

# ECO GLASS LLC

## SERIES S-3720 FIXED WINDOW

### INSTALLATION ANCHORAGE DETAILS

**GENERAL NOTES:**

1. THIS PRODUCT HAS BEEN EVALUATED TO COMPLY WITH THE CURRENT PROVISIONS OF THE FLORIDA BUILDING CODE (FBC) EXCLUDING THE HIGH VELOCITY HURRICANE ZONES (HVHZ) AND IS BASED ON TESTING CONDUCTED TO AAMA/WDMA/CSA 101/I.S.2/A440-08 DOCUMENTED IN TEST REPORT NO. AI-03642-A1 BY AIR-INS INC. (AN UL COMPANY).
2. ADEQUACY OF THE EXISTING STRUCTURAL CONCRETE, MASONRY AND 2X FRAMING AS A MAIN WIND FORCE RESISTING SYSTEM CAPABLE OF WITHSTANDING AND TRANSFERRING APPLIED PRODUCT LOADS TO THE FOUNDATION IS THE RESPONSIBILITY OF THE ENGINEER OR ARCHITECT OF RECORD FOR THE PROJECT OF INSTALLATION.
3. 1X BUCK OVER MASONRY AND/OR CONCRETE IS OPTIONAL. WHERE 1X BUCK IS NOT USED DISSIMILAR MATERIALS MUST BE SEPARATED WITH APPROVED COATING OR MEMBRANE. SELECTION OF COATING OR MEMBRANE IS THE RESPONSIBILITY OF THE ARCHITECT OR ENGINEER OF RECORD.
4. THE INSTALLATION DETAILS DESCRIBED HEREIN ARE GENERIC AND MAY NOT REFLECT ACTUAL CONDITIONS FOR A SPECIFIC SITE. IF THE INSTALLATION METHODS DEVIATE FROM THESE APPROVED DETAILS THIS WOULD REQUIRE FURTHER INVESTIGATION BY A LICENSED OR REGISTERED DESIGN PROFESSIONAL.
5. IN AREAS WHERE WINDBORNE DEBRIS PROTECTION REQUIREMENTS EXIST, USE OF AN IMPACT PROTECTIVE SYSTEM COMPLYING WITH THE FBC REQUIREMENTS FOR WINDBORNE DEBRIS REGIONS SHALL BE REQUIRED:
6. MATERIALS:
  - 6.1. FRAME: RIGID VINYL
7. GLAZING:
  - 7.1. INSULATING GLASS UNIT:
    - 7.1.1. GLAZING DETAIL A: 22.2 mm (0.87") O.A. COMPRISED OF 5MM (3/16") HS, AIR GAP 12.2MM (0.48")
    - 7.1.2. OVERALL (O.A.) THICKNESS AND AIR GAP CAN VARY BASED ON SPACER USED AND WILL NOT AFFECT GLAZING STRENGTH.
  - 7.2. FOR PRODUCTS SMALLER THAN THE TESTED SPECIMEN, GLAZING IS PERMITTED TO BE THINNER AND/OR WEAKER THAN THAT SHOWN IN GENERAL NOTE 7.1 IN ACCORDANCE WITH AAMA/WDMA/CSA 101/I.S.2/A440-08, SECTION 6.2.3.4.1.
  - 7.3. GLASS MEETS THE REQUIREMENTS OF ASTM E1300-12AE1.
8. PANEL OPERABILITY DESIGNATIONS:
  - 8.1. O = FIXED
9. PERIMETER AND JOINT SEALANT BY OTHERS TO BE DETAILED IN ACCORDANCE WITH THE FBC, RESIDENTIAL AND BUILDING VOLUMES AND WITH FMA/AAMA/WDMA PROTOCOLS. PERIMETER AND JOINT SEALANT IS SHOWN FOR ILLUSTRATIVE PURPOSES ONLY AND IS NOT PART OF THIS PRODUCT APPROVAL DOCUMENT.

**INSTALLATION NOTES:**

1. INSTALL ONE (1) ANCHOR AS INDICATED IN THE SECTION DETAILS ON SHEETS 4 THROUGH 7 AT EACH LOCATION SHOWN IN THE ELEVATION ON SHEET 2.
  - 1.1. LOCATION TOLERANCE IS +/- 1/2".
  - 1.2. FOR WINDOWS SMALLER THAN THAT SHOWN IN SHEET 2 ELEVATION, ANCHOR QUANTITIES CAN BE REDUCED WHILE MAINTAINING THE ANCHOR SPACING AND EDGE DISTANCE SHOWN.
2. SHIM AS REQUIRED AT EACH INSTALLATION ANCHOR WITH A LOAD BEARING SHIM. SHIM WHERE SPACE OF 1/16" OR GREATER OCCURS. MAXIMUM ALLOWABLE SHIM STACK TO BE 1/4".
3. SEE INSTALLATION ANCHOR SCHEDULE ON THIS SHEET FOR ANCHOR TYPE, EMBEDMENT AND EDGE DISTANCE REQUIREMENTS.
  - 3.1. INSTALLATION ANCHORS SHALL BE CORROSION RESISTANT OR HAVE CORROSION RESISTANT COATING.
  - 3.2. SEE INSTALLATION NOTE 4 FOR MINIMUM SUBSTRATE PROPERTIES.
4. INSTALLATION ANCHOR CAPACITIES FOR PRODUCTS HEREIN ARE BASED ON SUBSTRATE MATERIALS WITH THE FOLLOWING PROPERTIES:
  - 4.1. WOOD - MINIMUM SPECIFIC GRAVITY OF 0.42 (NON-HVHZ).
  - 4.2. CONCRETE - MINIMUM COMPRESSIVE STRENGTH OF 2500 PSI.
  - 4.3. MASONRY - STRENGTH CONFORMANCE TO ASTM C-90 MEDIUM WEIGHT WITH COMPRESSIVE STRENGTH OF 1900 psi (DENSITY > 117 PCF).
  - 4.4. STEEL STUD - STRENGTH CONFORMING TO MIN. Fu = 33 KSI AND Ft = 45 KSI. MINIMUM THICKNESS 20 GA.

PERFORMANCE RATING			
MAX. NOMINAL WINDOW SIZE (IN)	GLAZING DETAIL (SEE NOTE 7.1)	DESIGN PRESSURE (PSF)	IMPACT RATING
59 X 71	A	100	NONE

INSTALLATION ANCHORAGE SCHEDULE			
SUBSTRATE TYPE	ANCHOR TYPE	MIN. EMBED. (IN)	MIN. EDGE DIST. (IN)
WOOD (SG = 0.42 MIN.)	NO. 10 PAN HEAD WOOD SCREW, GR. 2 STRENGTH	1 3/8	3/4
CONCRETE (2.5 KSI MIN.)	3/16" HH ITW TAPCON	1 1/2	1 1/8
MASONRY (ASTM C-90 MEDIUM WEIGHT WITH COMPRESSIVE STRENGTH OF 1900 psi (DENSITY > 117 PCF))	3/16" HH ITW TAPCON	1	2
STEEL STUD, 20 GA OR GREATER THICKNESS, MIN. Fu = 33 ksi AND Ft = 45 ksi	NO. 10 SELF-DRILLING SHEET METAL SCREW	FULL THICKNESS OF MEMBER PLUS 3 FULL THREAD LENGTHS PAST INTERIOR	1/2

TABLE OF CONTENTS	
SHEET	DESCRIPTION
1	INSTALLATION AND GENERAL NOTES
2	EXTERIOR ELEVATION AND ANCHORAGE
3	INSTALLATION DETAILS A & B
4	VERTICAL SECTION A - THROUGH FRAME INSTALLATION
5	VERTICAL SECTION A - CLIP INSTALLATION
6	HORIZONTAL SECTION B - THROUGH FRAME INSTALLATION
7	HORIZONTAL SECTION B - CLIP INSTALLATION
8	BILL OF MATERIALS, COMPONENT CROSS-SECTIONS & CLIP

PROJECT NO. ACE-2020-106					

ECO GLASS, LLC  
144 HOPE STREET  
LONGWOOD, FL 32750

SERIES S-3720 FIXED WINDOW  
INSTALLATION AND GENERAL NOTES

DATE: 10/9/20  
DRAWING NO: ECOGLASS004  
SHEET: 1 OF 8

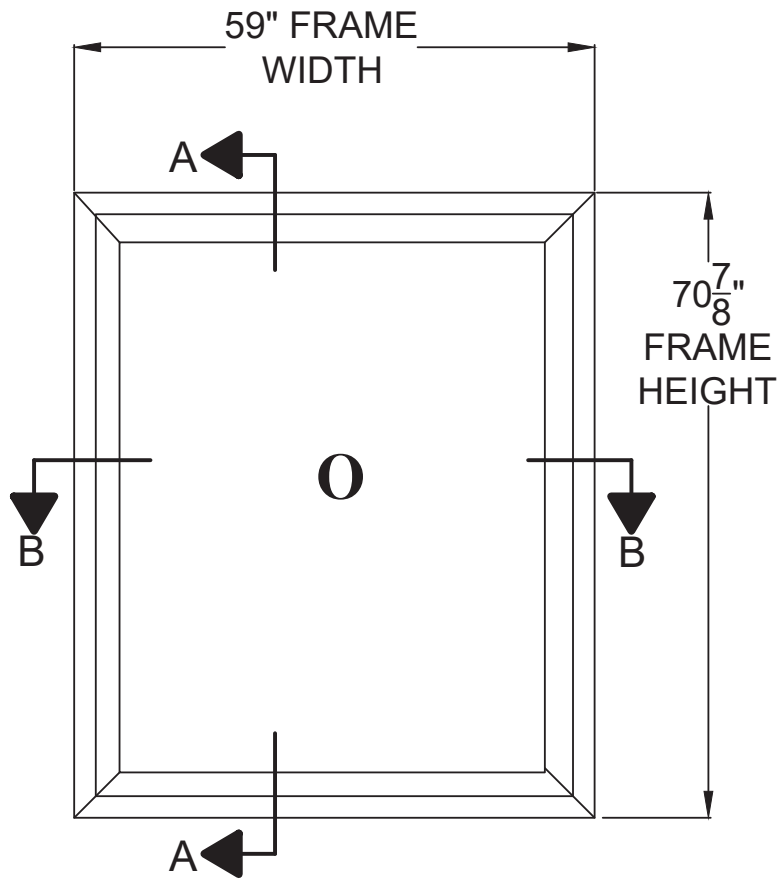
DRAWN BY: RJA  
SCALE: N.T.S.  
REV: ---

321-207-0507 | info@vk-ecoglass.com

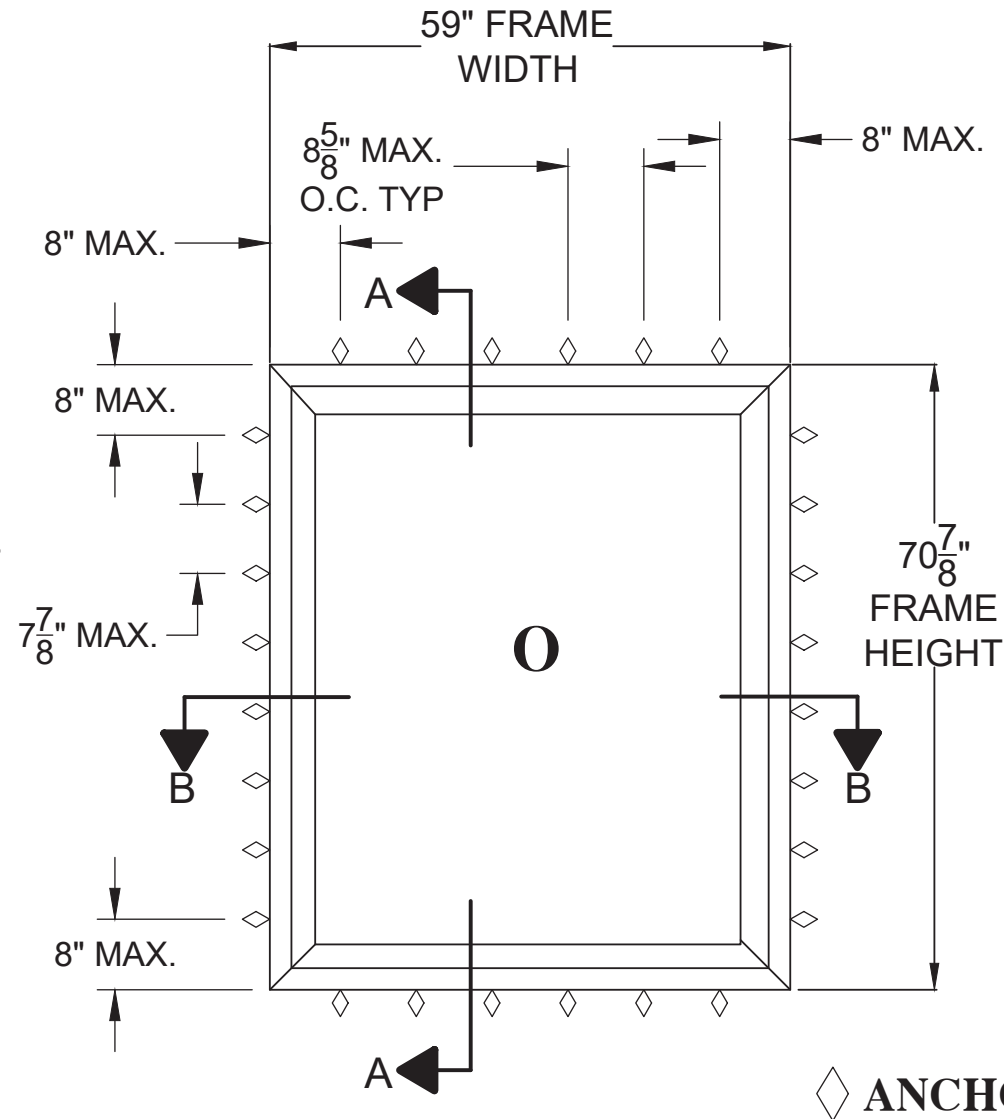
Robert J. Amoruso, P.E.  
Florida P.E. No. 49752

Digitally signed  
by Robert J  
Amoruso  
Date: 2020.10.12  
09:47:07 -04'00'

12472 LAKE UNDERHILL RD.  
SUITE NO. 148  
ORLANDO, FL 32828  
robert.amoruso@comcast.net

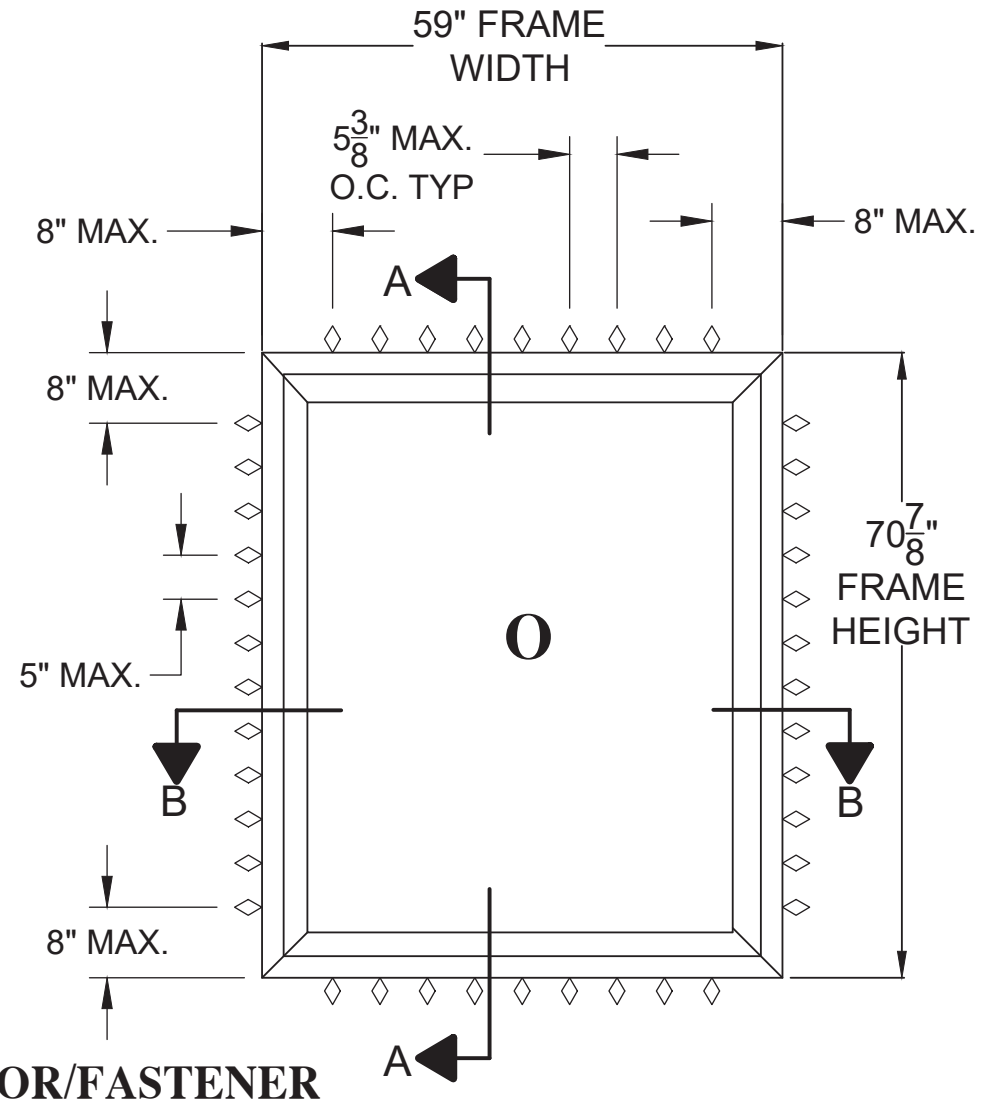


**SERIES S-3720 FIXED WINDOW**  
**NOMINAL 59 X 71**  
 EXTERIOR VIEW



**NOMINAL 59 X 71**  
**CLIP INSTALLATION UP TO 100 PSF**  
**DESIGN PRESSURE**

EXTERIOR VIEW



**NOMINAL 59 X 71**  
**BLOCK/EQUAL LEG THROUGH FRAME**  
**UP TO 100 PSF DESIGN PRESSURE**

EXTERIOR VIEW

MAXIMUM SIZES	
FRAME	59" X 70-7/8" (Nominal 59 X 71)
DLO	53.9" X 65.7"

PROJECT NO. ACE-2020-106					

ECO GLASS, LLC  
 144 HOPE STREET  
 LONGWOOD, FL 32750

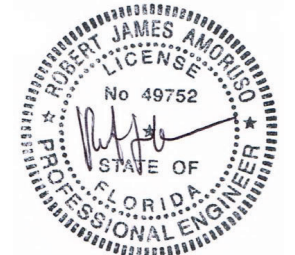
TITLE: EXTERIOR ELEVATION AND ANCHORAGE FOR 59 X 71 NOMINAL SIZE SERIES S-3720 FIXED WINDOW

DRAWN BY: RJA  
 SCALE: N.T.S.  
 REV: ---

DATE: 10/9/20  
 DRAWING NO: ECOGLASS004  
 SHEET: 2 OF 8

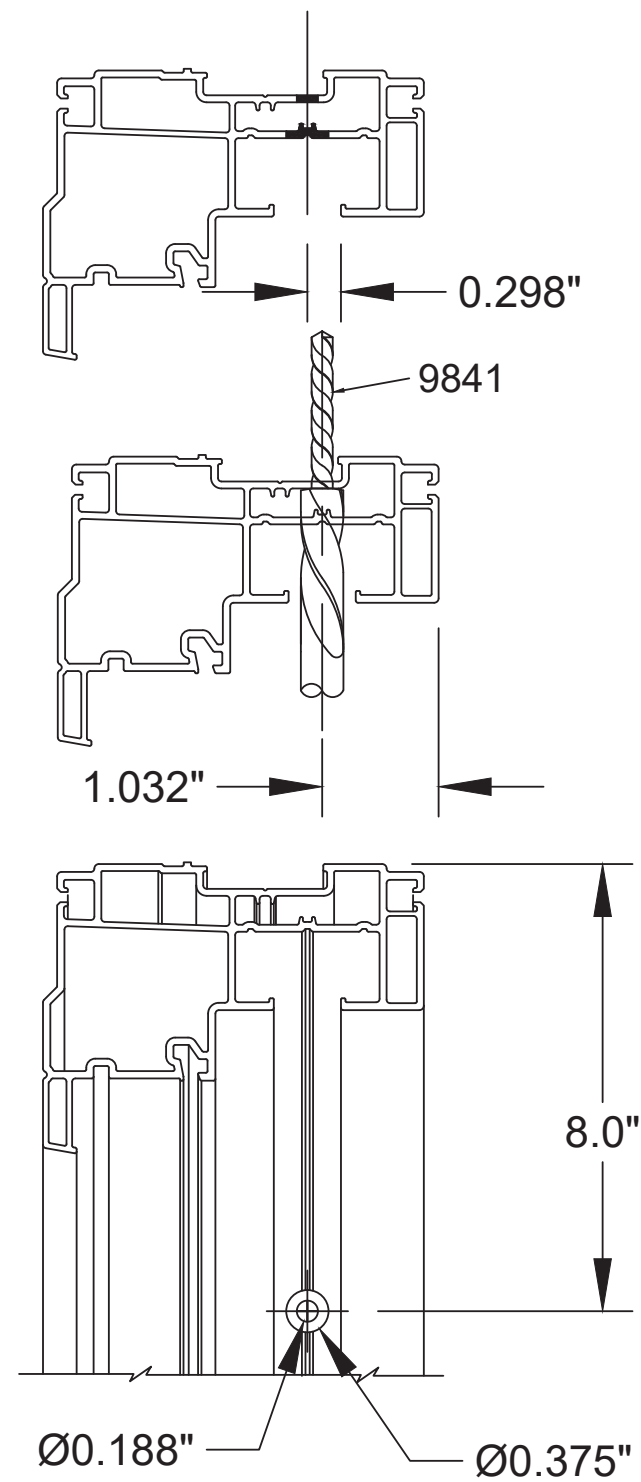
321-207-0507 | info@vk-ecoglass.com

Robert J. Amoruso, P.E.  
 Florida P.E. No. 49752

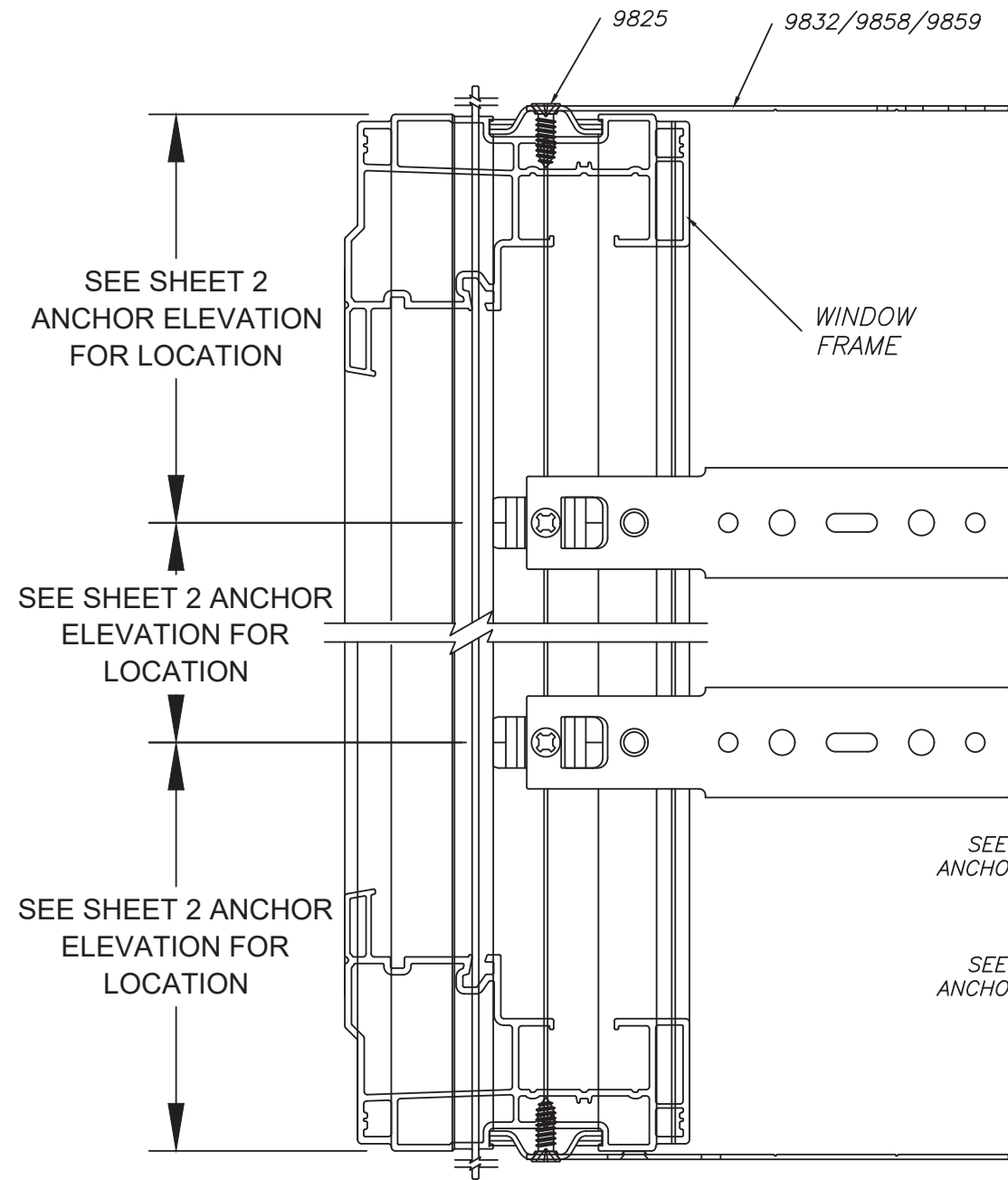


Digitally signed  
 by Robert J  
 Amoruso  
 Date: 2020.10.12  
 09:47:22 -04'00'

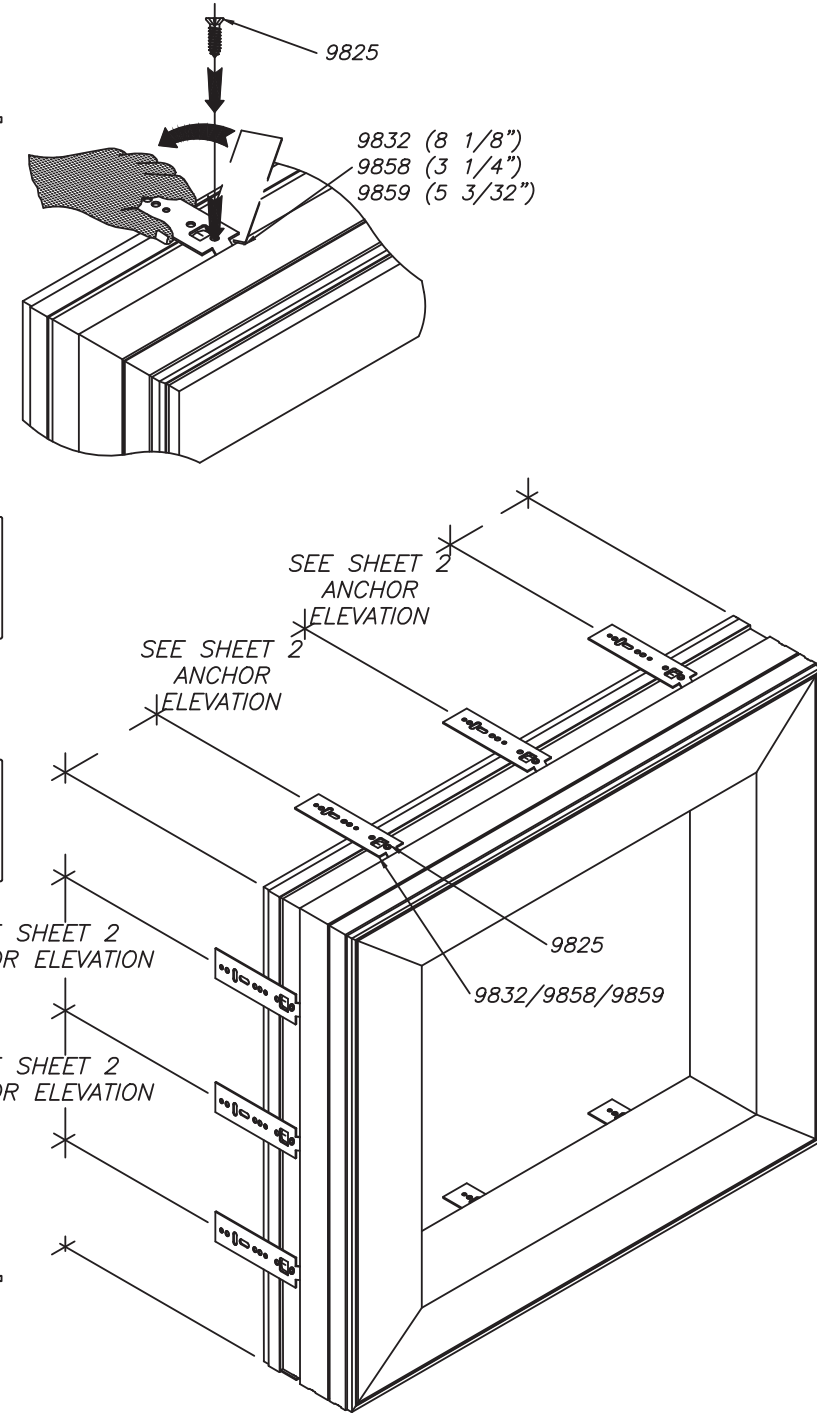
12472 LAKE UNDERHILL RD.  
 SUITE NO. 148  
 ORLANDO, FL 32828  
 robert.amoruso@comcast.net



**THROUGH-FRAME  
INSTALLATION DETAIL A**



**CLIP INSTALLATION DETAIL B**



PROJECT NO. ACE-2020-106

REV	DESCRIPTION	DATE	BY

ECO GLASS, LLC  
144 HOPE STREET  
LONGWOOD, FL 32750

SERIES S-3720 FIXED WINDOW  
INSTALLATION DETAILS A & B

DATE: 10/9/20  
DRAWING NO: ECOGLASS004  
SHEET: 3 OF 8

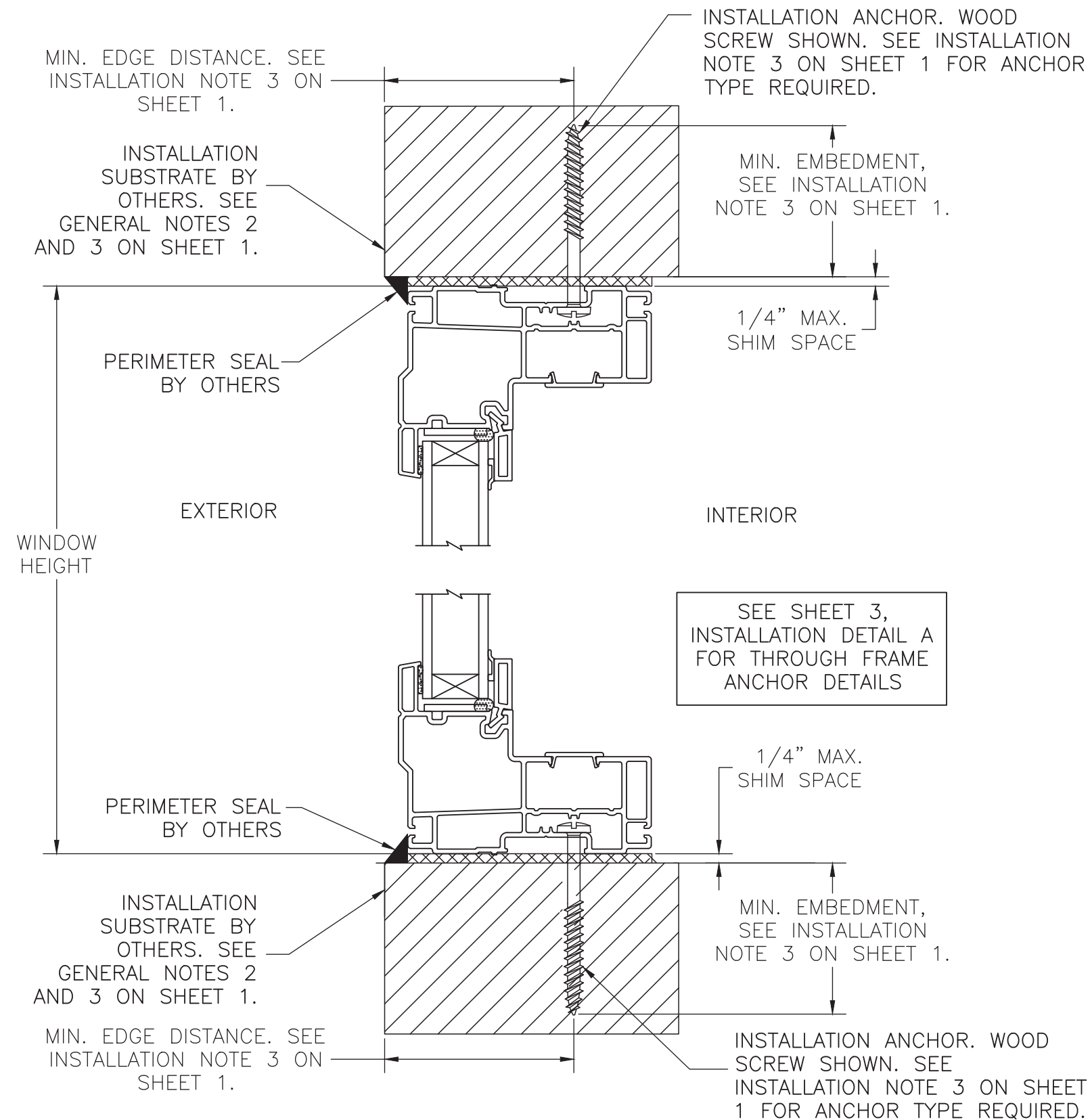
DRAWN BY: RJA  
SCALE: N.T.S.  
REV: ---

321-207-0507 | info@vkeccoglass.com

Robert J. Amoruso, P.E.  
Florida P.E. No. 49752

Digitally signed  
by Robert J  
Amoruso  
Date: 2020.10.12  
09:47:34 -04'00'

12472 LAKE UNDERHILL RD.  
SUITE NO. 148  
ORLANDO, FL 32828  
robert.amoruso@comcast.net



**VERTICAL CROSS SECTION A-A  
THROUGH FRAME INSTALLATION**

WOOD FRAMING, 2X WOOD BUCK,  
CONCRETE/MASONRY OR STEEL STUD APPROVED  
(CROSS SECTION B-B INSTALLATION SAME)

PROJECT NO. ACE-2020-106

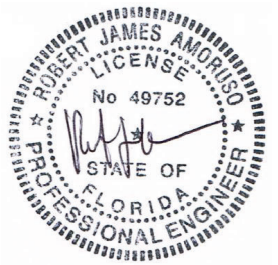
ECO GLASS, LLC  
144 HOPE STREET  
LONGWOOD, FL 32750

TITLE: VERTICAL SECTION A - THROUGH FRAME INSTALLATION

DRAWN BY: RJA  
DATE: 10/9/20  
SCALE: N.T.S.  
DRAWING NO: ECOGLASS004  
SHEET: 4 OF 8



Robert J. Amoruso, P.E.  
Florida P.E. No. 49752



Digitally signed  
by Robert J  
Amoruso

Date: 2020.10.12  
09:47:44 -04'00'

12472 LAKE UNDERHILL RD.  
SUITE NO. 148  
ORLANDO, FL 32828  
robert.amoruso@comcast.net

INSTALLATION ANCHOR. WOOD SCREW SHOWN. SEE INSTALLATION NOTE 3 ON SHEET 1 FOR ANCHOR TYPE REQUIRED.

MIN. EDGE DISTANCE. SEE INSTALLATION NOTE 3 ON SHEET 1.

INSTALLATION SUBSTRATE BY OTHERS. SEE GENERAL NOTES 2 AND 3 ON SHEET 1.

MIN. EMBEDMENT, SEE INSTALLATION NOTE 3 ON SHEET 1.

NOTE 1: INSTALLATION CLIP MAY BE TRIMMED TO ACCOMMODATE INTERIOR FINISHING.  
NOTE 2: INSTALLATION CLIP MAY BE BENT TO ACCOMMODATE INTERIOR FINISHING.

INSTALLATION SUBSTRATE BY OTHERS. SEE GENERAL NOTES 2 AND 3 ON SHEET 1.

PERIMETER SEAL BY OTHERS

1/4" MAX. SHIM SPACE  
9832/9858/9859 INSTALLATION CLIP

INSTALLATION ANCHOR. WOOD SCREW SHOWN. SEE INSTALLATION NOTE 3 ON SHEET 1 FOR ANCHOR TYPE REQUIRED.

MIN. EMBEDMENT, SEE INSTALLATION NOTE 3 ON SHEET 1.

MIN. EDGE DISTANCE. SEE INSTALLATION NOTE 3 ON SHEET 1.

EXTERIOR

INTERIOR

SEE SHEET 3, INSTALLATION DETAIL B FOR CLIP ANCHOR DETAILS

INSTALLATION ANCHOR. WOOD SCREW SHOWN. SEE INSTALLATION NOTE 3 ON SHEET 1 FOR ANCHOR TYPE REQUIRED.

PERIMETER SEAL BY OTHERS

1/4" MAX. SHIM SPACE

PERIMETER SEAL BY OTHERS

9832/9858/9859 INSTALLATION CLIP  
1/4" MAX. SHIM SPACE

9832/9858/9859 INSTALLATION CLIP

INSTALLATION SUBSTRATE BY OTHERS. SEE GENERAL NOTES 2 AND 3 ON SHEET 1.

MIN. EMBEDMENT, SEE INSTALLATION NOTE 3 ON SHEET 1.

MIN. EDGE DISTANCE. SEE INSTALLATION NOTE 3 ON SHEET 1.

**VERTICAL CROSS SECTION A-A  
ALTERNATE CLIP INSTALLATION  
(HEAD SHOWN, SILL SAME)**  
WOOD FRAMING, 2X WOOD BUCK OR STEEL STUD APPROVED (CONCRETE/MASONRY NOT RECOMMENDED)  
(CROSS SECTION B-B INSTALLATION SAME)  
(SEE NOTE 1 & 2 THIS SHEET)

**VERTICAL CROSS SECTION A-A  
CLIP INSTALLATION**

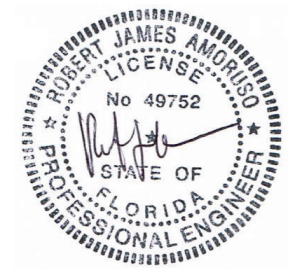
WOOD FRAMING, 2X WOOD BUCK,  
CONCRETE/MASONRY OR STEEL STUD APPROVED  
(CROSS SECTION B-B INSTALLATION SAME)  
(SEE NOTE 1 THIS SHEET)

WINDOW HEIGHT

PROJECT NO. ACE-2020-106

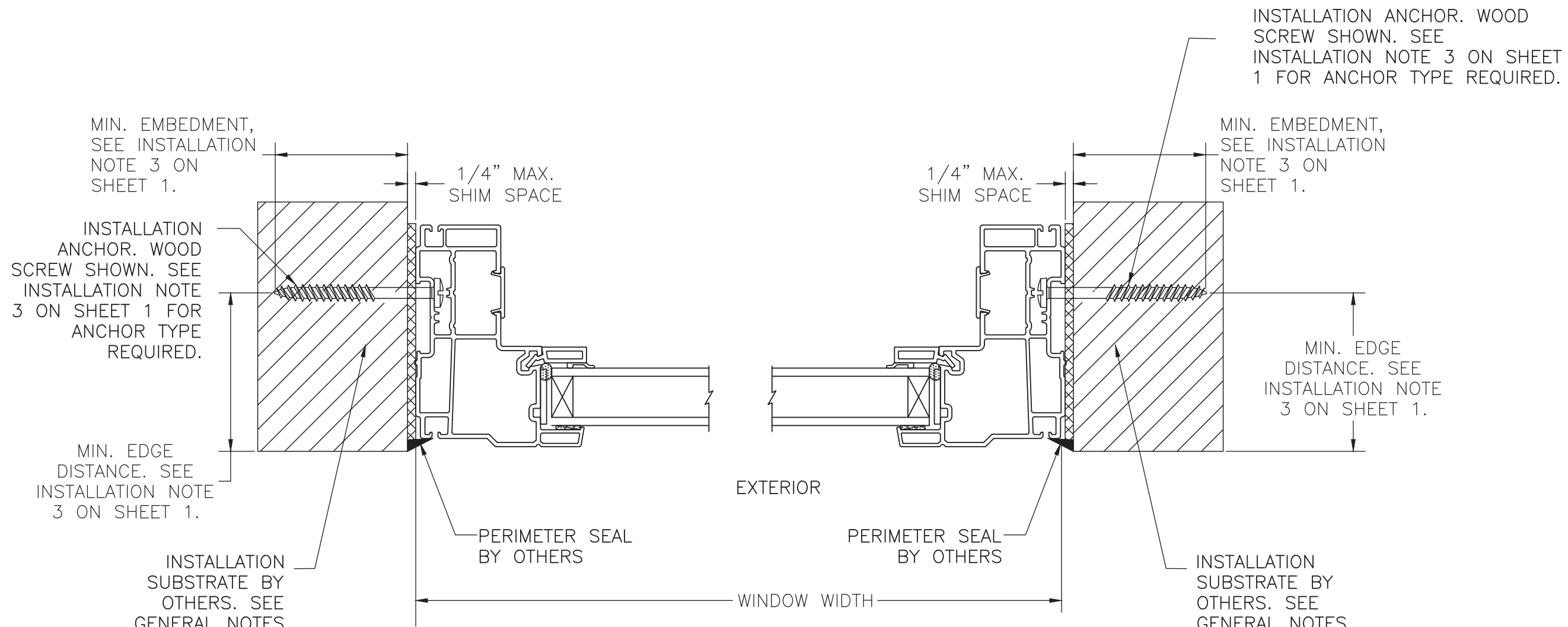
ECO GLASS, LLC 144 HOPE STREET LONGWOOD, FL 32750		DATE: 10/9/20	DRAWING NO: ECOGLASS004	REV: 5 OF 8
SERIES S-3720 FIXED WINDOW VERTICAL SECTION A - CLIP INSTALLATION		DRAWN BY: RJA	SCALE: N.T.S.	SHEET: 5 OF 8
TITEL:		REV: ---	REV: ---	REV: ---

Robert J. Amoruso, P.E.  
Florida P.E. No. 49752



Digitally signed  
by Robert J  
Amoruso  
Date: 2020.10.12  
09:47:56 -04'00'

12472 LAKE UNDERHILL RD.  
SUITE NO. 148  
ORLANDO, FL 32828  
robert.amoruso@comcast.net



SEE SHEET 3, INSTALLATION DETAIL A FOR THROUGH FRAME ANCHOR DETAILS

**HORIZONTAL CROSS SECTION C-C**  
WOOD FRAMING, 2X WOOD BUCK,  
CONCRETE/MASONRY OR STEEL STUD APPROVED

PROJECT NO. ACE-2020-106				

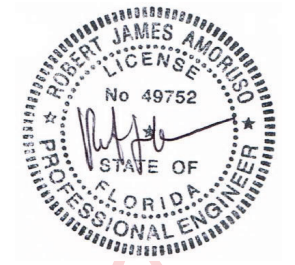
ECO GLASS, LLC  
144 HOPE STREET  
LONGWOOD, FL 32750

TITLE: HORIZONTAL SECTION C - THROUGH FRAME INSTALLATION

DRAWN BY: RJA  
DATE: 10/9/20  
SCALE: N.T.S.  
DRAWING NO: ECOGLASS004  
SHEET: 6 OF 8

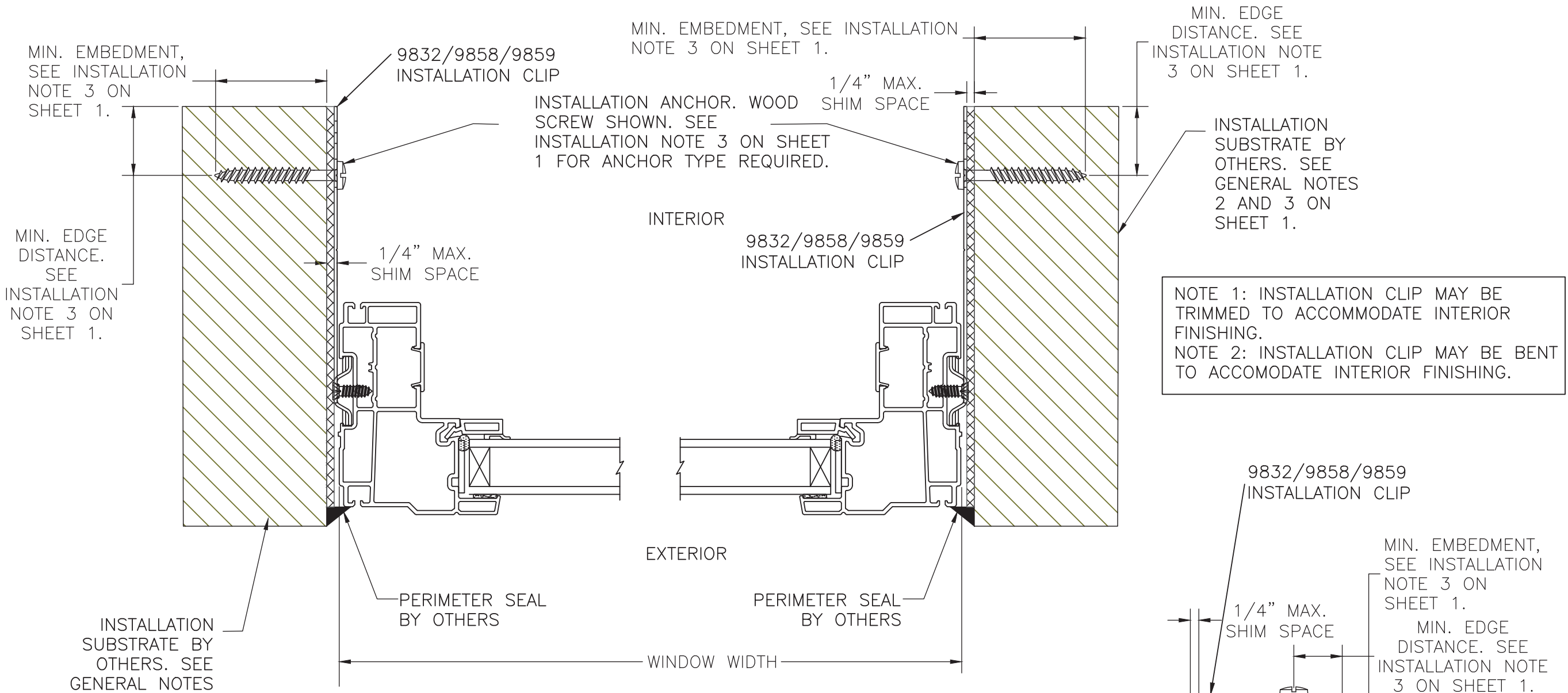
321-207-0507 | info@vke-ecoglass.com

Robert J. Amoruso, P.E.  
Florida P.E. No. 49752



Digitally signed  
by Robert J  
Amoruso  
Date: 2020.10.12  
09:48:07 -04'00'

12472 LAKE UNDERHILL RD.  
SUITE NO. 148  
ORLANDO, FL 32828  
robert.amoruso@comcast.net



**HORIZONTAL CROSS SECTION C-C**  
WOOD FRAMING, 2X WOOD BUCK,  
CONCRETE/MASONRY OR STEEL STUD APPROVED

**HORIZONTAL CROSS SECTION C-C**  
**ALTERNATE CLIP INSTALLATION**  
**(RIGHT JAMB SHOWN, LEFT JAMB SAME)**  
WOOD FRAMING, 2X WOOD BUCK OR STEEL STUD  
APPROVED (CONCRETE/MASONRY NOT RECOMMENDED)  
(SEE NOTE 1 & 2 THIS SHEET)

NOTE 1: INSTALLATION CLIP MAY BE TRIMMED TO ACCOMMODATE INTERIOR FINISHING.  
NOTE 2: INSTALLATION CLIP MAY BE BENT TO ACCOMMODATE INTERIOR FINISHING.

SEE SHEET 3,  
INSTALLATION DETAIL  
B FOR CLIP ANCHOR  
DETAILS

MIN. EMBEDMENT,  
SEE INSTALLATION  
NOTE 3 ON  
SHEET 1.  
MIN. EDGE  
DISTANCE. SEE  
INSTALLATION  
NOTE 3 ON  
SHEET 1.

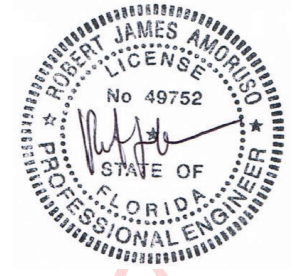
INSTALLATION ANCHOR.  
WOOD SCREW SHOWN.  
SEE INSTALLATION  
NOTE 3 ON SHEET 1  
FOR ANCHOR TYPE  
REQUIRED.  
INSTALLATION  
SUBSTRATE BY  
OTHERS. SEE  
GENERAL NOTES  
2 AND 3 ON  
SHEET 1.

PROJECT NO. ACE-2020-106								

ECO GLASS, LLC 144 HOPE STREET LONGWOOD, FL 32750 SERIES S-3720 FIXED WINDOW HORIZONTAL SECTION C - CLIP INSTALLATION	DATE:	10/9/20	DRAWING NO.:	ECOGLOSS004	SHEET:	7 OF 8
	DRAWN BY:	RJA	SCALE:	N.T.S.	REV:	---



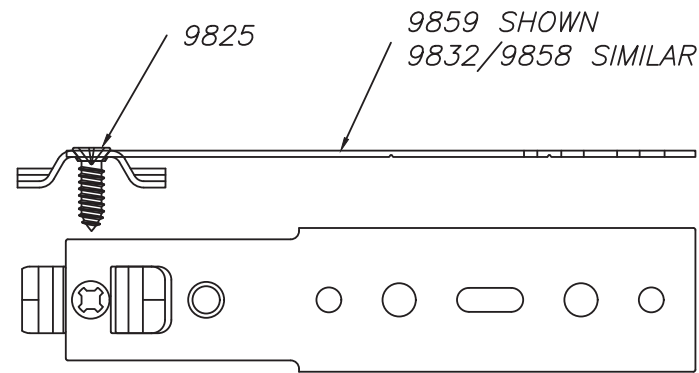
Robert J. Amoruso, P.E.  
Florida P.E. No. 49752



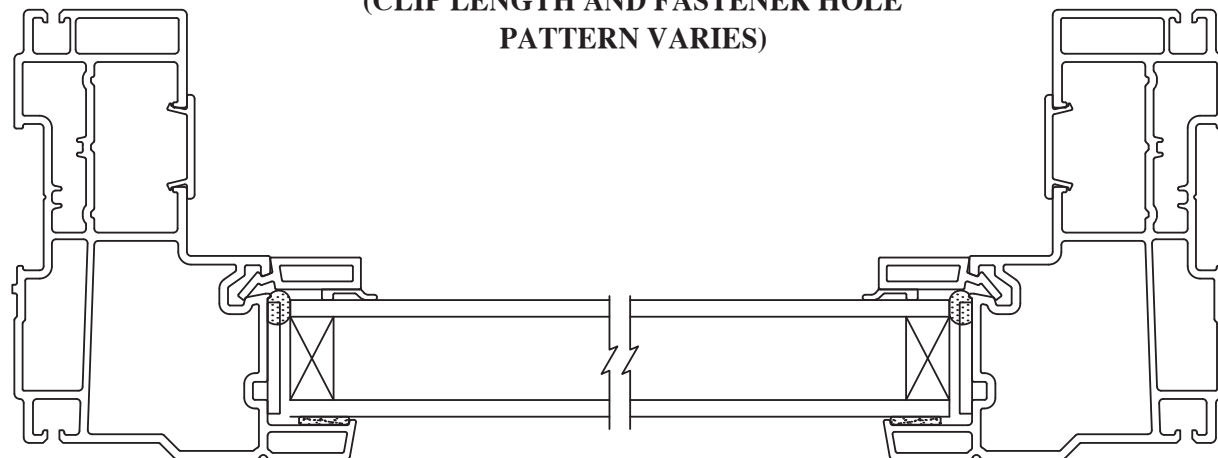
Digitally signed  
by Robert J  
Amoruso  
Date: 2020.10.12  
09:48:19 -04'00'

12472 LAKE UNDERHILL RD.  
SUITE NO. 148  
ORLANDO, FL 32828  
robert.amoruso@comcast.net

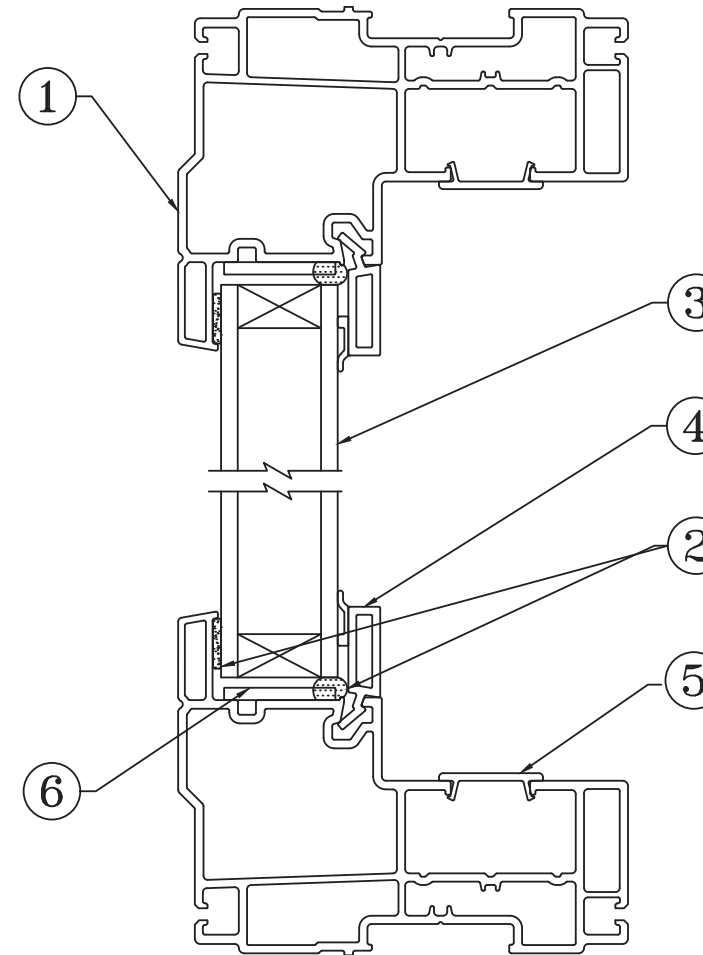
Item	PART No.	ITEM DESCRIPTION	MANUFACTURERS
1	3723	Main frame	P.H. Tech
2		Sealant	Various
3		Glass	Various
4	5800, 5801, 5803, 5804	Glazing bead	P.H. Tech
5	5827	Covering cap	P.H. Tech
6	9828	Setting block	P.H. Tech



**INSTALLATION CLIP**  
**9859 SHOWN**  
**9832 & 9858 SIMILAR**  
 (CLIP LENGTH AND FASTENER HOLE  
 PATTERN VARIES)



**HORIZONTAL  
 CROSS SECTION B-B**



**VERTICAL CROSS  
 SECTION A-A**

PROJECT NO. ACE-2020-106

ECO GLASS, LLC  
 144 HOPE STREET  
 LONGWOOD, FL 32750  
 SERIES S-3720 FIXED WINDOW  
 BILL OF MATERIALS & COMPONENT CROSS-SECTIONS

TITLE: ECOGLASS004  
 DRAWN BY: RJA  
 DATE: 10/9/20  
 SCALE: N.T.S.  
 SHEET: 8 OF 8  
 REV: ---



Robert J. Amoruso, P.E.  
 Florida P.E. No. 49752



Digitally signed  
 by Robert J  
 Amoruso  
 Date: 2020.10.12  
 09:48:30 -04'00'

12472 LAKE UNDERHILL RD.  
 SUITE NO. 148  
 ORLANDO, FL 32828  
 robert.amoruso@comcast.net