

ECO GLASS LLC

SERIES "NOVA" SINGLE HUNG WINDOW

INSTALLATION ANCHORAGE DETAILS

GENERAL NOTES:

1. THIS PRODUCT HAS BEEN EVALUATED TO COMPLY WITH THE CURRENT PROVISIONS OF THE FLORIDA BUILDING CODE (FBC) EXCLUDING THE HIGH VELOCITY HURRICANE ZONES (HVHZ) AND IS BASED ON TESTING CONDUCTED TO AAMA/WDMA/CSA 101/I.S.2/A440-17 DOCUMENTED IN TEST REPORT NO. T21-067 BY FENESTRATION TESTING LABORATORY, INC.
2. ADEQUACY OF THE EXISTING STRUCTURAL CONCRETE, MASONRY AND 2X FRAMING AS A MAIN WIND FORCE RESISTING SYSTEM CAPABLE OF WITHSTANDING AND TRANSFERRING APPLIED PRODUCT LOADS TO THE FOUNDATION IS THE RESPONSIBILITY OF THE ENGINEER OR ARCHITECT OF RECORD FOR THE PROJECT OF INSTALLATION.
3. 1X BUCK OVER MASONRY AND/OR CONCRETE IS OPTIONAL. WHERE 1X BUCK IS NOT USED DISSIMILAR MATERIALS MUST BE SEPARATED WITH APPROVED COATING OR MEMBRANE. SELECTION OF COATING OR MEMBRANE IS THE RESPONSIBILITY OF THE ARCHITECT OR ENGINEER OF RECORD.
4. THE INSTALLATION DETAILS DESCRIBED HEREIN ARE GENERIC AND MAY NOT REFLECT ACTUAL CONDITIONS FOR A SPECIFIC SITE. IF THE INSTALLATION METHODS DEVIATE FROM THESE APPROVED DETAILS THIS WOULD REQUIRE FURTHER INVESTIGATION BY A LICENSED OR REGISTERED DESIGN PROFESSIONAL.
5. IN AREAS WHERE WINDBORNE DEBRIS PROTECTION REQUIREMENTS EXIST, USE OF AN IMPACT PROTECTIVE SYSTEM COMPLYING WITH THE FBC REQUIREMENTS FOR WINDBORNE DEBRIS REGIONS SHALL BE REQUIRED:
6. MATERIALS:
 - 6.1. FRAME: RIGID VINYL
7. GLAZING:
 - 7.1. INSULATING GLASS UNIT 19 MM (0.75") O.A. THICKNESS
 - 7.1.1. SASH AND FIXED GLAZING CONFIGURATION
 - 7.1.1.1. GLASS THICKNESS 3MM (1/8") ANNEALED
 - 7.1.1.2. AIR GAP 13 MM (0.512")
 - 7.1.2. GLAZING METHOD
 - 7.1.2.1. OUTSIDE GLAZED: DOUBLE-SIDED ADHESIVE FOAM TAPE. SETTING BLOCK 1/8" HIGH WERE SET AT QUARTER POINTS ON THE BOTTOM OF EACH IGU. PVC SNAP-IN GLAZING STOP APPLIED FULL PERIMETER ON THE OUTSIDE OF THE IGU.
 - 7.1.3. OVERALL (O.A.) THICKNESS AND AIR GAP CAN VARY BASED ON SPACER USED AND WILL NOT AFFECT GLAZING STRENGTH.
 - 7.2. FOR PRODUCTS SMALLER THAN THE TESTED SPECIMEN, GLAZING IS PERMITTED TO BE THINNER AND/OR WEAKER THAN THAT SHOWN IN GENERAL NOTE 7.1 IN ACCORDANCE WITH AAMA/WDMA/CSA 101/I.S.2/A440-17, SECTION 10.2.3.3.1.
 - 7.2.1. IN ACCORDANCE WITH AAMA/WDMA/CSA 101/I.S.2/A440-17, SECTION 10.2.3.4.1, PRODUCTS TESTED WITH INSULATING GLAZING SHALL NOT QUALIFY THAT PRODUCT WHEN GLAZED WITH SINGLE GLAZING.
 - 7.3. GLASS MEETS THE REQUIREMENTS OF ASTM E1300-12AE1.
8. PANEL OPERABILITY DESIGNATIONS: X = OPERABLE AND O = FIXED
9. PERIMETER AND JOINT SEALANT BY OTHERS TO BE DETAILED IN ACCORDANCE WITH THE FBC, RESIDENTIAL AND BUILDING VOLUMES AND WITH FMA/AAMA/WDMA PROTOCOLS. PERIMETER AND JOINT SEALANT IS SHOWN FOR ILLUSTRATIVE PURPOSES ONLY AND IS NOT PART OF THIS PRODUCT APPROVAL DOCUMENT.

INSTALLATION NOTES:

1. INSTALL ONE (1) ANCHOR AS INDICATED IN THE SECTION DETAILS ON SHEETS 3 AND 4 AT EACH LOCATION SHOWN IN THE ELEVATION ON SHEET 2.
 - 1.1. LOCATION TOLERANCE IS +/- 1/2". AT MEETING RAIL, ANCHOR LOCATION TOLERANCE IS +/- 1" AS NEEDED.
 - 1.2. FOR WINDOWS SMALLER THAN THAT SHOWN IN SHEET 2 ELEVATION, ANCHOR QUANTITIES CAN BE REDUCED WHILE MAINTAINING THE ANCHOR SPACING AND EDGE DISTANCE SHOWN.
2. SHIM AS REQUIRED AT EACH INSTALLATION ANCHOR WITH A LOAD BEARING SHIM. SHIM WHERE SPACE OF 1/16" OR GREATER OCCURS. MAXIMUM ALLOWABLE SHIM STACK TO BE 1/4".
3. SEE INSTALLATION ANCHOR SCHEDULE ON THIS SHEET FOR ANCHOR TYPE, EMBEDMENT AND EDGE DISTANCE REQUIREMENTS.
 - 3.1. INSTALLATION ANCHORS SHALL BE CORROSION RESISTANT OR HAVE CORROSION RESISTANT COATING.
 - 3.2. SEE INSTALLATION NOTE 4 FOR MINIMUM SUBSTRATE PROPERTIES.
4. INSTALLATION ANCHOR CAPACITIES FOR PRODUCTS HEREIN ARE BASED ON SUBSTRATE MATERIALS WITH THE FOLLOWING PROPERTIES:
 - 4.1. WOOD - MINIMUM SPECIFIC GRAVITY OF 0.42 (NON-HVHZ).
 - 4.2. CONCRETE - MINIMUM COMPRESSIVE STRENGTH OF 2500 PSI.
 - 4.3. MASONRY - STRENGTH CONFORMANCE TO ASTM C-90 MEDIUM WEIGHT WITH COMPRESSIVE STRENGTH OF 1900 psi (DENSITY > 117 PCF).
 - 4.4. STEEL STUD - STRENGTH CONFORMING TO MIN. Fu = 33 KSI AND Ft = 45 KSI. MINIMUM THICKNESS 20 GA.

TABLE OF CONTENTS	
SHEET	DESCRIPTION
1	INSTALLATION AND GENERAL NOTES
2	EXTERIOR ELEVATION AND ANCHORAGE
3	VERTICAL & HORIZONTAL SECTIONS - NAILING FIN FRAME INSTALLATION
4	VERTICAL & HORIZONTAL SECTIONS - THROUGH FRAME INSTALLATION
5	COMPONENTS - BILL OF MATERIALS & ELEVATION
6	COMPONENTS - HORIZONTAL AND VERTICAL SECTIONS

PERFORMANCE RATING		
MAXIMUM WINDOW SIZE (IN)	DESIGN PRESSURE RATING (PSF)	IMPACT RATING
52 X 72	35	NONE

INSTALLATION ANCHORAGE SCHEDULE			
SUBSTRATE TYPE	ANCHOR TYPE	MIN. EMBED. (IN)	MIN. EDGE DIST. (IN)
WOOD (SG = 0.42 MIN.)	NO. 10 PAN HEAD WOOD SCREW, GR. 2 STRENGTH	1 3/8	3/4
CONCRETE (2.5 KSI MIN.)	3/16" HH ITW TAPCON	1 1/2	1 1/8
MASONRY (ASTM C-90 MEDIUM WEIGHT WITH COMPRESSIVE STRENGTH OF 1900 psi (DENSITY > 117 PCF)	3/16" HH ITW TAPCON	1	2
STEEL STUD, 20 GA OR GREATER THICKNESS, MIN. Fu = 33 ksi AND Ft = 45 ksi	NO. 10 SELF-DRILLING SHEET METAL SCREW	FULL THICKNESS OF MEMBER PLUS 3 FULL THREAD LENGTHS PAST INTERIOR	1/2

PROJECT NO. ACE-2021-118								BY
								DATE
								DESCRIPTION
								REV

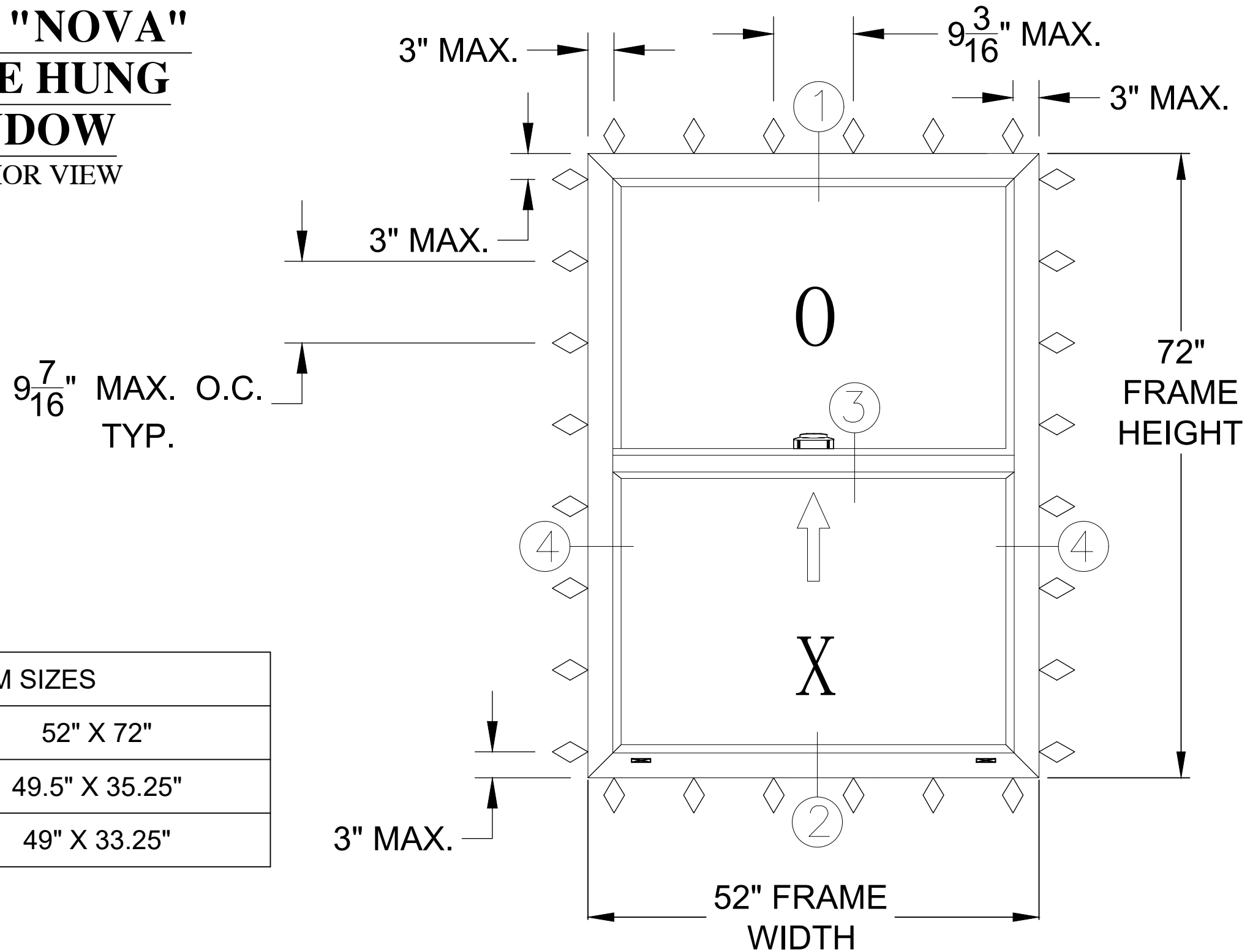
ECO GLASS, LLC
 144 HOPE STREET
 LONGWOOD, FL 32750
 TITLE: SERIES "NOVA" SINGLE HUNG WINDOW
 INSTALLATION AND GENERAL NOTES
 DRAWN BY: RJA
 DATE: 7/23/21
 SCALE: N.T.S.
 DRAWING NO: ECOGLASS014
 SHEET: 1 OF 6
 REV: ---

321-207-0507 | info@vk-ecoglass.com

Robert J. Amoruso, P.E.
 Florida P.E. No. 49752

 734 S Center St.
 Ormond Beach, FL 32174
 rjaengpe@gmail.com

**SERIES "NOVA"
SINGLE HUNG
WINDOW**
EXTERIOR VIEW



PROJECT NO. ACE-2021-118

ECO GLASS, LLC
144 HOPE STREET
LONGWOOD, FL 32750

TITLE: SERIES "NOVA" SINGLE HUNG WINDOW
EXTERIOR ELEVATION AND ANCHORAGE



321-207-0507 | info@vk-ecoglass.com

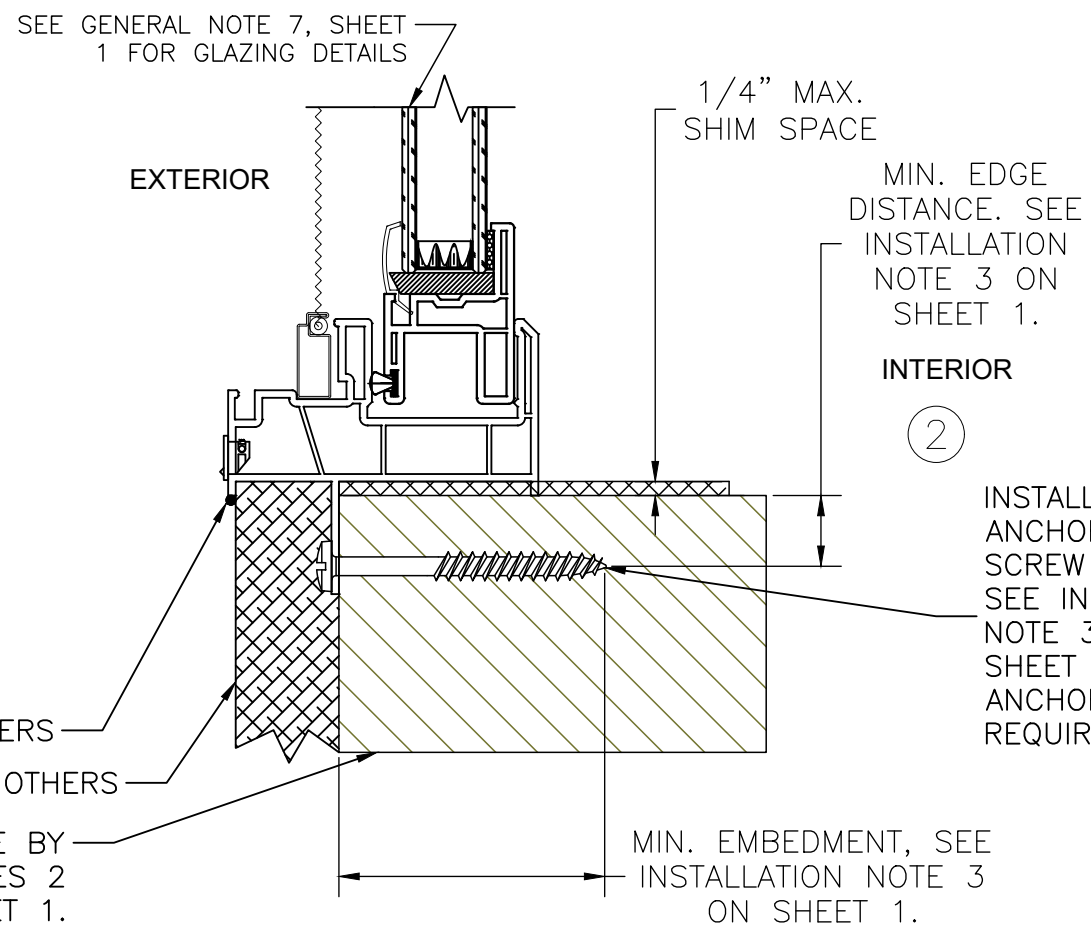
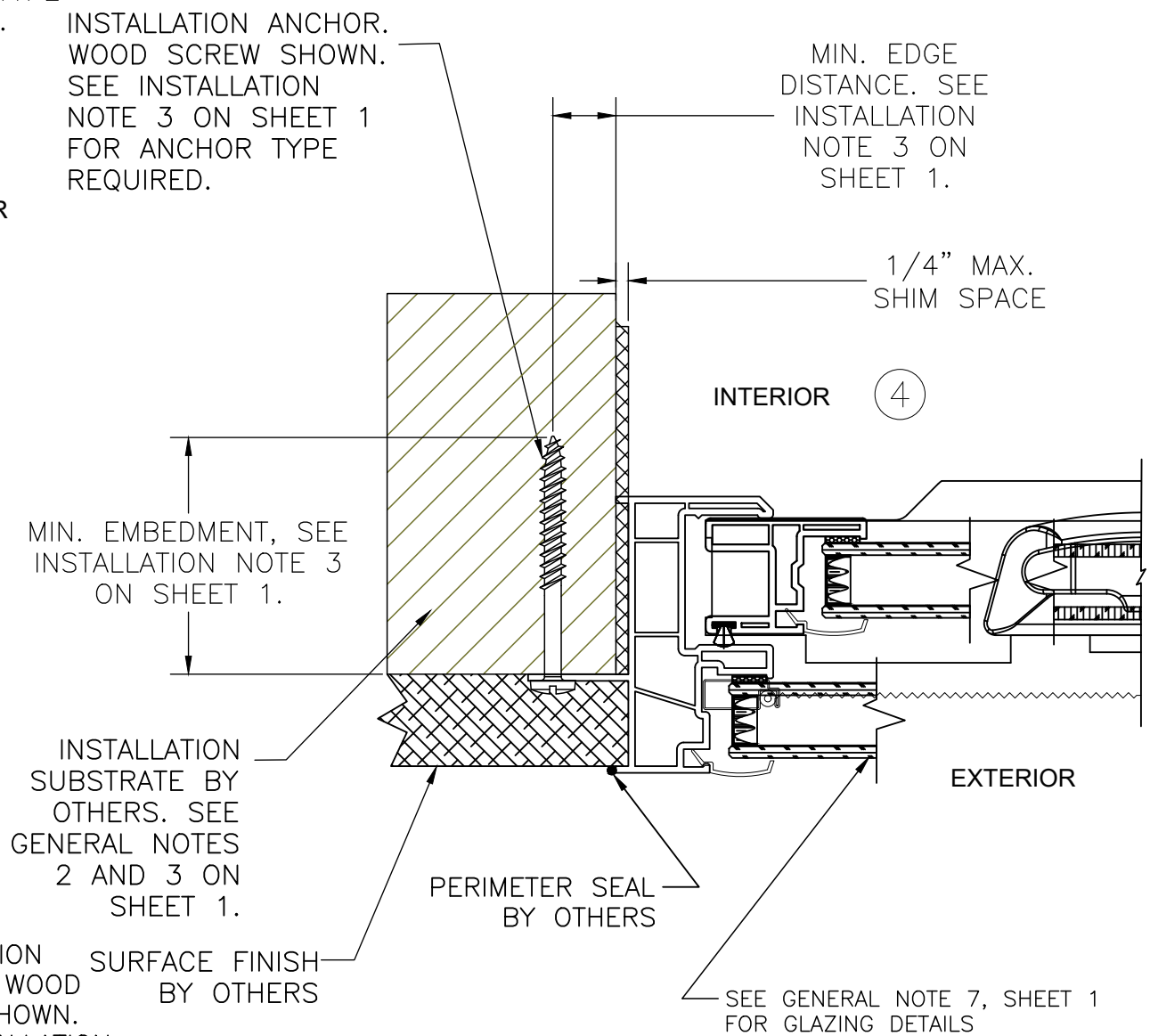
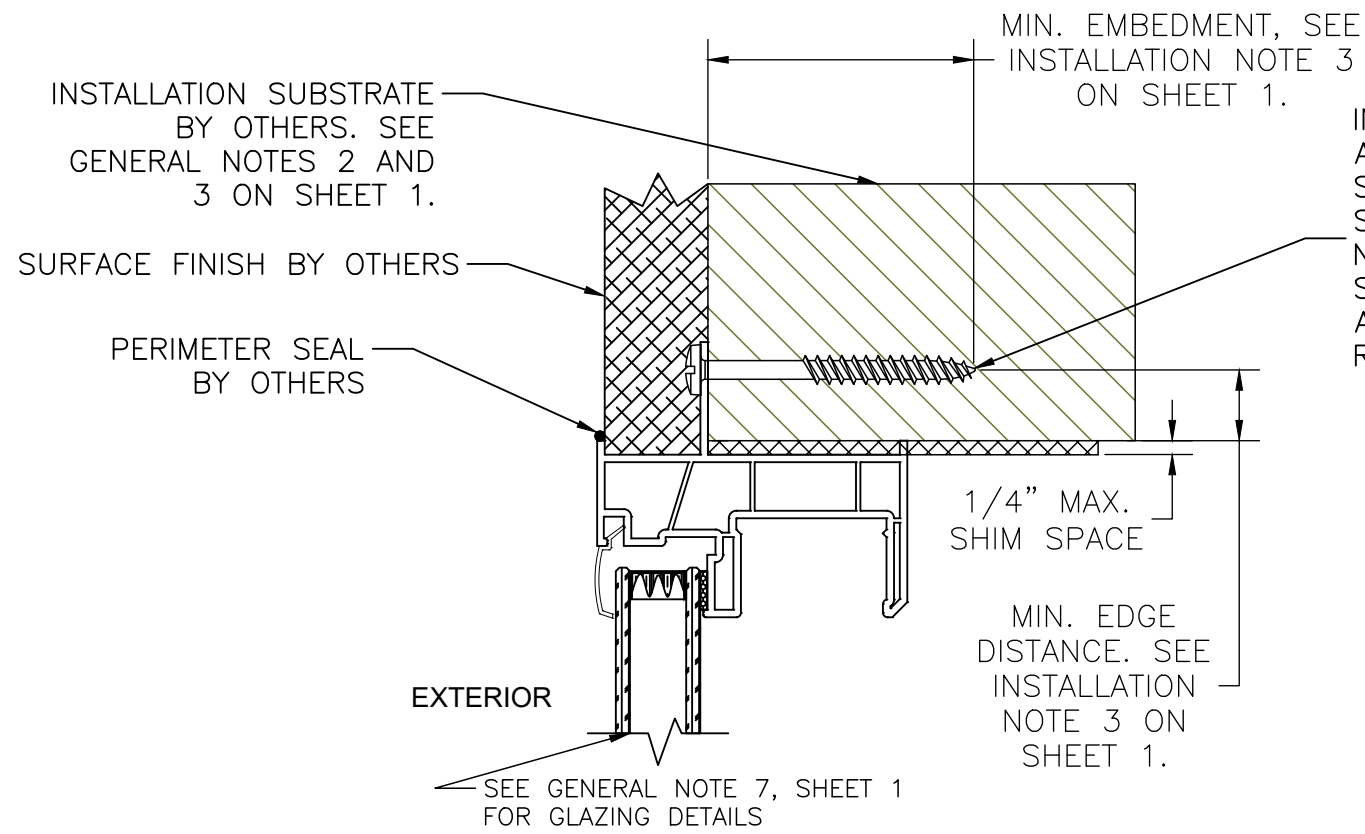
DRAWN BY: RJA
DATE: 7/23/21
SCALE: N.T.S.
SHEET: 2 OF 6

REV	DESCRIPTION	DATE	BY

Robert J. Amoruso, P.E.
Florida P.E. No. 49752

734 S Center St.
Ormond Beach, FL 32174
rjaengpe@gmail.com

VERTICAL & HORIZONTAL CROSS SECTIONS
NAILING FIN FRAME INSTALLATION
 WOOD FRAMING AND 2X WOOD BUCK



PROJECT NO. ACE-2021-118

ECO GLASS, LLC
 144 HOPE STREET
 LONGWOOD, FL 32750

TITLE: SERIES "NOVA" SINGLE HUNG WINDOW
 VERTICAL & HORIZONTAL SECTIONS - NAILING FIN FRAME INSTALLATION

DATE:	7/23/21
DRAWN BY:	RJA
SCALE:	N.T.S.
DRAWING NO.:	ECOGLOSS014
SHEET:	3 OF 6
REV:	---

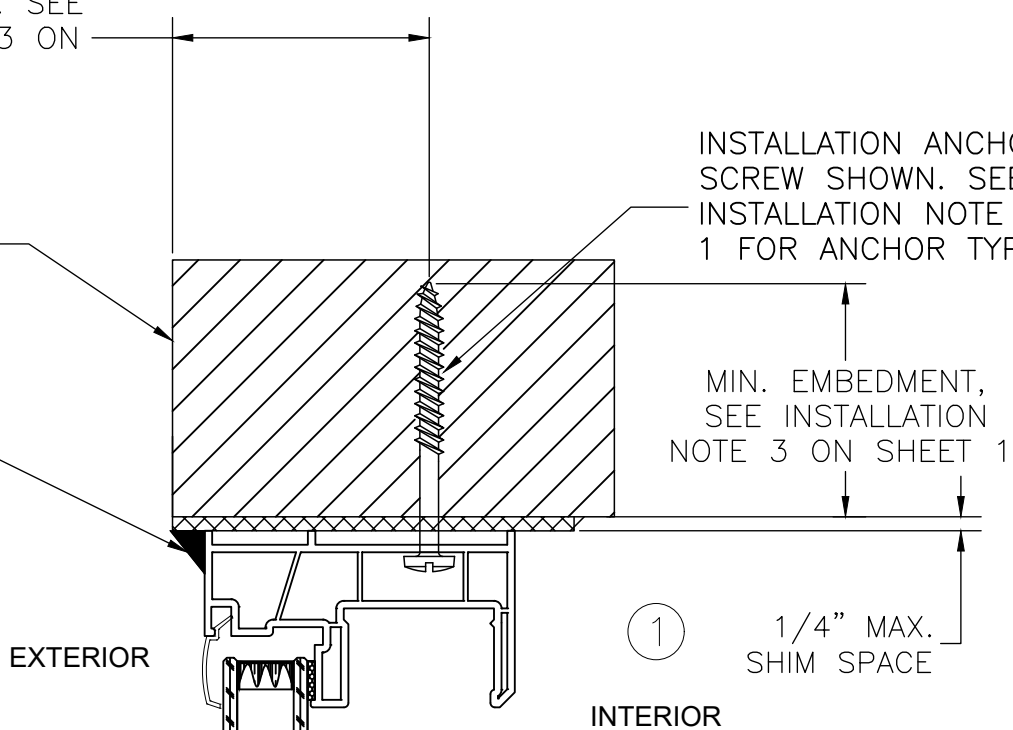
Robert J. Amoruso, P.E.
 Florida P.E. No. 49752

734 S Center St.
 Ormond Beach, FL 32174
 rjaengpe@gmail.com

MIN. EDGE DISTANCE. SEE INSTALLATION NOTE 3 ON SHEET 1.

INSTALLATION SUBSTRATE BY OTHERS. SEE GENERAL NOTES 2 AND 3 ON SHEET 1.

PERIMETER SEAL BY OTHERS



SEE GENERAL NOTE 7, SHEET 1 FOR GLAZING DETAILS

EXTERIOR

INTERIOR

①

1/4" MAX. SHIM SPACE

MIN. EMBEDMENT, SEE INSTALLATION NOTE 3 ON SHEET 1.

INSTALLATION ANCHOR. WOOD SCREW SHOWN. SEE INSTALLATION NOTE 3 ON SHEET 1 FOR ANCHOR TYPE REQUIRED.

VERTICAL & HORIZONTAL CROSS SECTIONS THROUGH FRAME INSTALLATION

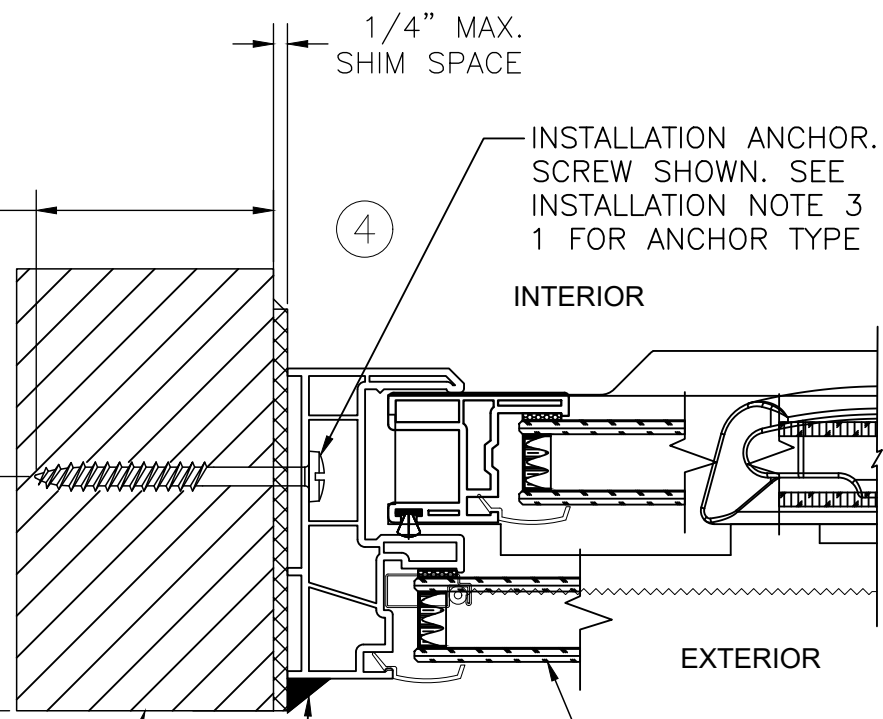
WOOD FRAMING AND 2X WOOD BUCK

MIN. EMBEDMENT, SEE INSTALLATION NOTE 3 ON SHEET 1.

MIN. EDGE DISTANCE. SEE INSTALLATION NOTE 3 ON SHEET 1.

INSTALLATION SUBSTRATE BY OTHERS. SEE GENERAL NOTES 2 AND 3 ON SHEET 1.

PERIMETER SEAL BY OTHERS



1/4" MAX. SHIM SPACE

INTERIOR

EXTERIOR

④

INSTALLATION ANCHOR. WOOD SCREW SHOWN. SEE INSTALLATION NOTE 3 ON SHEET 1 FOR ANCHOR TYPE REQUIRED.

SEE GENERAL NOTE 7, SHEET 1 FOR GLAZING DETAILS

PERIMETER SEAL BY OTHERS

EXTERIOR

INTERIOR

②

1/4" MAX. SHIM SPACE

MIN. EMBEDMENT, SEE INSTALLATION NOTE 3 ON SHEET 1.

INSTALLATION ANCHOR. WOOD SCREW SHOWN. SEE INSTALLATION NOTE 3 ON SHEET 1 FOR ANCHOR TYPE REQUIRED.

INSTALLATION SUBSTRATE BY OTHERS. SEE GENERAL NOTES 2 AND 3 ON SHEET 1.

MIN. EDGE DISTANCE. SEE INSTALLATION NOTE 3 ON SHEET 1.

PROJECT NO. ACE-2021-118

ECO GLASS, LLC
144 HOPE STREET
LONGWOOD, FL 32750

TITLE: SERIES "NOVA" SINGLE HUNG WINDOW VERTICAL & HORIZONTAL SECTIONS - THROUGH FRAME INSTALLATION

DATE:	7/23/21
DRAWN BY:	RJA
SCALE:	N.T.S.
DRAWING NO.:	ECOGLOSS014
SHEET:	4 OF 6
REV:	---



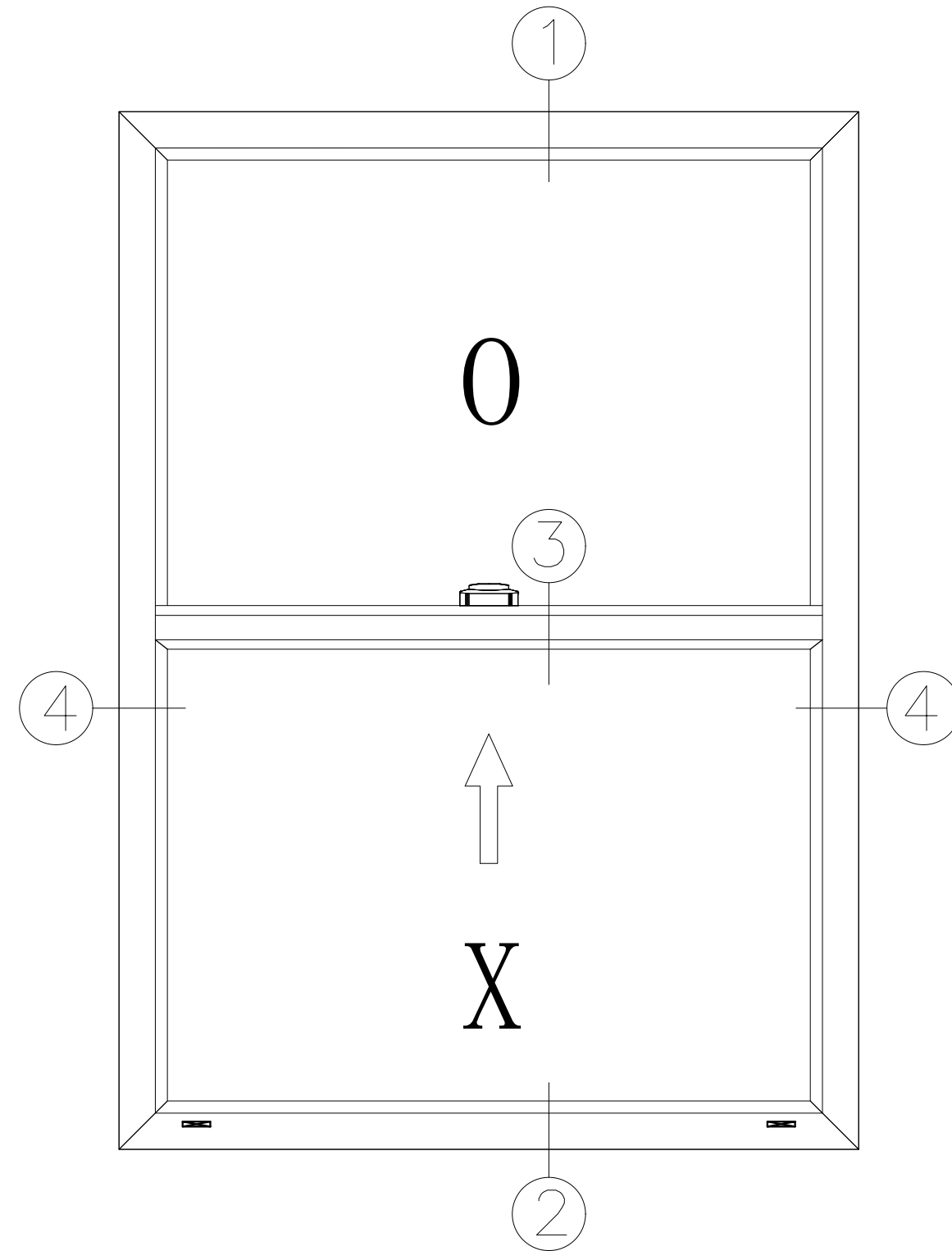
Robert J. Amoruso, P.E.
Florida P.E. No. 49752

734 S Center St.
Ormond Beach, FL 32174
rjaengpe@gmail.com

SERIES "NOVA" SINGLE HUNG WINDOW

BILL OF MATERIALS

INDEX	PART NUMBER	DESCRIPTION	QTY	VENDOR	MATERIAL
1	FE-8003	IM-XO FRAME W/ RETRO-FIT FIN	4	Value Wholesaler	PVC
2	FE-8012	GLAZING BEAD	8	Value Wholesaler	PVC
3	FE-8005	SASH FRAME	3	Value Wholesaler	PVC
4	PR-07	COVER FOR 8006	2	Value Wholesaler	ASA957
5	FE-8006	STILE	1	Value Wholesaler	PVC
6	FE-8007	INTERLOCK	1	Value Wholesaler	PVC
7	DT-18	Double-tape 1/6"x3/8"x150"(32 Roll/box)	-	Value Wholesaler	-
8	ST-06	STILE REINFORCEMENT	1	QUANEX	Galvanized iron
9	ST-07	INTERLOCK REINFORCEMENT	1	QUANEX	Galvanized iron
10	8-9220 SK01-3006-000	PRO-LATCH STRIKER	1	INTERLOCK	Die Casting
10.1	8-9220 SK04-0005	SLIM PRO-LATCH MECHANISM	1	INTERLOCK	Die Casting
10.2	8-9220 SK04-0016-0WH	LOCK COVER	1	INTERLOCK	Die Casting
11	PP-018-570-625 / 29023045WHGZ	WEATHER STRIPPING	-	Value Wholesaler	AMESBURY
12	AL-56-53	SCREEN FRAME	4	Value Wholesaler	Anodized Aluminum
12.1	0156-0000	SCREEN RUBBER SEAL		Value Wholesaler	EPDM
12.2	301A	SCREEN CONNECTOR-1	2	Value Wholesaler	PP
12.3	301B	SCREENTOR-2	2	Value Wholesaler	PP
13	1267-0000	WEEP HOLE COVER	2	Value Wholesaler	PC
14	SB-001 and SB-003	SETTING BLOCK	4	Value Wholesaler	PVC
15	(860-56H-357 / 860-37H-357 etc.)	DUALITE SPACER	2	QUANEX	-
15.1	VARIES	GLASS	2	CARDINAL	-
15.2	315W / BT413W	ADHESIVE TAPE	2	Value Wholesaler	-



PROJECT NO. ACE-2021-118

ECO GLASS, LLC
144 HOPE STREET
LONGWOOD, FL 32750

TITLE: SERIES "NOVA" SINGLE HUNG WINDOW
COMPONENTS - BILL OF MATERIALS & ELEVATION

DRAWN BY: RJA
SCALE: N.T.S.
DATE: 7/23/21
DRAWING NO: ECOGLASS014
SHEET: 5 OF 6

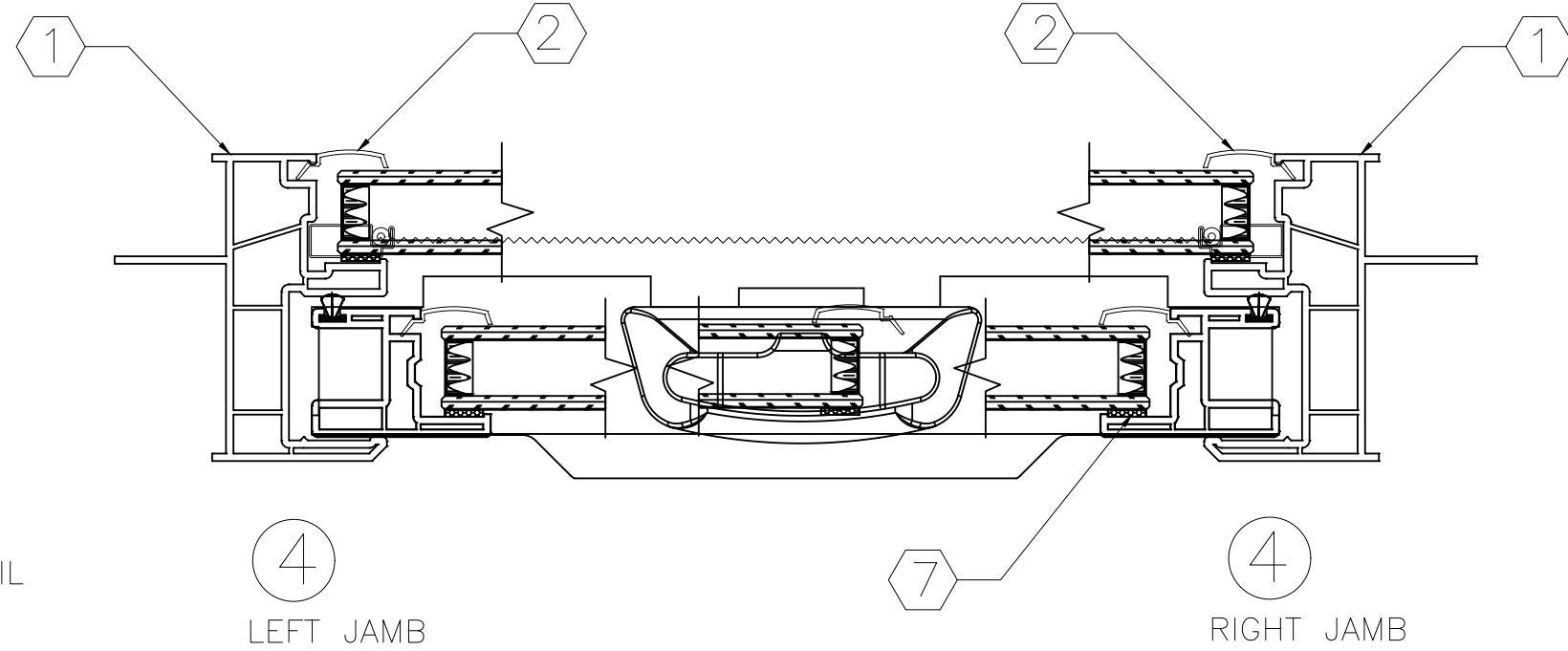
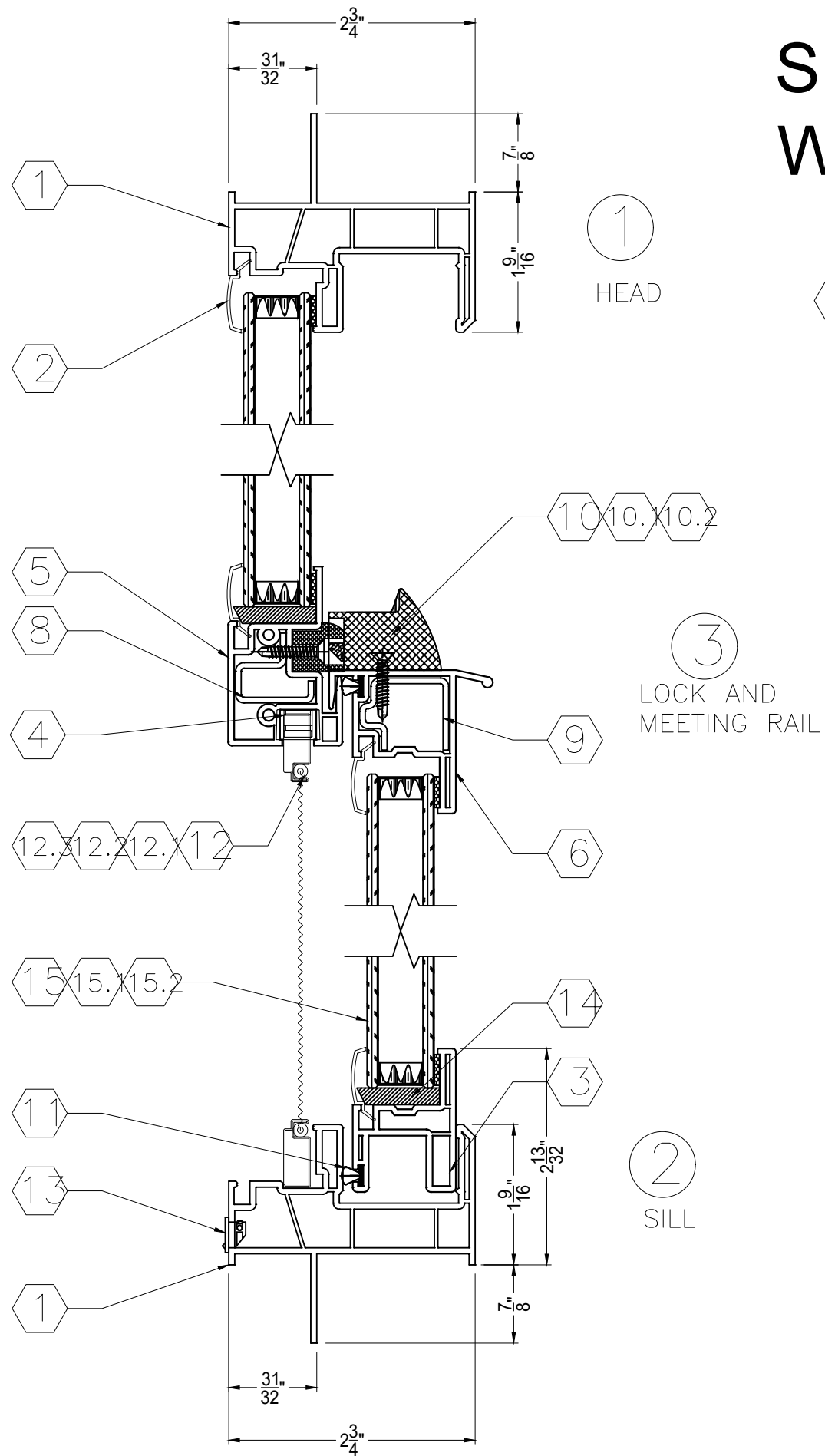


Robert J. Amoruso, P.E.
Florida P.E. No. 49752

734 S Center St.
Ormond Beach, FL 32174
rjaengpe@gmail.com

REV	DESCRIPTION	DATE	BY

SERIES "NOVA" SINGLE HUNG WINDOW



PROJECT NO. ACE-2021-118

ECO GLASS, LLC 144 HOPE STREET LONGWOOD, FL 32750		DRAWN BY: RJA	DATE: 7/23/21	REV:	DESCRIPTION	BY
TITLE: SERIES "NOVA" SINGLE HUNG WINDOW COMPONENTS - HORIZONTAL AND VERTICAL SECTIONS		SCALE: N.T.S.	DRAWING NO: ECOGLOSS014	---		DATE
321-207-0507 info@vk-ecoglass.com		---	---	6 OF 6		

Robert J. Amoruso, P.E.
Florida P.E. No. 49752

734 S Center St.
Ormond Beach, FL 32174
rjaengpe@gmail.com