

ECO GLASS LLC

SERIES S-3720 HORIZONTAL SLIDING WINDOW (XOX)

INSTALLATION ANCHORAGE DETAILS

GENERAL NOTES:

1. THIS PRODUCT HAS BEEN EVALUATED TO COMPLY WITH THE CURRENT PROVISIONS OF THE FLORIDA BUILDING CODE (FBC) EXCLUDING THE HIGH VELOCITY HURRICANE ZONES (HVHZ) AND IS BASED ON TESTING CONDUCTED TO AAMA/WDMA/CSA 101/I.S.2/A440-08 DOCUMENTED IN TEST REPORT NO. AI-04124-G1 BY AIR-INS INC. (AN UL COMPANY).
2. ADEQUACY OF THE EXISTING STRUCTURAL CONCRETE, MASONRY AND 2X FRAMING AS A MAIN WIND FORCE RESISTING SYSTEM CAPABLE OF WITHSTANDING AND TRANSFERRING APPLIED PRODUCT LOADS TO THE FOUNDATION IS THE RESPONSIBILITY OF THE ENGINEER OR ARCHITECT OF RECORD FOR THE PROJECT OF INSTALLATION.
3. 1X BUCK OVER MASONRY AND/OR CONCRETE IS OPTIONAL. WHERE 1X BUCK IS NOT USED DISSIMILAR MATERIALS MUST BE SEPARATED WITH APPROVED COATING OR MEMBRANE. SELECTION OF COATING OR MEMBRANE IS THE RESPONSIBILITY OF THE ARCHITECT OR ENGINEER OF RECORD.
4. THE INSTALLATION DETAILS DESCRIBED HEREIN ARE GENERIC AND MAY NOT REFLECT ACTUAL CONDITIONS FOR A SPECIFIC SITE. IF THE INSTALLATION METHODS DEVIATE FROM THESE APPROVED DETAILS THIS WOULD REQUIRE FURTHER INVESTIGATION BY A LICENSED OR REGISTERED DESIGN PROFESSIONAL.
5. IN AREAS WHERE WINDBORNE DEBRIS PROTECTION REQUIREMENTS EXIST, USE OF AN IMPACT PROTECTIVE SYSTEM COMPLYING WITH THE FBC REQUIREMENTS FOR WINDBORNE DEBRIS REGIONS SHALL BE REQUIRED:
6. MATERIALS:
 - 6.1. FRAME: RIGID VINYL
7. GLAZING:
 - 7.1. INSULATING GLASS UNIT DESCRIPTION: 22.2 mm (0.87") 4MM (5/32") ANNEALED, AIR GAP 14.2MM (0.56").
 - 7.1.1. OVERALL (O.A.) THICKNESS AND AIR GAP CAN VARY BASED ON SPACER USED AND WILL NOT AFFECT GLAZING STRENGTH. GLASS THICKNESS AND HEAT TREATMENT CANNOT VARY EXCEPT AS ALLOWED IN 7.2 BELOW.
 - 7.2. FOR PRODUCTS SMALLER THAN THE TESTED SPECIMEN, GLAZING IS PERMITTED TO BE THINNER AND/OR WEAKER THAN THAT SHOWN IN GENERAL NOTE 7.1 IN ACCORDANCE WITH AAMA/WDMA/CSA 101/I.S.2/A440-08, SECTION 6.2.3.4.1.
 - 7.3. GLASS MEETS THE REQUIREMENTS OF ASTM E1300-12AE1.
8. PANEL OPERABILITY DESIGNATIONS:
 - 8.1. X = OPERABLE
 - 8.2. O = FIXED
9. PERIMETER AND JOINT SEALANT BY OTHERS TO BE DETAILED IN ACCORDANCE WITH THE FBC, RESIDENTIAL AND BUILDING VOLUMES AND WITH FMA/AAMA/WDMA PROTOCOLS. PERIMETER AND JOINT SEALANT IS SHOWN FOR ILLUSTRATIVE PURPOSES ONLY AND IS NOT PART OF THIS PRODUCT APPROVAL DOCUMENT.

INSTALLATION NOTES:

1. INSTALL ONE (1) ANCHOR AS INDICATED IN THE SECTION DETAILS ON SHEETS 4 THROUGH 7 AT EACH LOCATION SHOWN IN THE ELEVATION ON SHEET 2.
 - 1.1. LOCATION TOLERANCE IS +/- 1/2".
 - 1.2. FOR WINDOWS SMALLER THAN THAT SHOWN IN SHEET 2 ELEVATION, ANCHOR QUANTITIES CAN BE REDUCED WHILE MAINTAINING THE ANCHOR SPACING AND EDGE DISTANCE SHOWN.
2. SHIM AS REQUIRED AT EACH INSTALLATION ANCHOR WITH A LOAD BEARING SHIM. SHIM WHERE SPACE OF 1/16" OR GREATER OCCURS. MAXIMUM ALLOWABLE SHIM STACK TO BE 1/4".
3. SEE INSTALLATION ANCHOR SCHEDULE ON THIS SHEET FOR ANCHOR TYPE, EMBEDMENT AND EDGE DISTANCE REQUIREMENTS.
 - 3.1. INSTALLATION ANCHORS SHALL BE CORROSION RESISTANT OR HAVE CORROSION RESISTANT COATING.
 - 3.2. SEE INSTALLATION NOTE 4 FOR MINIMUM SUBSTRATE PROPERTIES.
4. INSTALLATION ANCHOR CAPACITIES FOR PRODUCTS HEREIN ARE BASED ON SUBSTRATE MATERIALS WITH THE FOLLOWING PROPERTIES:
 - 4.1. WOOD - MINIMUM SPECIFIC GRAVITY OF 0.42 (NON-HVHZ).
 - 4.2. CONCRETE - MINIMUM COMPRESSIVE STRENGTH OF 2500 PSI.
 - 4.3. MASONRY - STRENGTH CONFORMANCE TO ASTM C-90 MEDIUM WEIGHT WITH COMPRESSIVE STRENGTH OF 1900 psi (DENSITY > 117 PCF).
 - 4.4. STEEL STUD - STRENGTH CONFORMING TO MIN. Fu = 33 KSI AND Ft = 45 KSI. MINIMUM THICKNESS 20 GA.

PERFORMANCE RATING		
MAXIMUM WINDOW SIZE (IN)	DESIGN PRESSURE RATING (PSF)	IMPACT RATING
120 x 60	30	NONE

TABLE OF CONTENTS	
SHEET	DESCRIPTION
1	INSTALLATION AND GENERAL NOTES
2	EXTERIOR ELEVATION AND ANCHORAGE
3	INSTALLATION DETAILS A & B
4	VERTICAL SECTION A - THROUGH FRAME INSTALLATION
5	VERTICAL SECTION A - CLIP INSTALLATION
6	HORIZONTAL SECTION C - THROUGH FRAME INSTALLATION
7	HORIZONTAL SECTION C - CLIP INSTALLATION
8	BILL OF MATERIALS & VERTICAL COMPONENT CROSS-SECTIONS
9	HORIZONTAL COMPONENT CROSS-SECTION & CLIP

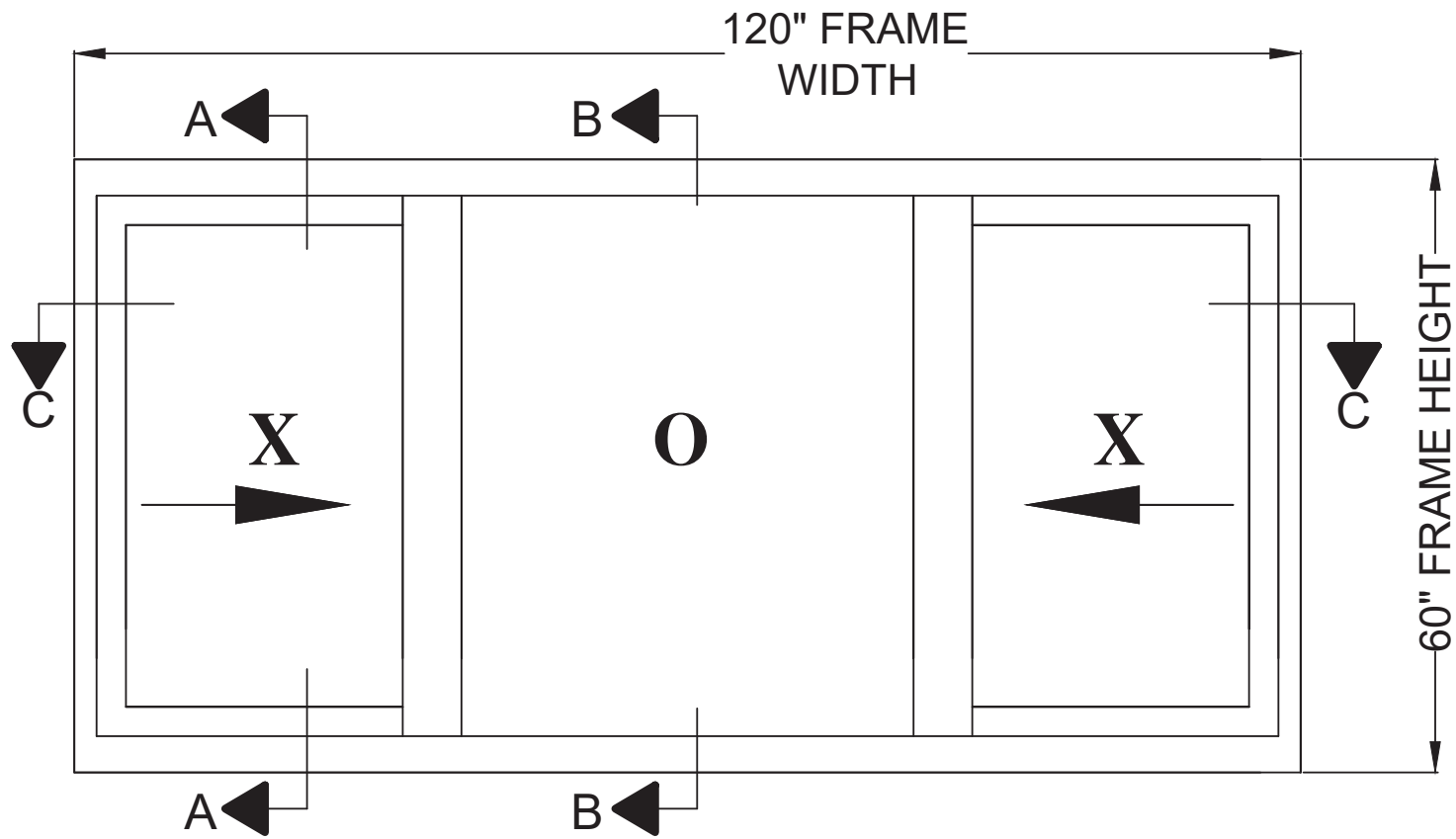
INSTALLATION ANCHORAGE SCHEDULE			
SUBSTRATE TYPE	ANCHOR TYPE	MIN. EMBED. (IN)	MIN. EDGE DIST. (IN)
WOOD (SG = 0.42 MIN.)	NO. 10 PAN HEAD WOOD SCREW, GR. 2 STRENGTH	1 3/8	3/4
CONCRETE (2.5 KSI MIN.)	3/16" HH ITW TAPCON	1 1/2	1 1/8
MASONRY (ASTM C-90 MEDIUM WEIGHT WITH COMPRESSIVE STRENGTH OF 1900 psi (DENSITY > 117 PCF))	3/16" HH ITW TAPCON	1	2
STEEL STUD, 20 GA OR GREATER THICKNESS, MIN. Fu = 33 ksi AND Ft = 45 ksi	NO. 10 SELF-DRILLING SHEET METAL SCREW	FULL THICKNESS OF MEMBER PLUS 3 FULL THREAD LENGTHS PAST INTERIOR	1/2

PROJECT NO. ACE-2020-106				
ECO GLASS, LLC 144 HOPE STREET LONGWOOD, FL 32750	DRAWN BY: RJA	DATE: 10/9/20	DRAWING NO: ECOGLASS002	SHEET: 1 OF 9
TITLE: SERIES S-3720 HORIZONTAL SLIDING WINDOW (XOX) INSTALLATION AND GENERAL NOTES				

Robert J. Amoruso, P.E.
Florida P.E. No. 49752

Digitally signed
by Robert J Amoruso
Date: 2020.10.09
17:08:38 -04'00'

12472 LAKE UNDERHILL RD.
SUITE NO. 148
ORLANDO, FL 32828
robert.amoruso@comcast.net

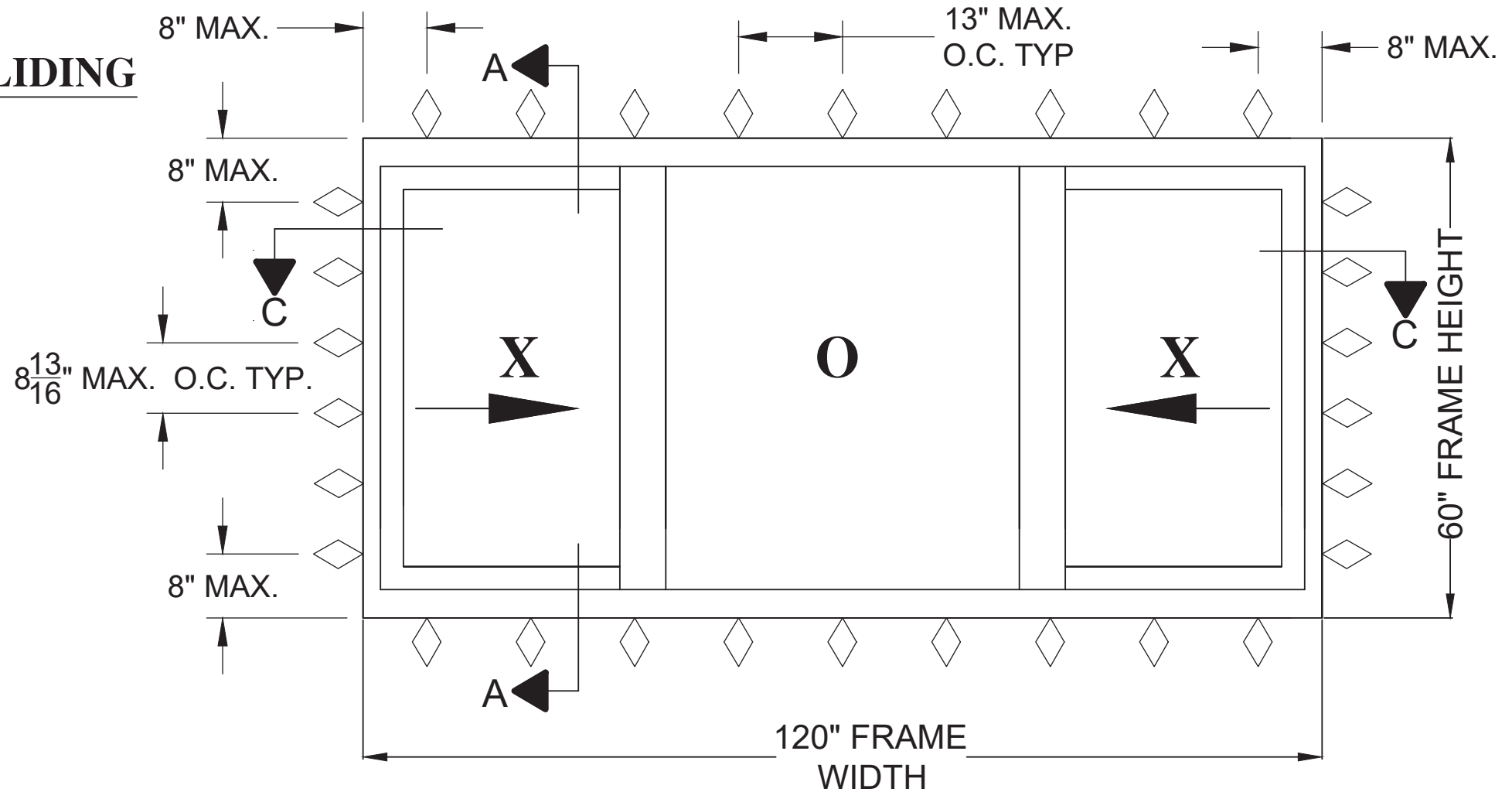


**ANCHOR LAYOUT
BLOCK/EQUAL LEG THROUGH
FRAME INSTALLATION
OR
CLIP INSTALLATION
EXTERIOR VIEW**

**SERIES S-3720 HORIZONTAL SLIDING
WINDOW (XOX)
EXTERIOR VIEW**

MAXIMUM SIZES (NOMINAL)	
FRAME	120" X 60"
SASH	26" X 57-1/8"
DLO - SASH	23-5/16" X 54-7/16"
DLO - FIXED	47-5/8" X 54-15/16"

◇ ANCHOR/FASTENER



PROJECT NO. ACE-2020-106

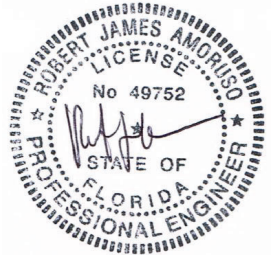
ECO GLASS, LLC
144 HOPE STREET
LONGWOOD, FL 32750

TITLE: SERIES S-3720 HORIZONTAL SLIDING WINDOW (XOX)
EXTERIOR ELEVATION AND ANCHORAGE

DRAWN BY: RJA
SCALE: N.T.S.
DATE: 10/9/20
DRAWING NO: ECOGLASS002
SHEET: 2 OF 9

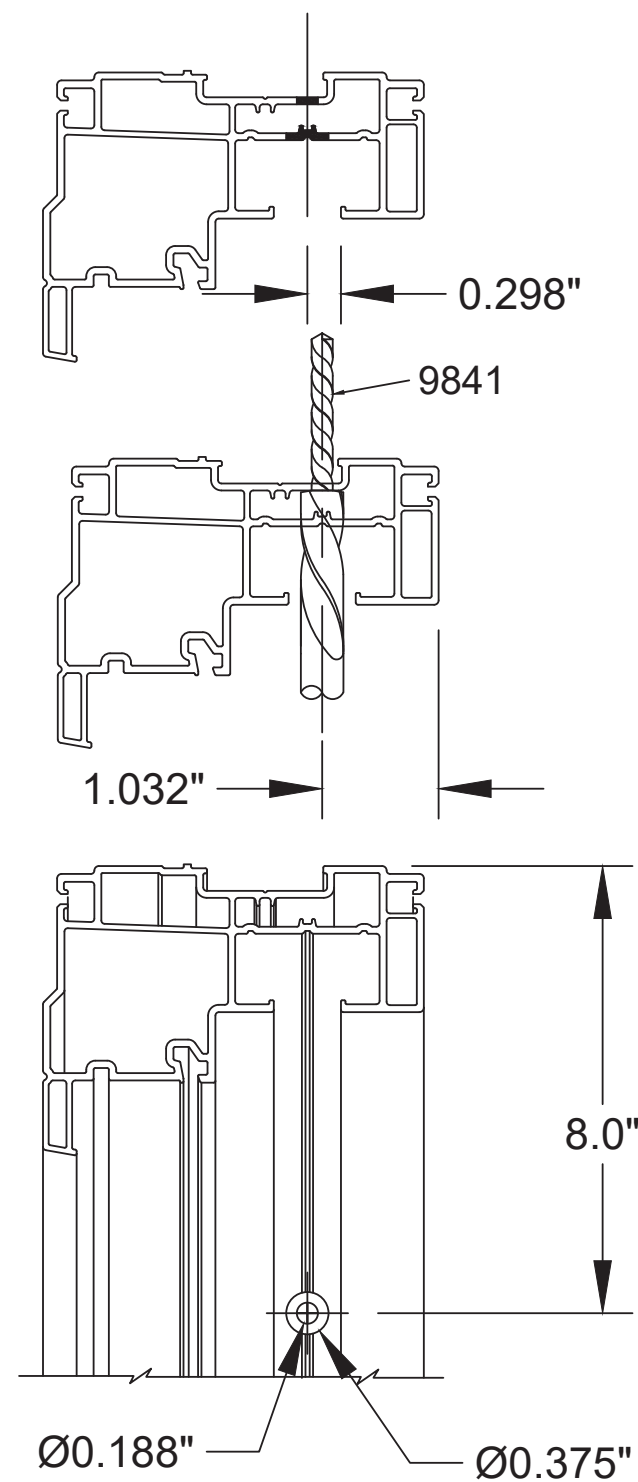


Robert J. Amoruso, P.E.
Florida P.E. No. 49752

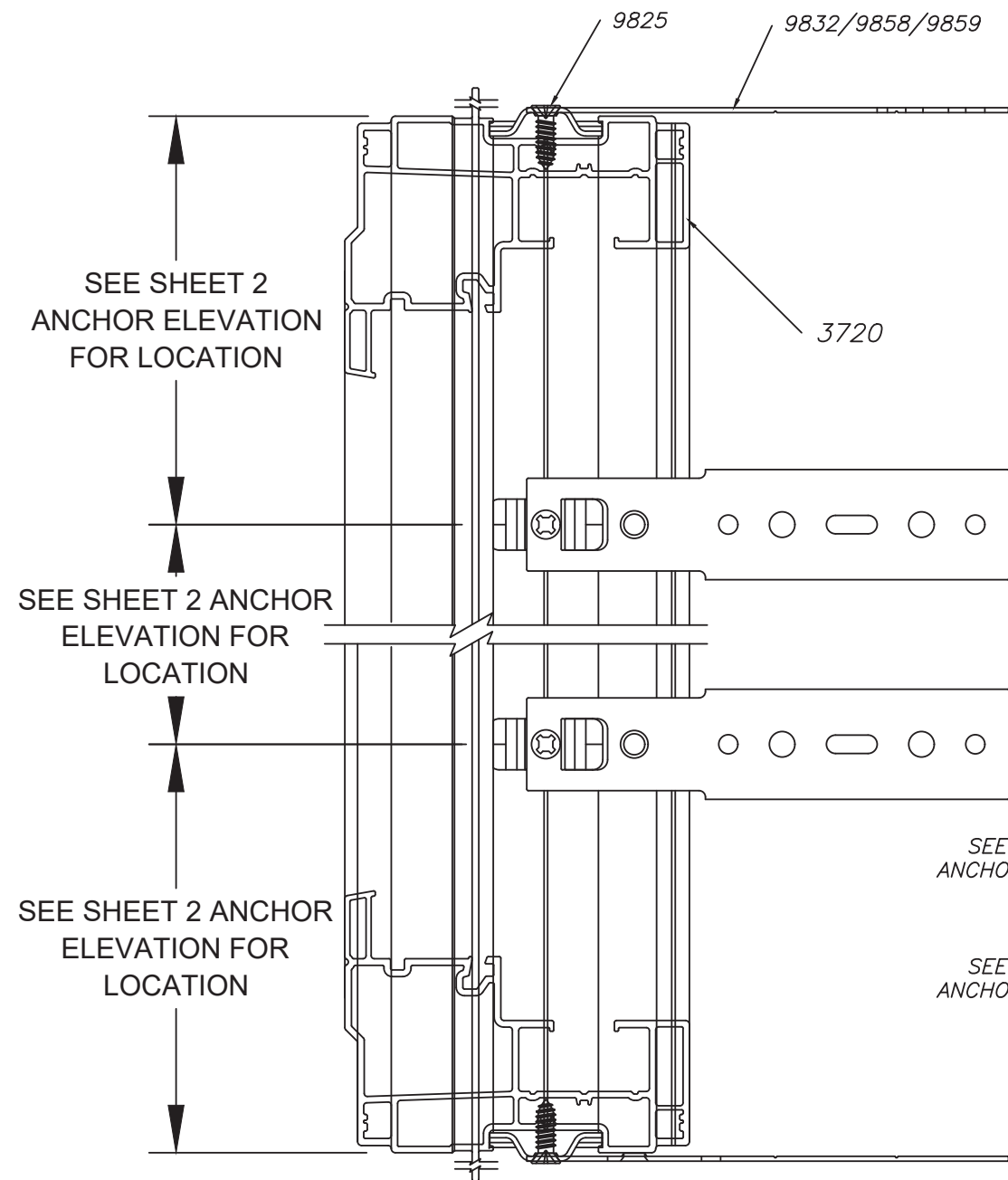


Digitally signed
by Robert J
Amoruso
Date: 2020.10.09
17:08:53 -04'00'

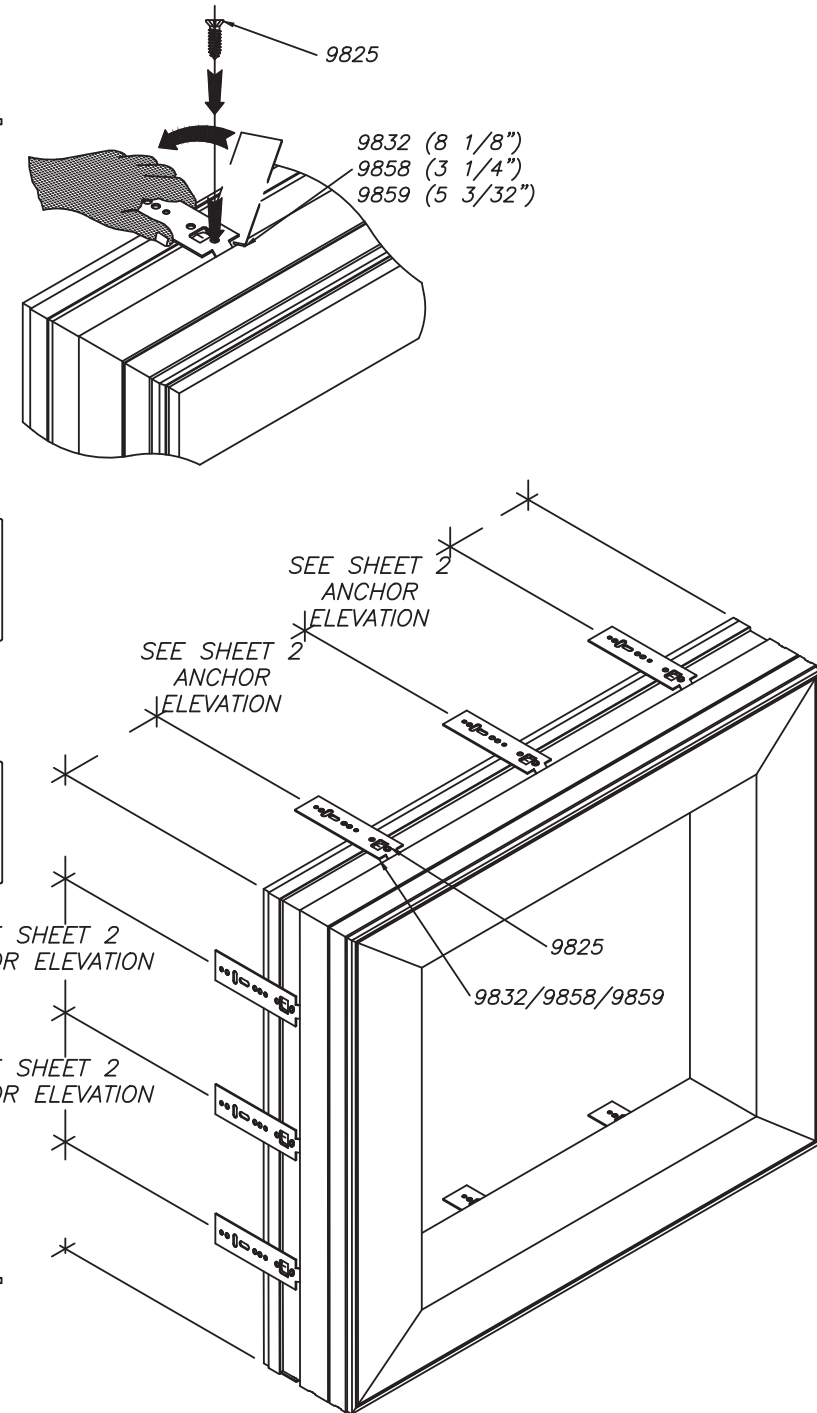
12472 LAKE UNDERHILL RD.
SUITE NO. 148
ORLANDO, FL 32828
robert.amoruso@comcast.net



**THROUGH-FRAME
INSTALLATION DETAIL A**



CLIP INSTALLATION DETAIL B



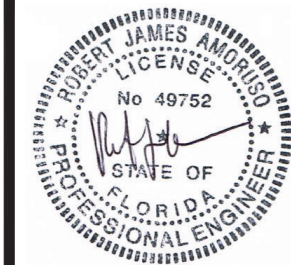
PROJECT NO. ACE-2020-106

ECO GLASS, LLC
144 HOPE STREET
LONGWOOD, FL 32750
TITLE: SERIES S-3720 HORIZONTAL SLIDING WINDOW (XOX)
INSTALLATION DETAILS A & B

DRAWN BY: RJA
SCALE: N.T.S.
DATE: 10/9/20
DRAWING NO: ECOGLASS002
SHEET: 3 OF 9

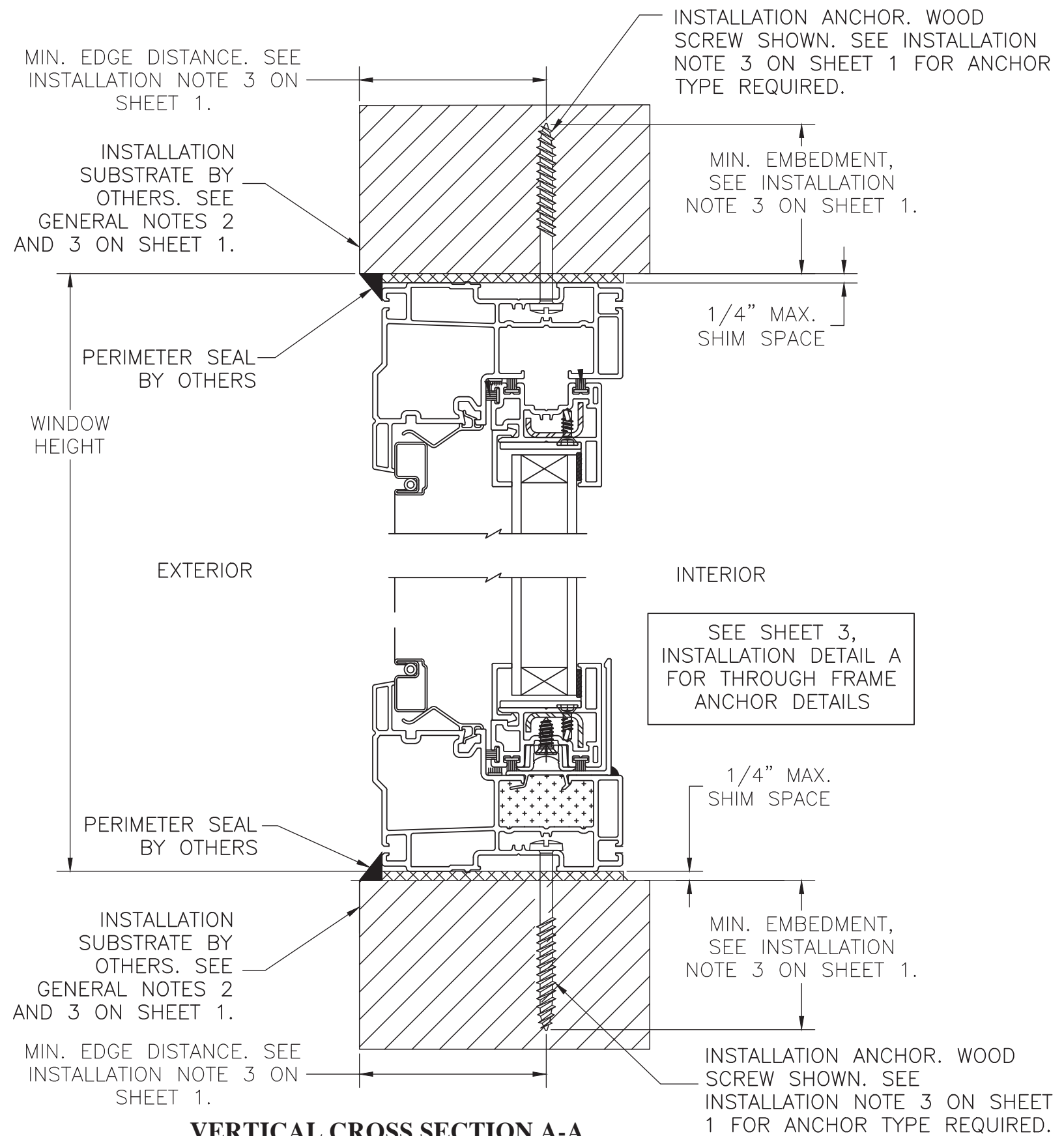


Robert J. Amoruso, P.E.
Florida P.E. No. 49752



Digitally signed
by Robert J
Amoruso
Date: 2020.10.09
17:09:04 -04'00'

12472 LAKE UNDERHILL RD.
SUITE NO. 148
ORLANDO, FL 32828
robert.amoruso@comcast.net



**VERTICAL CROSS SECTION A-A
THROUGH FRAME INSTALLATION**

WOOD FRAMING, 2X WOOD BUCK,
CONCRETE/MASONRY OR STEEL STUD APPROVED
(CROSS SECTION B-B INSTALLATION SAME)

PROJECT NO. ACE-2020-106

REV	DESCRIPTION	DATE	BY

ECO GLASS, LLC
144 HOPE STREET
LONGWOOD, FL 32750

TITLE: SERIES S-3720 HORIZONTAL SLIDING WINDOW (XOX)
VERTICAL SECTION A - THROUGH FRAME INSTALLATION

DRAWN BY: RJA
SCALE: N.T.S.
DATE: 10/9/20
DRAWING NO: ECOGLASS002
SHEET: 4 OF 9

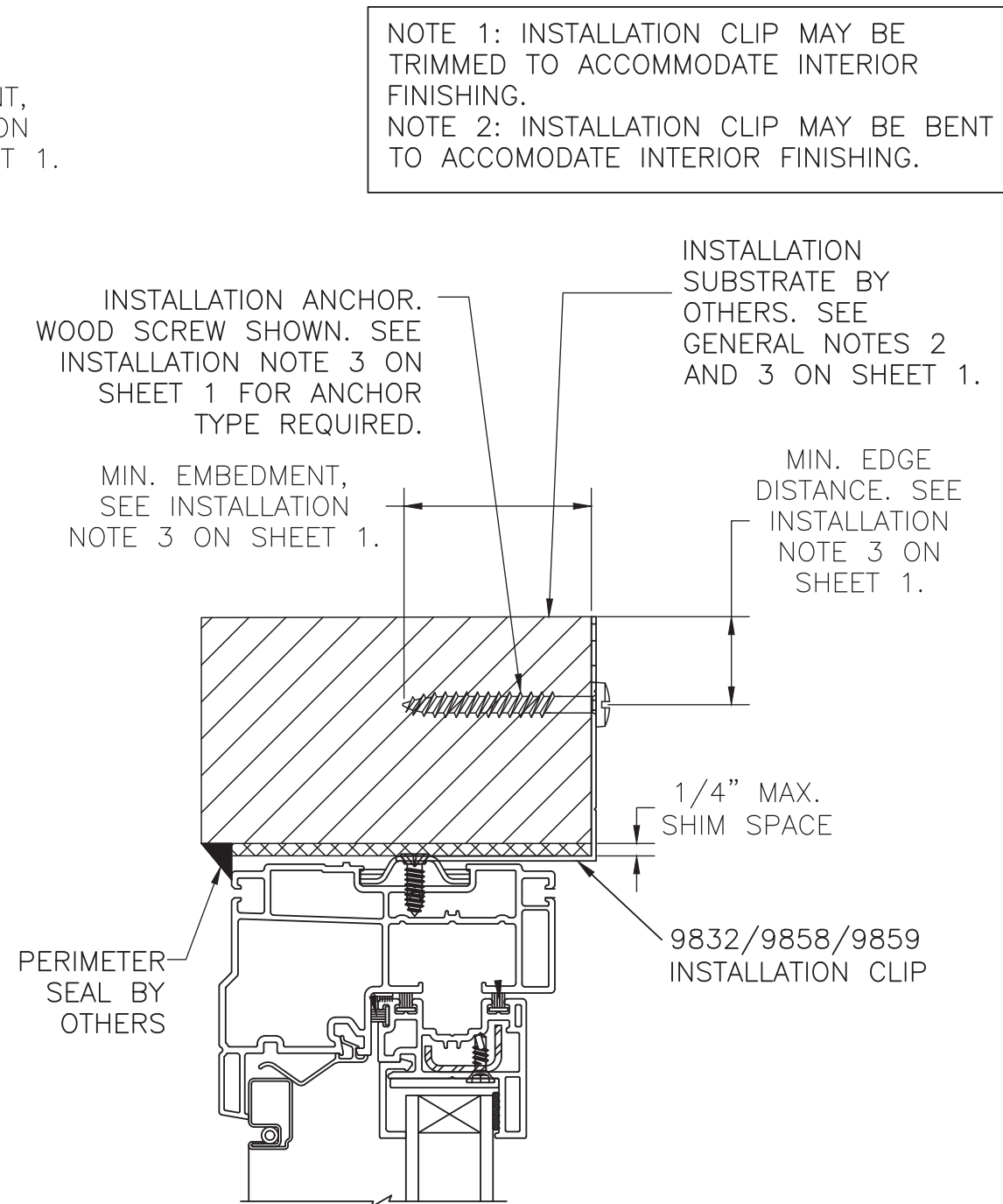
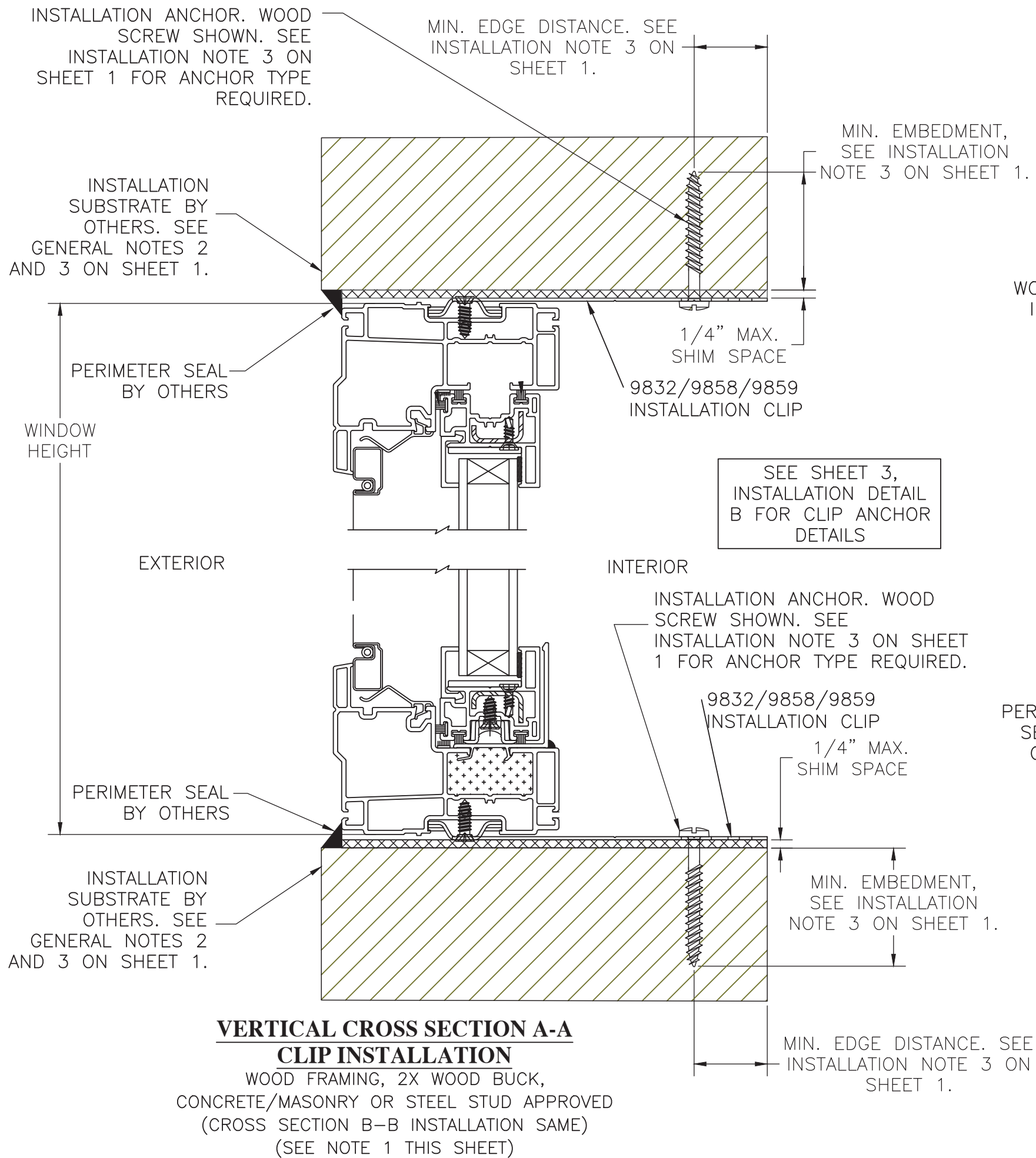
321-207-0507 | info@vk-ecoglass.com

Robert J. Amoruso, P.E.
Florida P.E. No. 49752



Digitally signed
by Robert J
Amoruso
Date: 2020.10.09
17:09:16 -04'00'

12472 LAKE UNDERHILL RD.
SUITE NO. 148
ORLANDO, FL 32828
robert.amoruso@comcast.net



PROJECT NO. ACE-2020-106

REV	DESCRIPTION	DATE	BY

ECO GLASS, LLC
144 HOPE STREET
LONGWOOD, FL 32750

TITLE: SERIES S-3720 HORIZONTAL SLIDING WINDOW (XOX)
VERTICAL SECTION A - CLIP INSTALLATION

DATE: 10/9/20
DRAWING NO: ECOGLASS002
SHEET: 5 OF 9

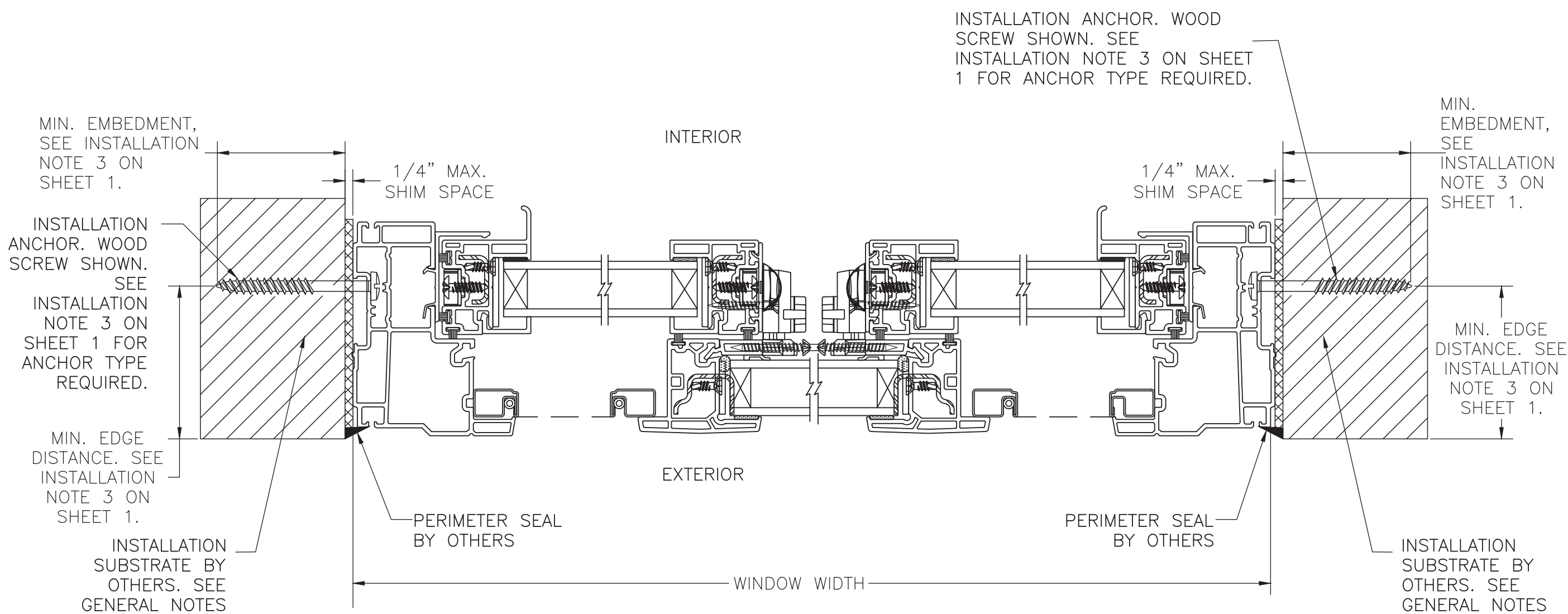
DRAWN BY: RJA
SCALE: N.T.S.
REV: ---

321-207-0507 | info@vkecoglass.com

Robert J. Amoruso, P.E.
Florida P.E. No. 49752

Digitally signed
by Robert J
Amoruso
Date: 2020.10.09
17:09:25 -04'00'

12472 LAKE UNDERHILL RD.
SUITE NO. 148
ORLANDO, FL 32828
robert.amoruso@comcast.net



HORIZONTAL CROSS SECTION C-C
 WOOD FRAMING, 2X WOOD BUCK,
 CONCRETE/MASONRY OR STEEL STUD APPROVED

SEE SHEET 3,
 INSTALLATION DETAIL A
 FOR THROUGH FRAME
 ANCHOR DETAILS

PROJECT NO. ACE-2020-106

REV	DESCRIPTION	DATE	BY

ECO GLASS, LLC
 144 HOPE STREET
 LONGWOOD, FL 32750

TITLE: SERIES S-3720 HORIZONTAL SLIDING WINDOW (XOX)
 HORIZONTAL SECTION C - THROUGH FRAME INSTALLATION

DATE: 10/9/20
 DRAWING NO: ECOGLASS002
 SHEET: 6 OF 9

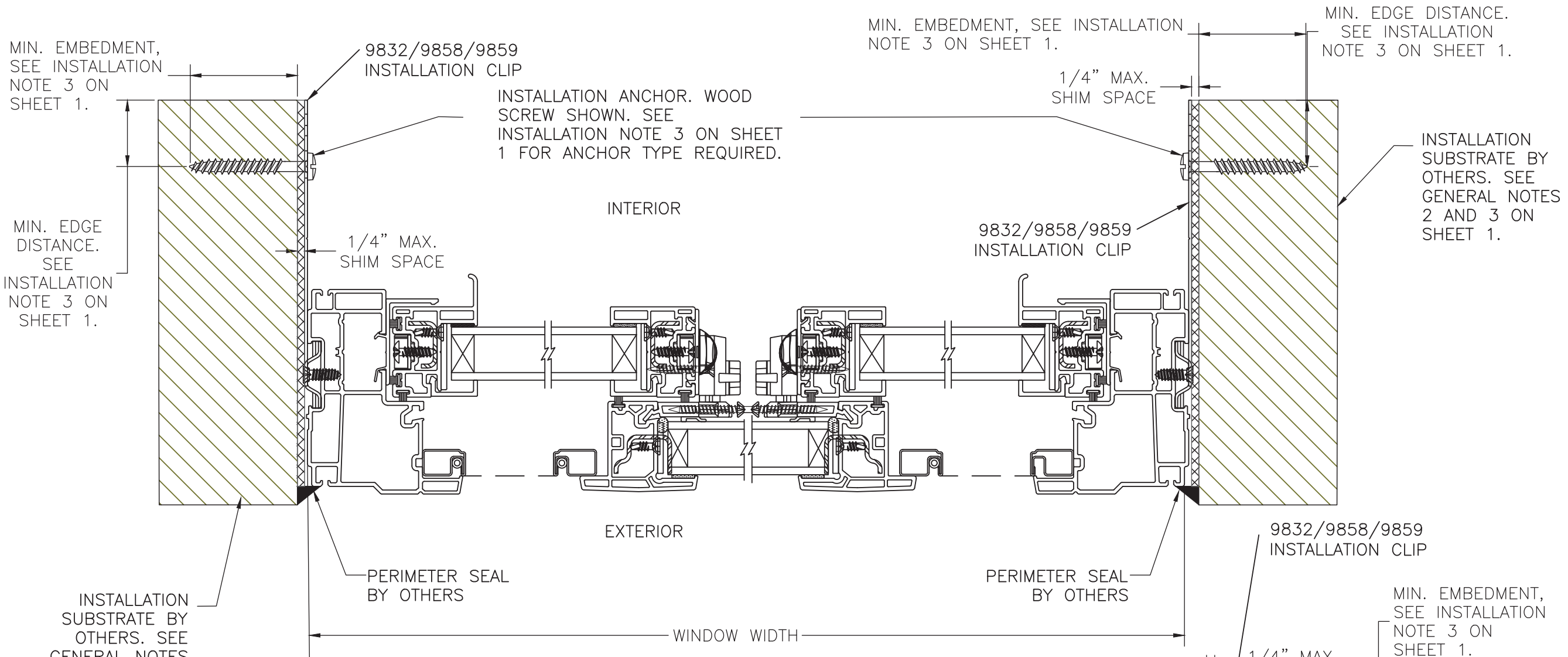
DRAWN BY: RJA
 SCALE: N.T.S.
 REV: ---

ECO GLASS
 ADVANCED FLORIDA WINDOW SOLUTIONS
 321-207-0507 | info@vk-ecoglass.com

Robert J. Amoruso, P.E.
 Florida P.E. No. 49752

Digitally signed
 by Robert J
 Amoruso
 Date: 2020.10.09
 17:09:36 -04'00'

12472 LAKE UNDERHILL RD.
 SUITE NO. 148
 ORLANDO, FL 32828
 robert.amoruso@comcast.net



HORIZONTAL CROSS SECTION C-C
 WOOD FRAMING, 2X WOOD BUCK,
 CONCRETE/MASONRY OR STEEL STUD APPROVED
 (SEE NOTE 1 THIS SHEET)

MIN. EMBEDMENT,
 SEE INSTALLATION
 NOTE 3 ON
 SHEET 1.

MIN. EDGE
 DISTANCE.
 SEE
 INSTALLATION
 NOTE 3 ON
 SHEET 1.

MIN. EMBEDMENT, SEE INSTALLATION
 NOTE 3 ON SHEET 1.

MIN. EDGE DISTANCE.
 SEE INSTALLATION
 NOTE 3 ON SHEET 1.

INSTALLATION ANCHOR. WOOD
 SCREW SHOWN. SEE
 INSTALLATION NOTE 3 ON SHEET
 1 FOR ANCHOR TYPE REQUIRED.

1/4" MAX.
 SHIM SPACE

1/4" MAX.
 SHIM SPACE

9832/9858/9859
 INSTALLATION CLIP

INSTALLATION
 SUBSTRATE BY
 OTHERS. SEE
 GENERAL NOTES
 2 AND 3 ON
 SHEET 1.

INSTALLATION
 SUBSTRATE BY
 OTHERS. SEE
 GENERAL NOTES
 2 AND 3 ON
 SHEET 1.

PERIMETER SEAL
 BY OTHERS

PERIMETER SEAL
 BY OTHERS

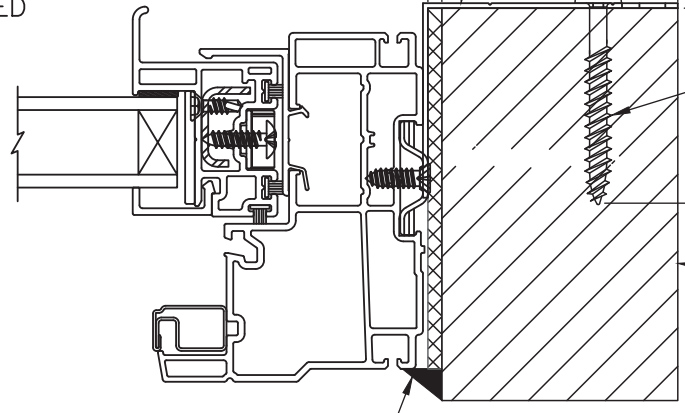
9832/9858/9859
 INSTALLATION CLIP

MIN. EMBEDMENT,
 SEE INSTALLATION
 NOTE 3 ON
 SHEET 1.

MIN. EDGE
 DISTANCE. SEE
 INSTALLATION
 NOTE
 3 ON SHEET 1.

SEE SHEET 3,
 INSTALLATION
 DETAIL
 B FOR CLIP ANCHOR
 DETAILS

1/4" MAX.
 SHIM SPACE



PERIMETER SEAL
 BY OTHERS

HORIZONTAL CROSS SECTION C-C
ALTERNATE CLIP INSTALLATION
(RIGHT JAMB SHOWN, LEFT JAMB SAME)
 WOOD FRAMING, 2X WOOD BUCK OR STEEL STUD
 APPROVED (CONCRETE/MASONRY NOT RECOMMENDED)
 (SEE NOTE 1 & 2 THIS SHEET)

INSTALLATION ANCHOR.
 WOOD SCREW SHOWN.
 SEE INSTALLATION
 NOTE 3 ON SHEET 1
 FOR ANCHOR TYPE
 REQUIRED.

INSTALLATION
 SUBSTRATE BY
 OTHERS. SEE
 GENERAL NOTES
 2 AND 3 ON
 SHEET 1.

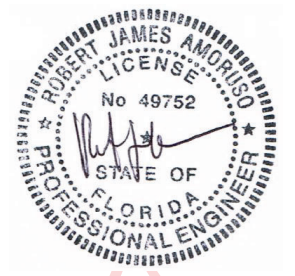
NOTE 1: INSTALLATION CLIP MAY BE
 TRIMMED TO ACCOMMODATE INTERIOR
 FINISHING.
 NOTE 2: INSTALLATION CLIP MAY BE BENT
 TO ACCOMMODATE INTERIOR FINISHING.

PROJECT NO. ACE-2020-106					

ECO GLASS, LLC 144 HOPE STREET LONGWOOD, FL 32750 TITLE: SERIES S-3720 HORIZONTAL SLIDING WINDOW (XOX) HORIZONTAL SECTION C - CLIP INSTALLATION	DRAWN BY: RJA	DATE: 10/9/20
	SCALE: N.T.S.	DRAWING NO: ECOGLASS002
	REV: ---	SHEET: 7 OF 9



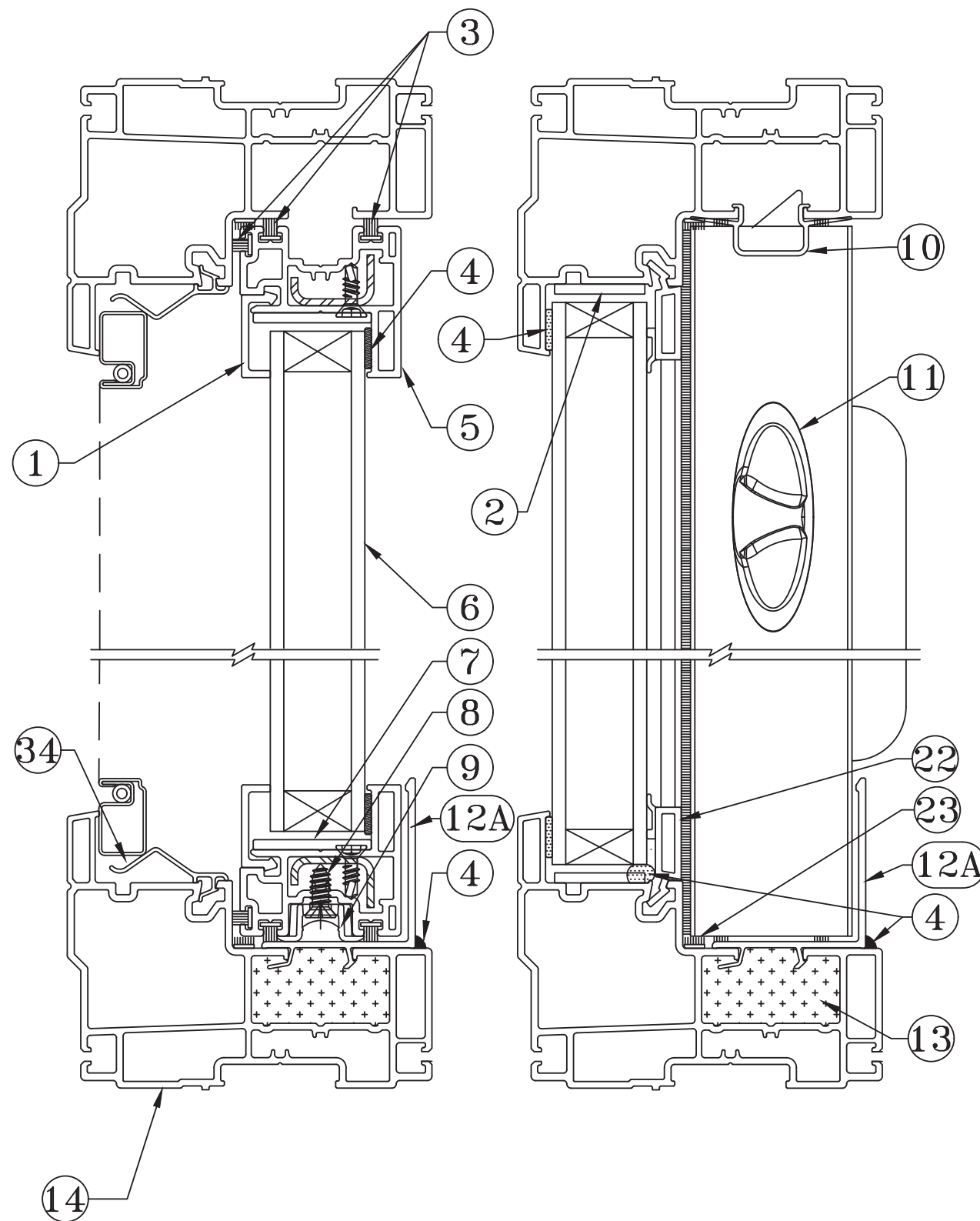
Robert J. Amoruso, P.E.
 Florida P.E. No. 49752



Digitally signed
 by Robert J
 Amoruso
 Date: 2020.10.09
 17:09:47 -04'00'

12472 LAKE UNDERHILL RD.
 SUITE NO. 148
 ORLANDO, FL 32828
 robert.amoruso@comcast.net

Item	PART No.	ITEM DESCRIPTION	MANUFACTURERS
* 1	5770, 5772, 5793, 5794, 5796	Glazing bead	P.H. Tech
2	9828	Setting block	P.H. Tech
3	9774	Weatherstrip	Schlegel #HF-7625-187 NAP #RPHF018726
4		sealant	Various
5	5760	Sash profile	P.H. Tech
6		Glass	Various
7	8851	Setting block	P.H. Tech
8	9854	No. 10-12 x 1/2", special No. 7 flat head, Quadrex screw	P.H. Tech
9	9738	Sliding shoe	P.H. Tech
10	5872	Sash stopper	P.H. Tech
11	9502	Button	P.H. Tech
12a	5865	Sash retainer "HP"	P.H. Tech
13	9873	Corner block	P.H. Tech
14	3723	Main frame	P.H. Tech
15	5762	Handle sash profile	P.H. Tech
16	8943	No. 6-15 x 1 1/8", flat head, Quadrex screw	P.H. Tech
17	9755	No. 8 x 5/8", truss head, Quadrex screw.	P.H. Tech
18	5826	Meeting rail covering cap	P.H. Tech
19	8855-R	Tilt latch assembly (Right)	P.H. Tech
20	8855-L	Tilt latch assembly (Left)	P.H. Tech
21	17.65.xx.xxx	Cam lock	Truth
* 22	5800, 5801, 5803, 5804	Glazing bead	P.H. Tech
23	8868	Weatherstrip	Schlegel # PBAB-8325-187
24	9820-L	Anchor (left)	P.H. Tech
25	9820-R	Anchor (Right)	P.H. Tech
26	5960	Fixed meeting rail	P.H. Tech
27	9752	No. 6-15 x 1 1/2", flat head, Quadrex screw	P.H. Tech
28	45070	Keeper	Truth
29	9825	No. 10-12 x 5/8", special No. 7 flat head, Quadrex screw.	P.H. Tech
30	8854	Sash steel reinforcement (bottom, top, sides)	P.H. Tech
31	9753	No. 7-19 x 1/2", flat head Quadrex type camtap Z, screw	P.H. Tech
32	9536	Mullion steel reinforcement	P.H. Tech
33		Screen	Various
34	5959	Screen clip	P.H. Tech



VERTICAL CROSS SECTION A-A

VERTICAL CROSS SECTION B-B

PROJECT NO. ACE-2020-106

ECO GLASS, LLC
144 HOPE STREET
LONGWOOD, FL 32750

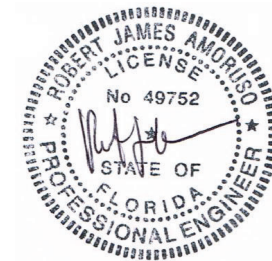
TITLE: SERIES S-3720 HORIZONTAL SLIDING WINDOW (XOX)
BILL OF MATERIALS & VERTICAL COMPONENT CROSS-SECTIONS

DRAWN BY: RJA
SCALE: N.T.S.
REV: ---

DATE: 10/9/20
DRAWING NO: ECOGLASS002
SHEET: 8 OF 9

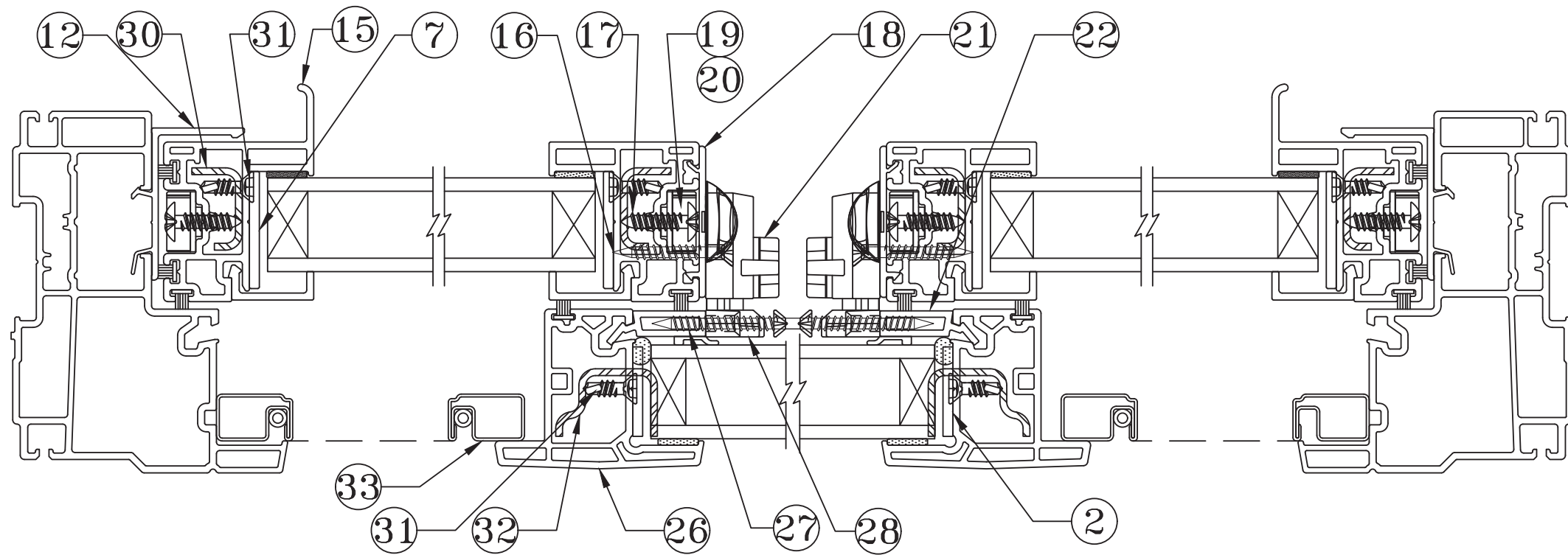
321-207-0507 | info@vk-ecoglass.com

Robert J. Amoruso, P.E.
Florida P.E. No. 49752

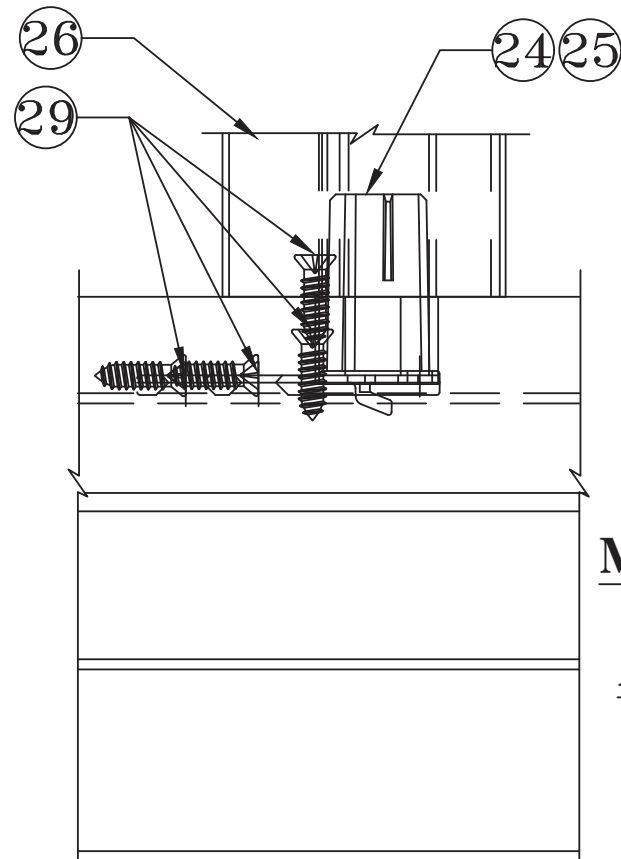


Digitally signed
by Robert J
Amoruso
Date: 2020.10.09
17:09:58 -04'00'

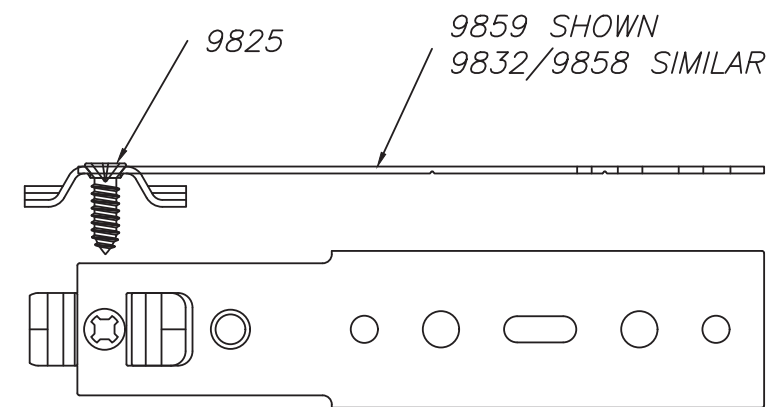
12472 LAKE UNDERHILL RD.
SUITE NO. 148
ORLANDO, FL 32828
robert.amoruso@comcast.net



HORIZONTAL CROSS SECTION C-C



MEETING RAIL TO FRAME ANCHOR DETAIL

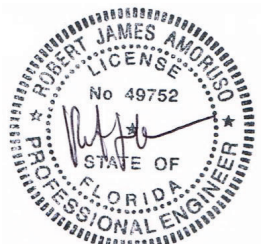


**INSTALLATION CLIP
9859 SHOWN
9832 & 9858 SIMILAR
(CLIP LENGTH AND FASTENER HOLE PATTERN VARIES)**

PROJECT NO. ACE-2020-106

ECO GLASS, LLC 144 HOPE STREET LONGWOOD, FL 32750		DRAWN BY: RJA SCALE: N.T.S. REV: ---	DATE: 10/9/20 DRAWING NO: ECOGLASS002 SHEET: 9 OF 9
TITLE: SERIES S-3720 HORIZONTAL SLIDING WINDOW (XOX) HORIZONTAL COMPONENT CROSS-SECTION & CLIP			
321-207-0507 info@vk-ecoglass.com			

Robert J. Amoruso, P.E.
Florida P.E. No. 49752



Digitally signed
by Robert J
Amoruso
Date: 2020.10.09
17:10:10 -04'00'

12472 LAKE UNDERHILL RD.
SUITE NO. 148
ORLANDO, FL 32828
robert.amoruso@comcast.net