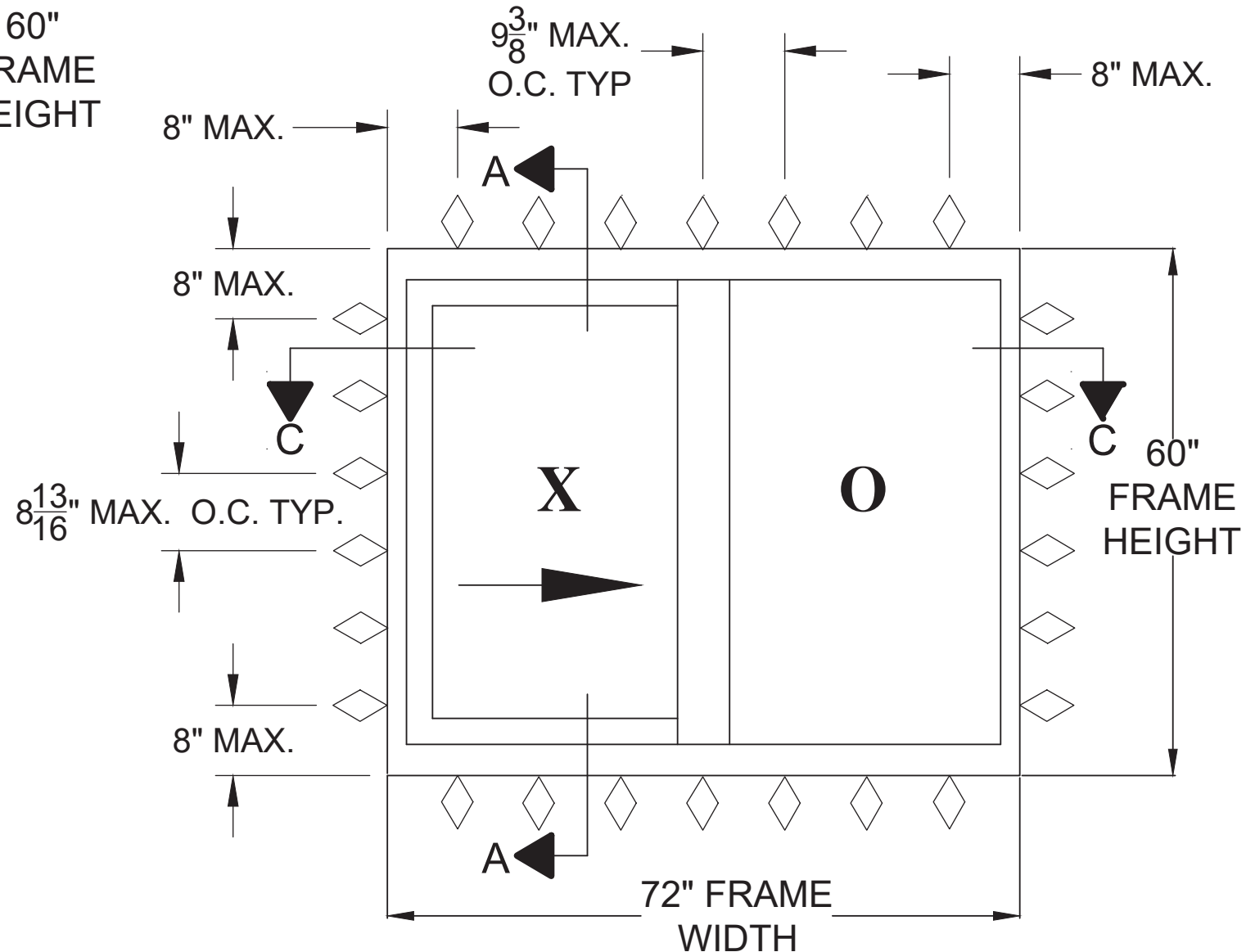


MAXIMUM SIZES	
FRAME	72" X 60"
SASH	35-3/4" X 57-1/4"
DLO - SASH	32-7/8" X 54-1/2"
DLO - FIXED	31-7/8" X 54-5/16"

SERIES S-3720 HORIZONTAL SLIDING WINDOW (XO SHOWN OR OX)
EXTERIOR VIEW



◇ ANCHOR/FASTENER

ANCHOR LAYOUT
BLOCK/EQUAL LEG THROUGH
FRAME INSTALLATION
OR
CLIP INSTALLATION
EXTERIOR VIEW

PROJECT NO. ACE-2020-106

REV	DESCRIPTION	DATE	BY

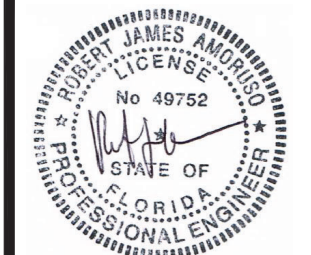
ECO GLASS, LLC
144 HOPE STREET
LONGWOOD, FL 32750

TITLE: SERIES S-3720 HORIZONTAL SLIDING WINDOW (XO OR OX)
EXTERIOR ELEVATION AND ANCHORAGE

DRAWN BY: RJA
SCALE: N.T.S.
DATE: 10/9/20
DRAWING NO: ECOGLASS001
SHEET: 2 OF 9

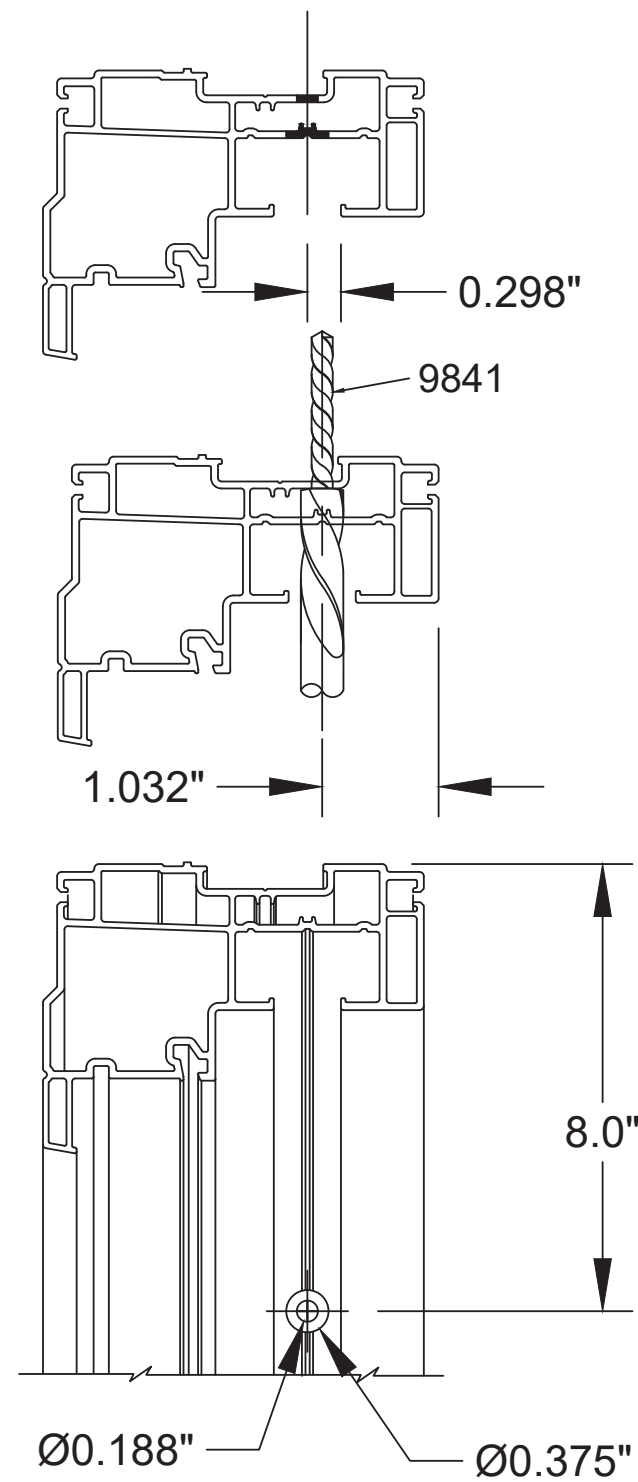
321-207-0507 | info@vkecoglass.com

Robert J. Amoruso, P.E.
Florida P.E. No. 49752

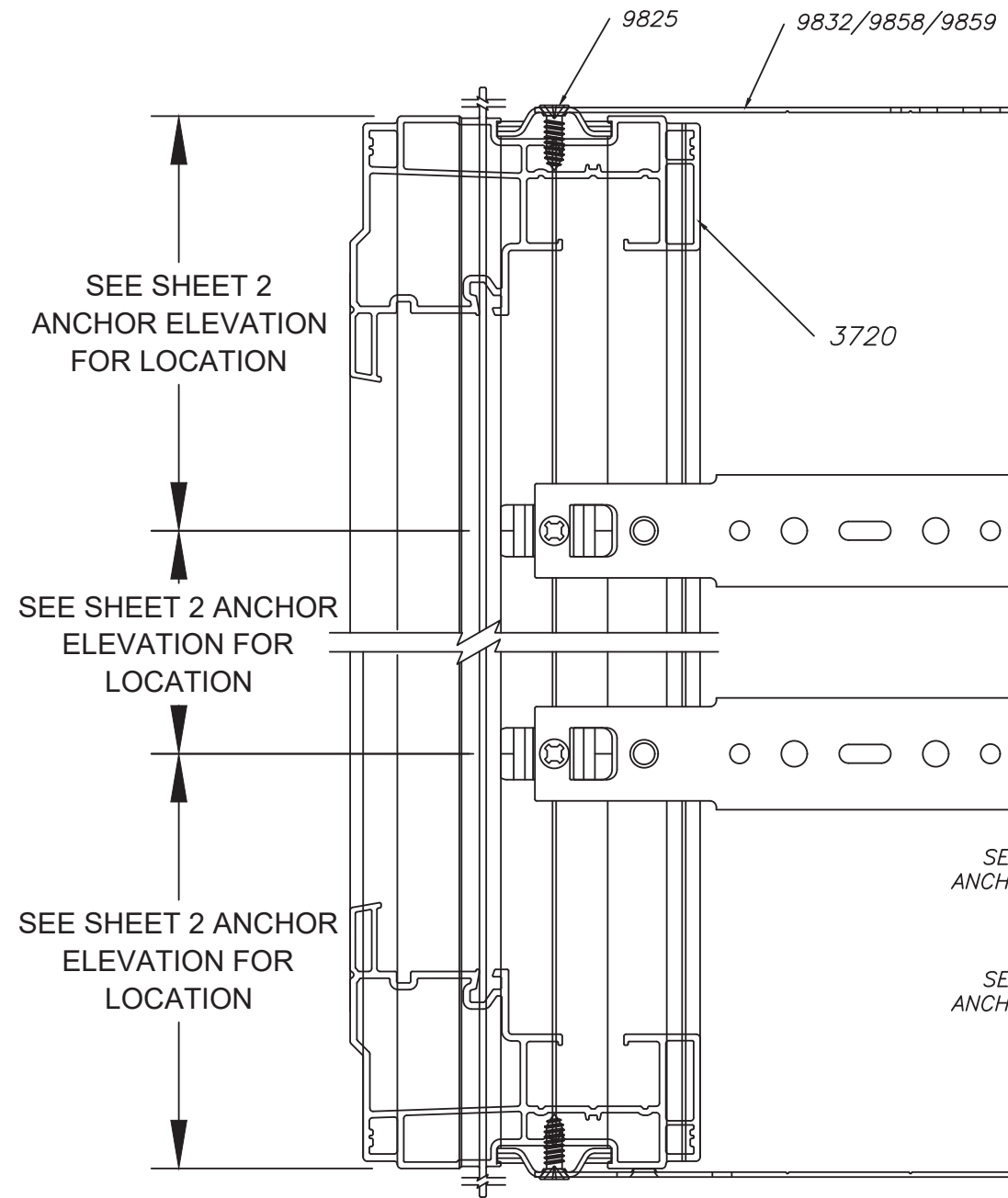


Digitally signed
by Robert J
Amoruso
Date: 2020.10.09
17:04:01 -04'00'

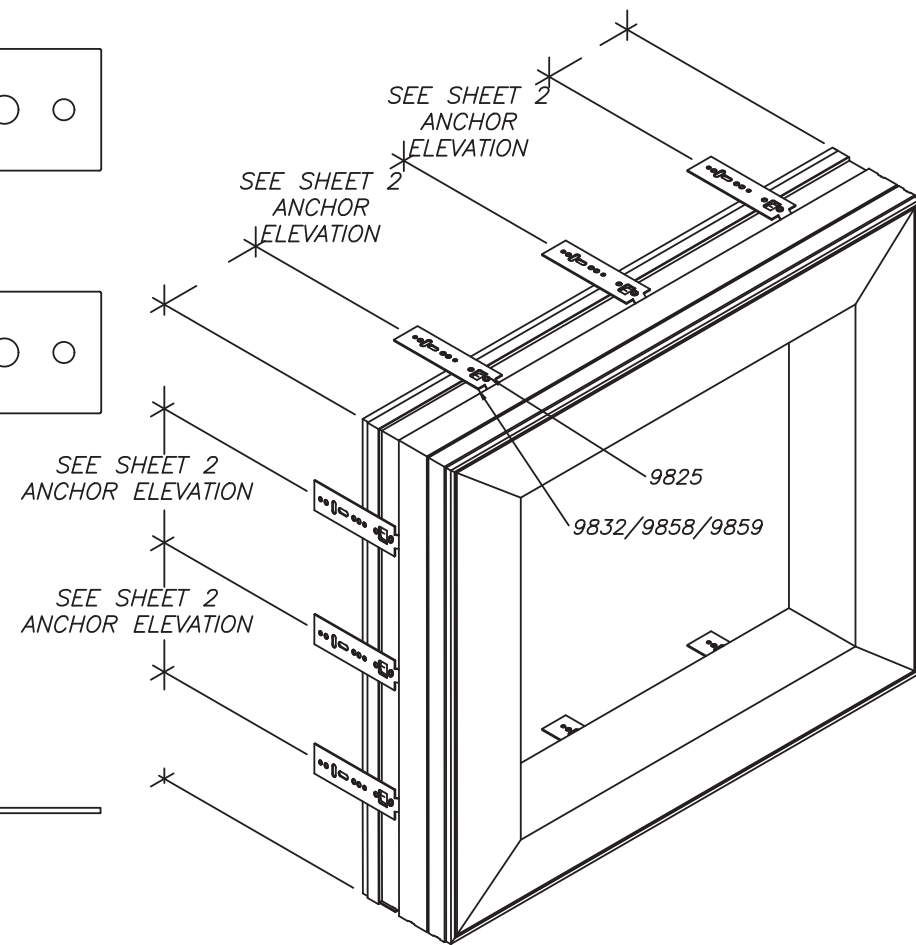
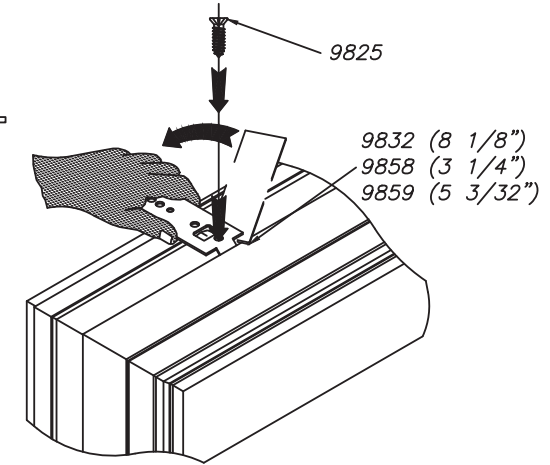
12472 LAKE UNDERHILL RD.
SUITE NO. 148
ORLANDO, FL 32828
robert.amoruso@comcast.net



**THROUGH-FRAME
INSTALLATION DETAIL A**



CLIP INSTALLATION DETAIL B

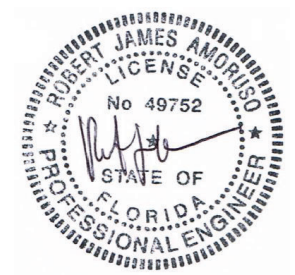


PROJECT NO. ACE-2020-106

ECO GLASS, LLC
144 HOPE STREET
LONGWOOD, FL 32750
TITLE: SERIES S-3720 HORIZONTAL SLIDING WINDOW (XO OR OX)
INSTALLATION DETAILS A & B

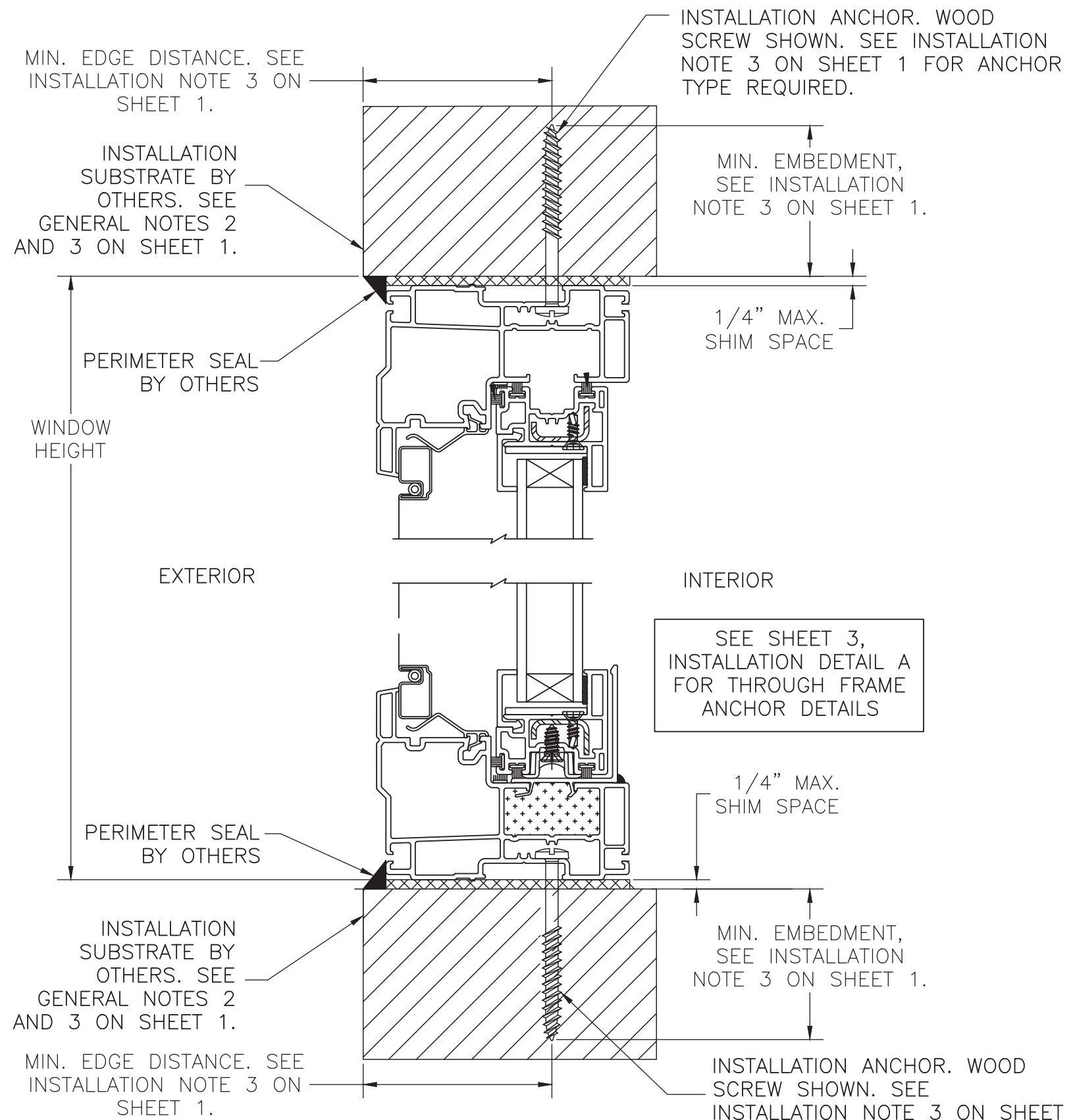
DRAWN BY: RJA	DATE: 10/9/20	DRAWING NO: ECOGLASS001	REV: 3 OF 9
SCALE: N.T.S.	REV: ---	SHEET: 3 OF 9	DESCRIPTION

Robert J. Amoruso, P.E.
Florida P.E. No. 49752



Digitally signed
by Robert J
Amoruso
Date: 2020.10.09
17:04:12 -04'00'

12472 LAKE UNDERHILL RD.
SUITE NO. 148
ORLANDO, FL 32828
robert.amoruso@comcast.net



**VERTICAL CROSS SECTION A-A
THROUGH FRAME INSTALLATION**

WOOD FRAMING, 2X WOOD BUCK,
CONCRETE/MASONRY OR STEEL STUD APPROVED
(CROSS SECTION B-B INSTALLATION SAME)

PROJECT NO. ACE-2020-106

REV	DESCRIPTION	DATE	BY

ECO GLASS, LLC
144 HOPE STREET
LONGWOOD, FL 32750

TITLE: SERIES S-3720 HORIZONTAL SLIDING WINDOW (XO OR OX)
VERTICAL SECTION A - THROUGH FRAME INSTALLATION

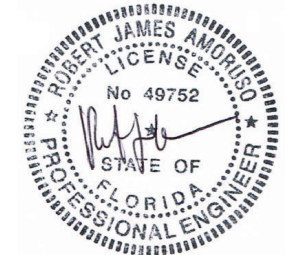
DRAWN BY: RJA
SCALE: N.T.S.
REV: ---

DATE: 10/9/20
DRAWING NO: ECOGLASS001
SHEET: 4 OF 9

ECO GLASS
ADVANCED FLORIDA WINDOW SOLUTION

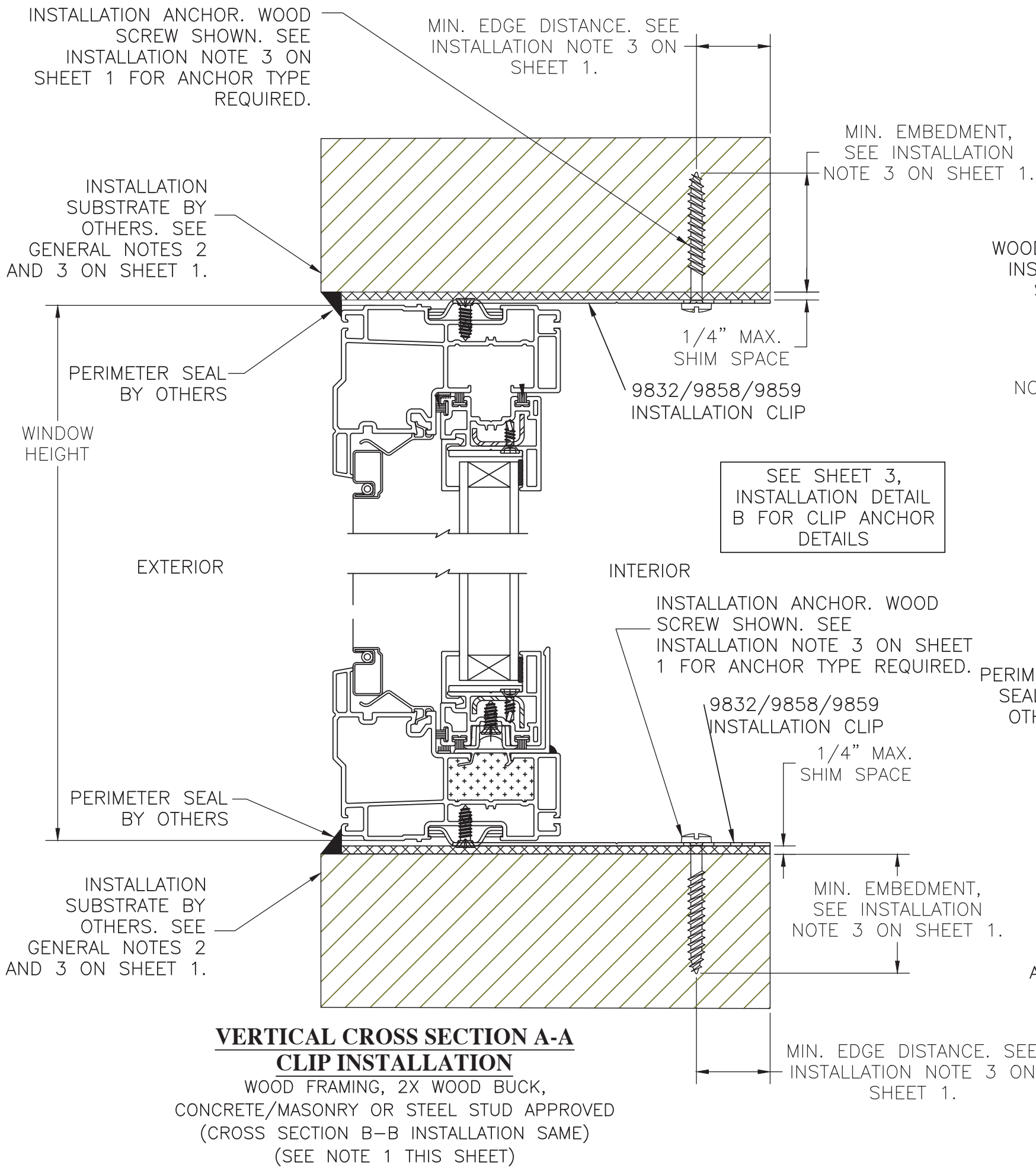
321-207-0507 | info@vk-ecoglass.com

Robert J. Amoruso, P.E.
Florida P.E. No. 49752



Digitally signed
by Robert J
Amoruso
Date: 2020.10.09
17:04:25 -04'00'

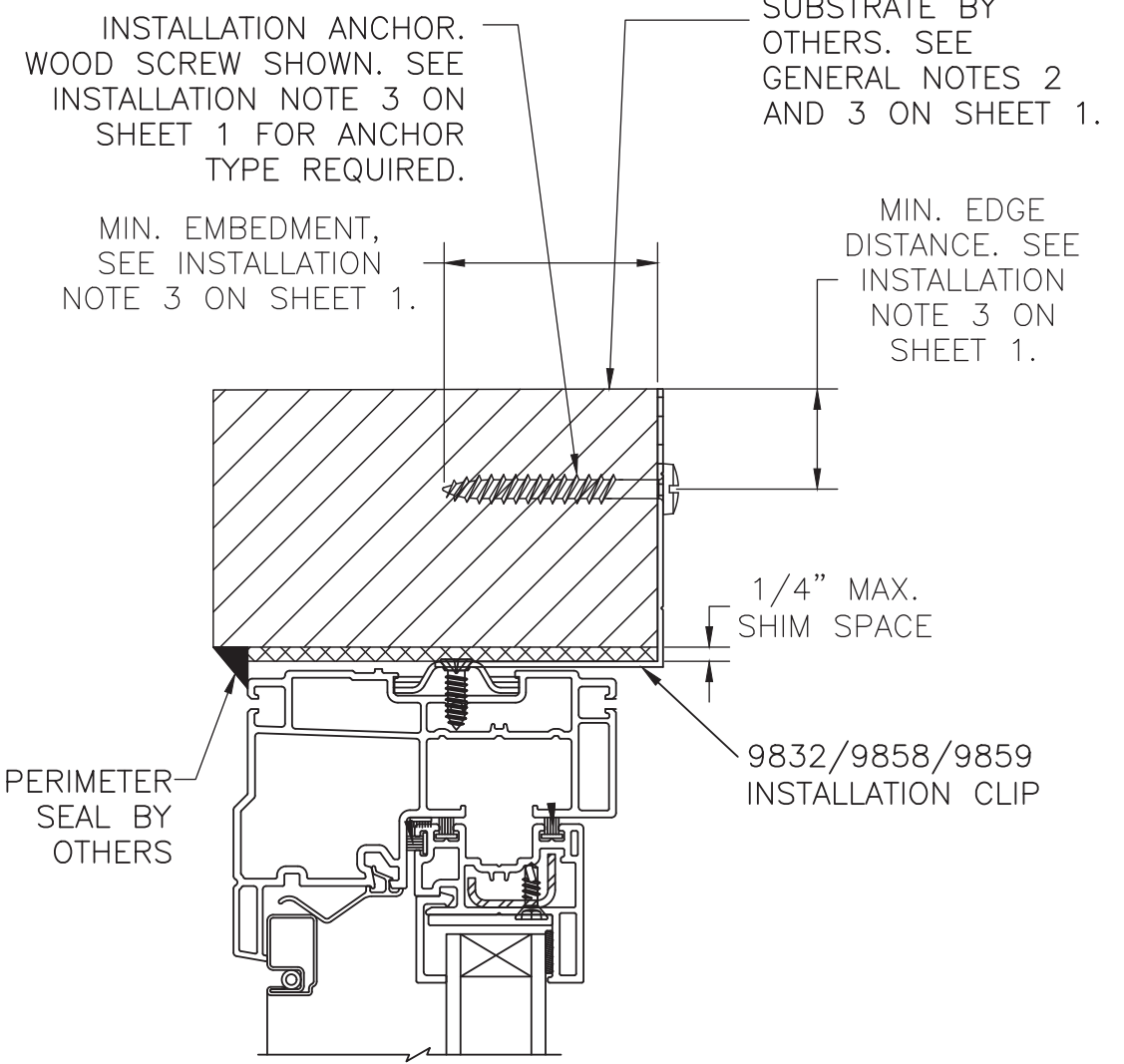
12472 LAKE UNDERHILL RD.
SUITE NO. 148
ORLANDO, FL 32828
robert.amoruso@comcast.net



**VERTICAL CROSS SECTION A-A
CLIP INSTALLATION**

WOOD FRAMING, 2X WOOD BUCK,
CONCRETE/MASONRY OR STEEL STUD APPROVED
(CROSS SECTION B-B INSTALLATION SAME)
(SEE NOTE 1 THIS SHEET)

NOTE 1: INSTALLATION CLIP MAY BE TRIMMED TO ACCOMMODATE INTERIOR FINISHING.
NOTE 2: INSTALLATION CLIP MAY BE BENT TO ACCOMMODATE INTERIOR FINISHING.



**VERTICAL CROSS SECTION A-A
ALTERNATE CLIP INSTALLATION
(HEAD SHOWN, SILL SAME)**

WOOD FRAMING, 2X WOOD BUCK OR STEEL STUD APPROVED (CONCRETE/MASONRY NOT RECOMMENDED)
(CROSS SECTION B-B INSTALLATION SAME)
(SEE NOTE 1 & 2 THIS SHEET)

PROJECT NO. ACE-2020-106

REV	DESCRIPTION	DATE	BY

ECO GLASS, LLC
144 HOPE STREET
LONGWOOD, FL 32750

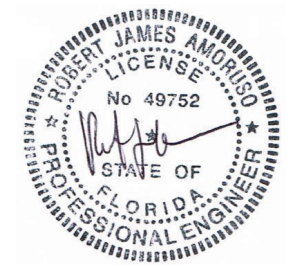
TITLE: SERIES S-3720 HORIZONTAL SLIDING WINDOW (XO OR OX)
VERTICAL SECTION A - CLIP INSTALLATION

DATE: 10/9/20
DRAWING NO: ECOGLASS001
SHEET: 5 OF 9

DRAWN BY: RJA
SCALE: N.T.S.
REV: ---

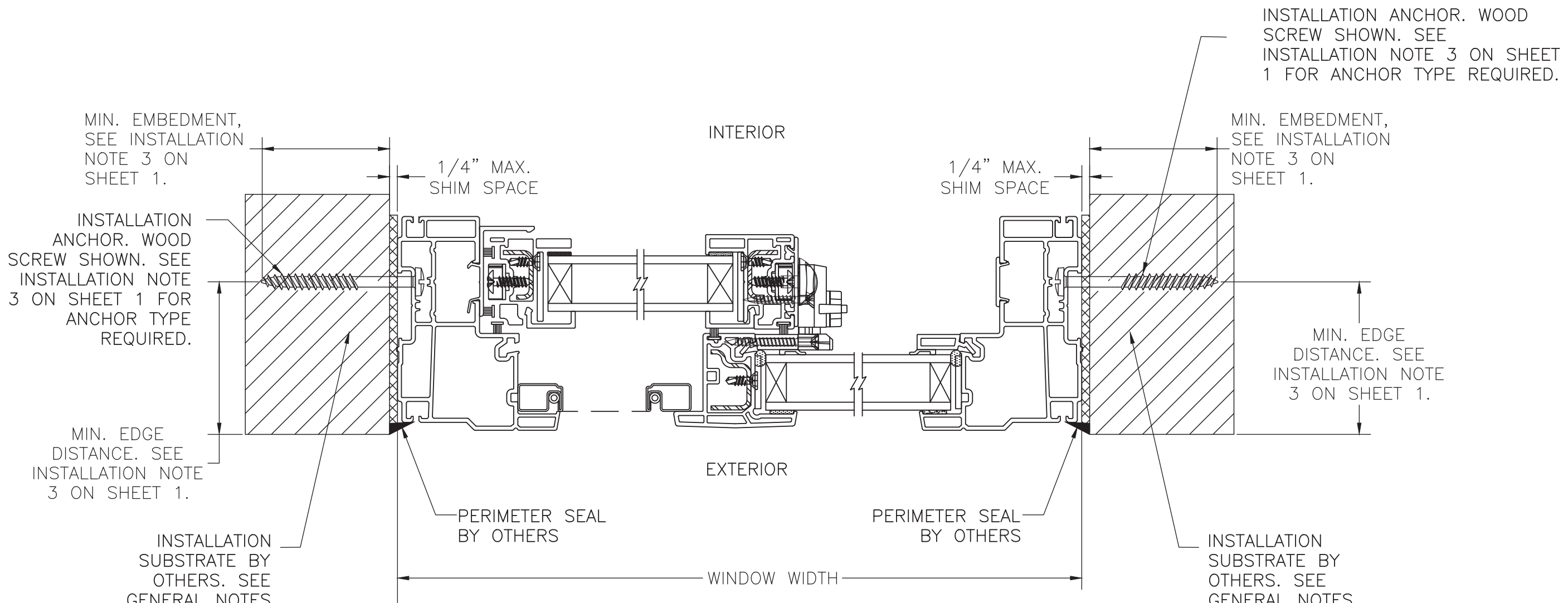
321-207-0507 | info@vk-ecoglass.com

Robert J. Amoruso, P.E.
Florida P.E. No. 49752



Digitally signed
by Robert J
Amoruso
Date: 2020.10.09
17:04:39 -04'00'

12472 LAKE UNDERHILL RD.
SUITE NO. 148
ORLANDO, FL 32828
robert.amoruso@comcast.net



INSTALLATION ANCHOR. WOOD SCREW SHOWN. SEE INSTALLATION NOTE 3 ON SHEET 1 FOR ANCHOR TYPE REQUIRED.

MIN. EMBEDMENT, SEE INSTALLATION NOTE 3 ON SHEET 1.

1/4" MAX. SHIM SPACE

1/4" MAX. SHIM SPACE

MIN. EDGE DISTANCE. SEE INSTALLATION NOTE 3 ON SHEET 1.

MIN. EMBEDMENT, SEE INSTALLATION NOTE 3 ON SHEET 1.

INSTALLATION ANCHOR. WOOD SCREW SHOWN. SEE INSTALLATION NOTE 3 ON SHEET 1 FOR ANCHOR TYPE REQUIRED.

MIN. EDGE DISTANCE. SEE INSTALLATION NOTE 3 ON SHEET 1.

INSTALLATION SUBSTRATE BY OTHERS. SEE GENERAL NOTES 2 AND 3 ON SHEET 1.

PERIMETER SEAL BY OTHERS

PERIMETER SEAL BY OTHERS

INSTALLATION SUBSTRATE BY OTHERS. SEE GENERAL NOTES 2 AND 3 ON SHEET 1.

WINDOW WIDTH

SEE SHEET 3, INSTALLATION DETAIL A FOR THROUGH FRAME ANCHOR DETAILS

HORIZONTAL CROSS SECTION C-C
WOOD FRAMING, 2X WOOD BUCK,
CONCRETE/MASONRY OR STEEL STUD APPROVED

PROJECT NO. ACE-2020-106

REV	DESCRIPTION	DATE	BY

ECO GLASS, LLC
144 HOPE STREET
LONGWOOD, FL 32750

TITLE: SERIES S-3720 HORIZONTAL SLIDING WINDOW (XO OR OX)
HORIZONTAL SECTION C - THROUGH FRAME INSTALLATION

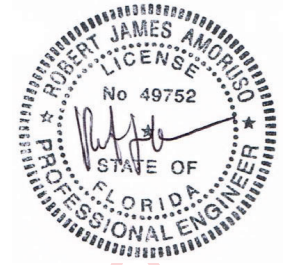
DATE: 10/9/20
DRAWING NO: ECOGLASS001
SHEET: 6 OF 9

DRAWN BY: RJA
SCALE: N.T.S.
REV: ---

ECO GLASS
ADVANCED FLORIDA WINDOW SOLUTION

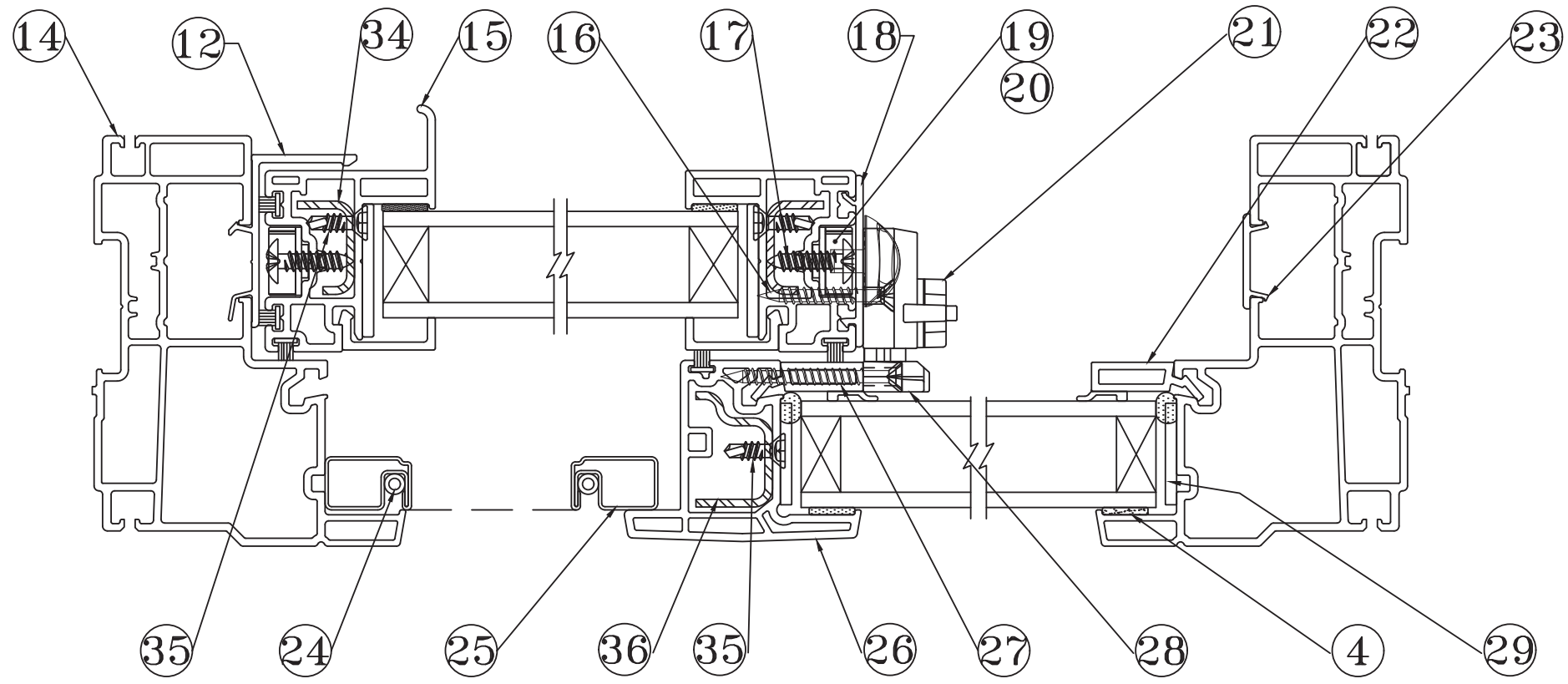
321-207-0507 | info@vk-ecoglass.com

Robert J. Amoruso, P.E.
Florida P.E. No. 49752

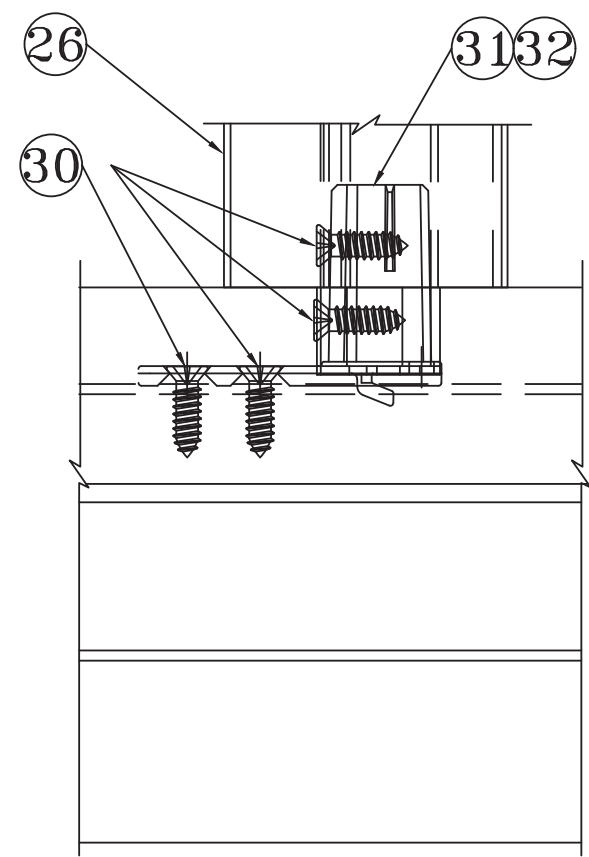


Digitally signed
by Robert J
Amoruso
Date: 2020.10.09
17:04:51 -04'00'

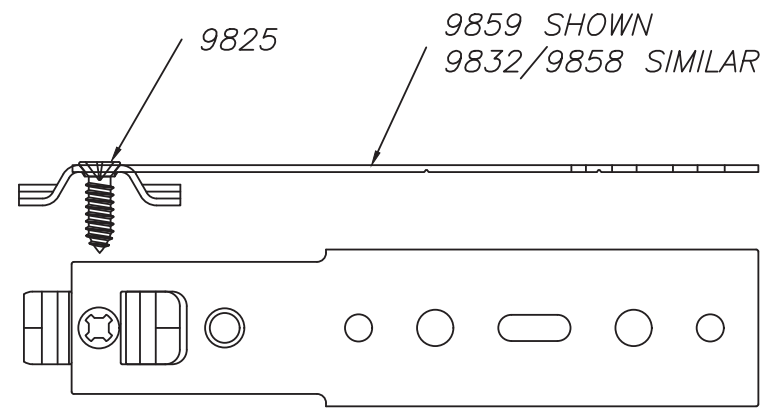
12472 LAKE UNDERHILL RD.
SUITE NO. 148
ORLANDO, FL 32828
robert.amoruso@comcast.net



HORIZONTAL CROSS SECTION C-C



MEETING RAIL TO FRAME ANCHOR DETAIL



INSTALLATION CLIP 9859 SHOWN 9832 & 9858 SIMILAR (CLIP LENGTH AND FASTENER HOLE PATTERN VARIES)

PROJECT NO. ACE-2020-106

REV	DESCRIPTION	DATE	BY

ECO GLASS, LLC
144 HOPE STREET
LONGWOOD, FL 32750

TITLE: SERIES S-3720 HORIZONTAL SLIDING WINDOW (XO OR OX)
HORIZONTAL COMPONENT CROSS-SECTION & CLIP

DRAWN BY: RJA
SCALE: N.T.S.
REV: ---

DATE: 10/9/20
DRAWING NO: ECOGLASS001
SHEET: 9 OF 9

321-207-0507 | info@vk-ecoglass.com

Robert J. Amoruso, P.E.
Florida P.E. No. 49752



Digitally signed
by Robert J
Amoruso
Date: 2020.10.09
17:05:32 -04'00'

12472 LAKE UNDERHILL RD.
SUITE NO. 148
ORLANDO, FL 32828
robert.amoruso@comcast.net