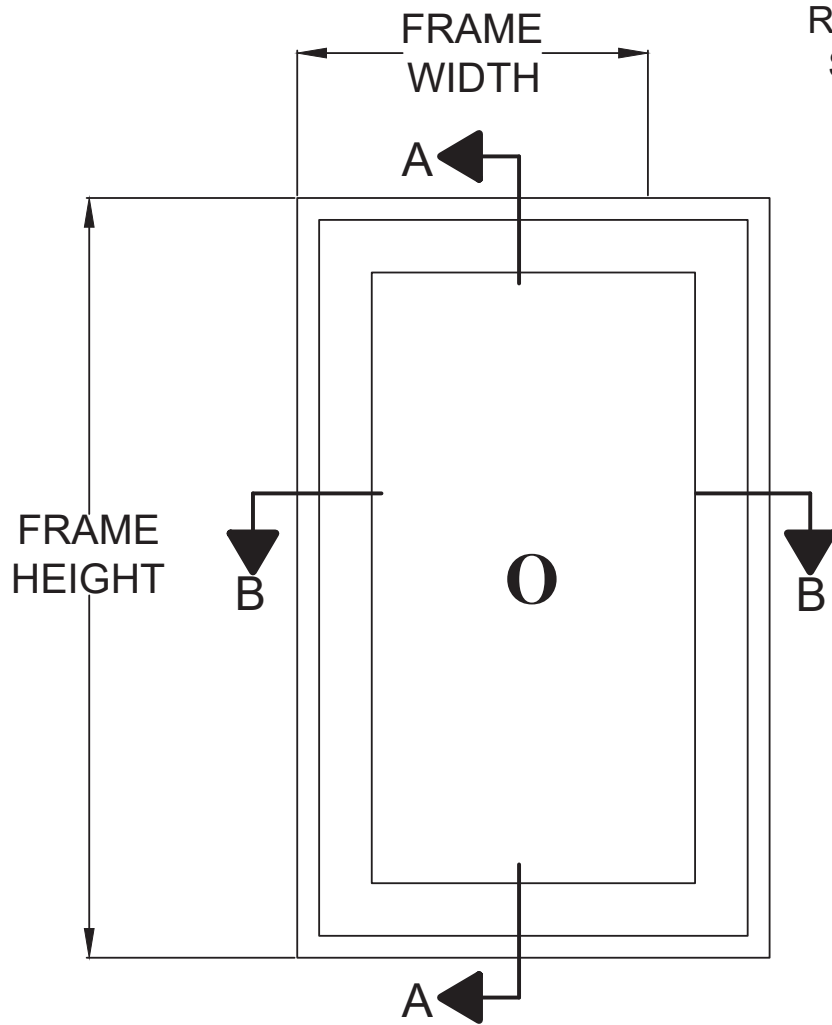


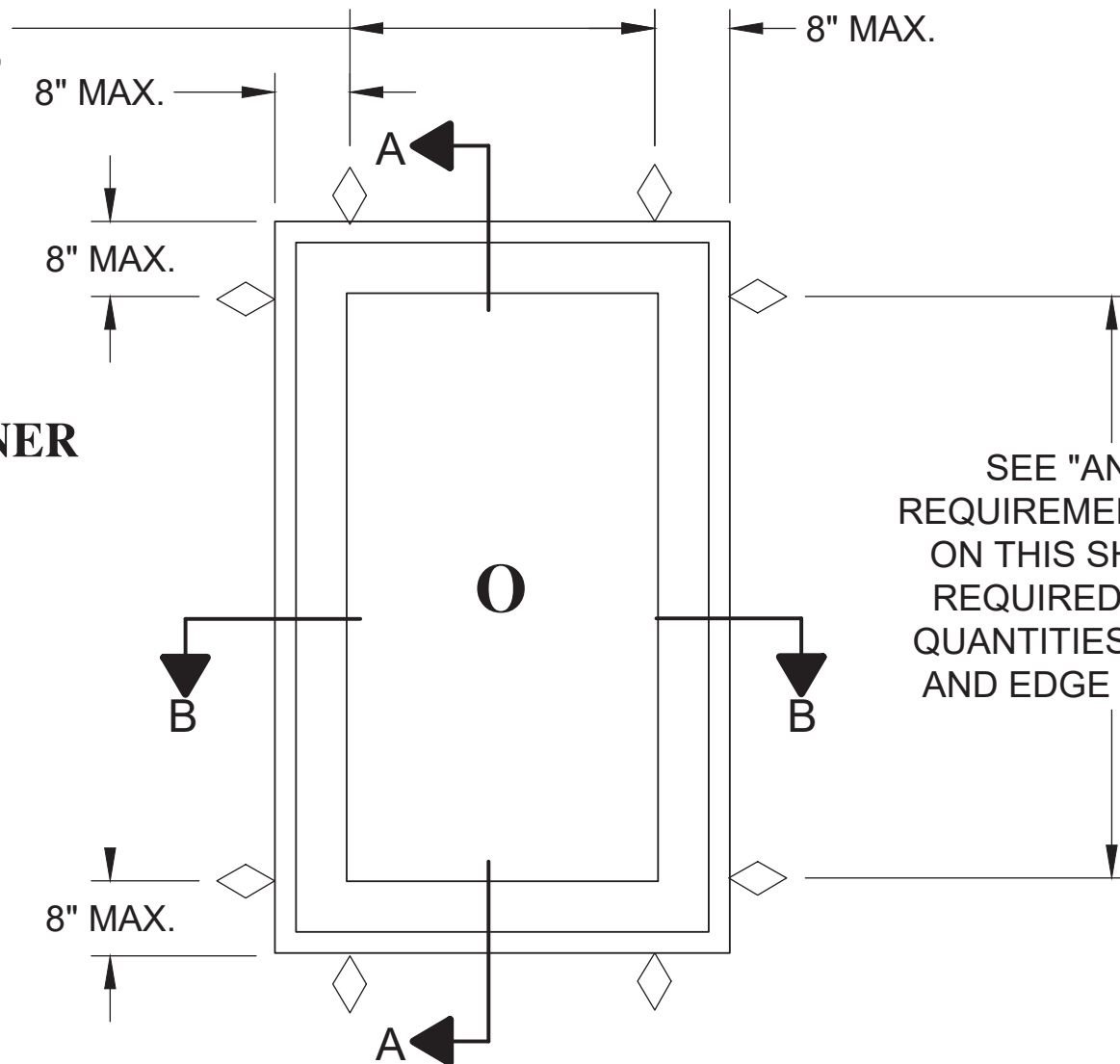
SEE "ANCHOR REQUIREMENTS"
TABLE ON THIS SHEET FOR
REQUIRED ANCHOR QUANTITIES,
SPACING AND EDGE DISTANCE



**SERIES S-3940 FIXED CASEMENT
WINDOW**
EXTERIOR VIEW

MAXIMUM SIZES	
FRAME	59" x 71" (NOMINAL) 59.06" X 70.87"
DLO	52.48" X 64.5"

◇ ANCHOR/FASTENER



SEE "ANCHOR
REQUIREMENTS" TABLE
ON THIS SHEET FOR
REQUIRED ANCHOR
QUANTITIES, SPACING
AND EDGE DISTANCE

ANCHOR REQUIREMENTS TABLE								
FRAME SIZE (in)	INSTALLATION TYPE	DP (psf)	HEAD/SILL			JAMBS		
			Qty	SPC (in)	ED (in)	Qty	SPC (in)	ED (in)
59X71	THRU-FRAME	75	7	7.17	8.00	9	6.88	8.00
	CLIP		5	10.75	8.00	6	11.00	8.00

**BLOCK/EQUAL LEG THROUGH
FRAME INSTALLATION and CLIP INSTALLATION**
EXTERIOR VIEW

PROJECT NO. ACE-2020-106

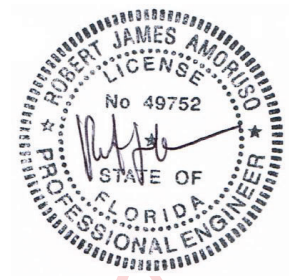
ECO GLASS, LLC
144 HOPE STREET
LONGWOOD, FL 32750

TITLE: SERIES S-3940 FIXED CASEMENT WINDOW
EXTERIOR ELEVATION AND ANCHORAGE

DRAWN BY: RJA
SCALE: N.T.S.
DATE: 9/4/20
DRAWING NO: ECOGLASS006
SHEET: 2 OF 8



Robert J. Amoruso, P.E.
Florida P.E. No. 49752



Digitally signed
by Robert J
Amoruso
Date: 2020.10.09
17:52:14 -04'00'

12472 LAKE UNDERHILL RD.
SUITE NO. 148
ORLANDO, FL 32828
robert.amoruso@comcast.net

PROJECT NO. ACE-2020-106

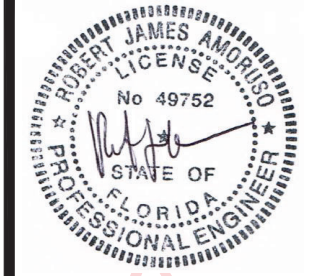
REV	DESCRIPTION	DATE	BY

ECO GLASS, LLC
 144 HOPE STREET
 LONGWOOD, FL 32750
 SERIES S-3940 FIXED CASEMENT WINDOW
 INSTALLATION DETAILS A & B

DRAWN BY:	RJA	DATE:	9/4/20
SCALE:	N.T.S.	DRAWING NO.:	ECOGLOSS006
REV:	---	SHEET:	3 OF 8

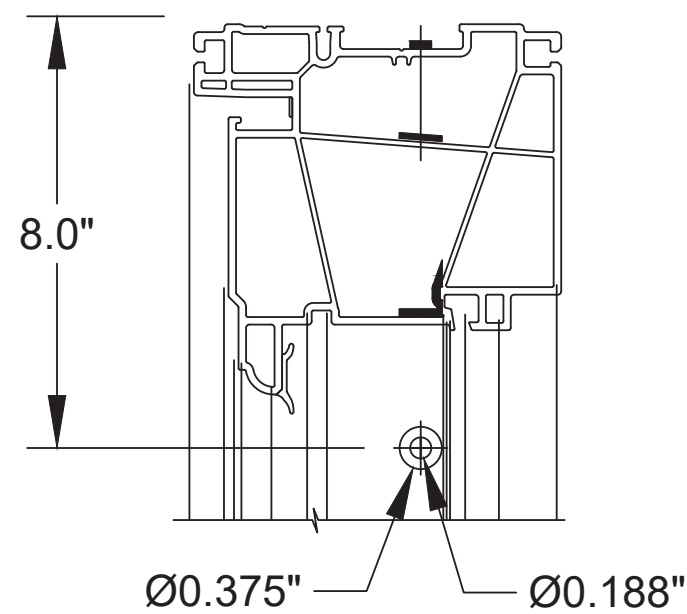
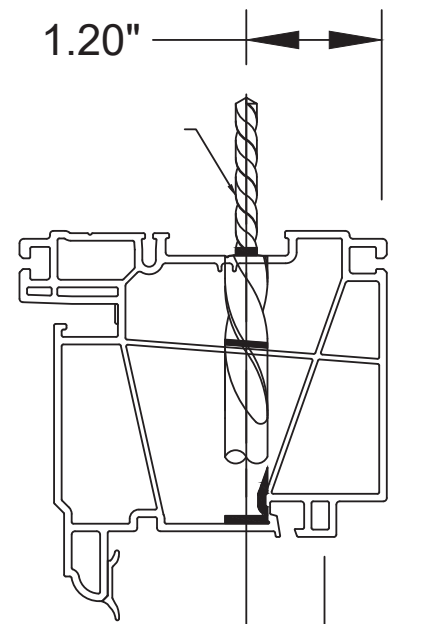


Robert J. Amoruso, P.E.
 Florida P.E. No. 49752

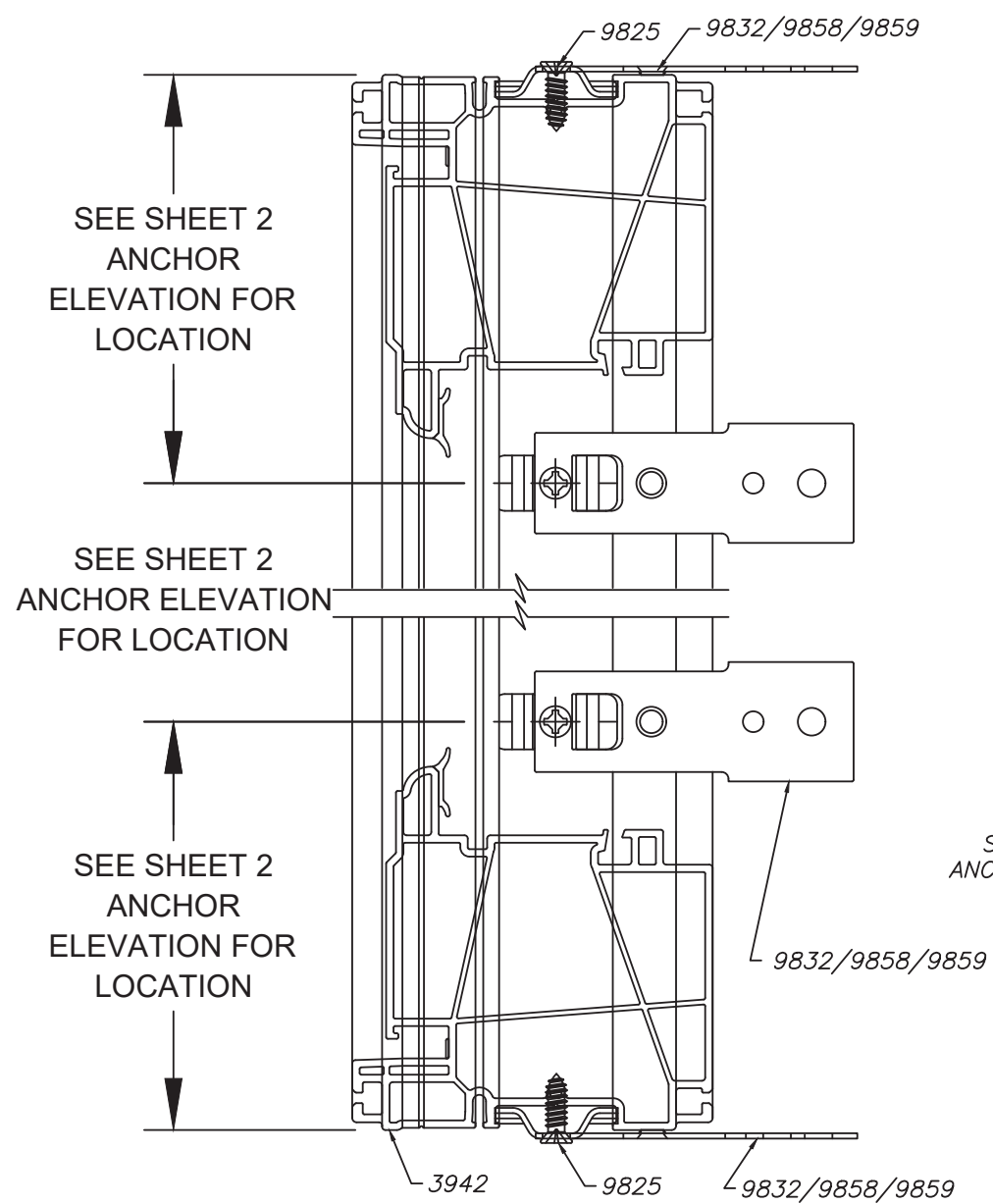


Digitally signed
 by Robert J
 Amoruso
 Date: 2020.10.09
 17:52:36 -04'00'

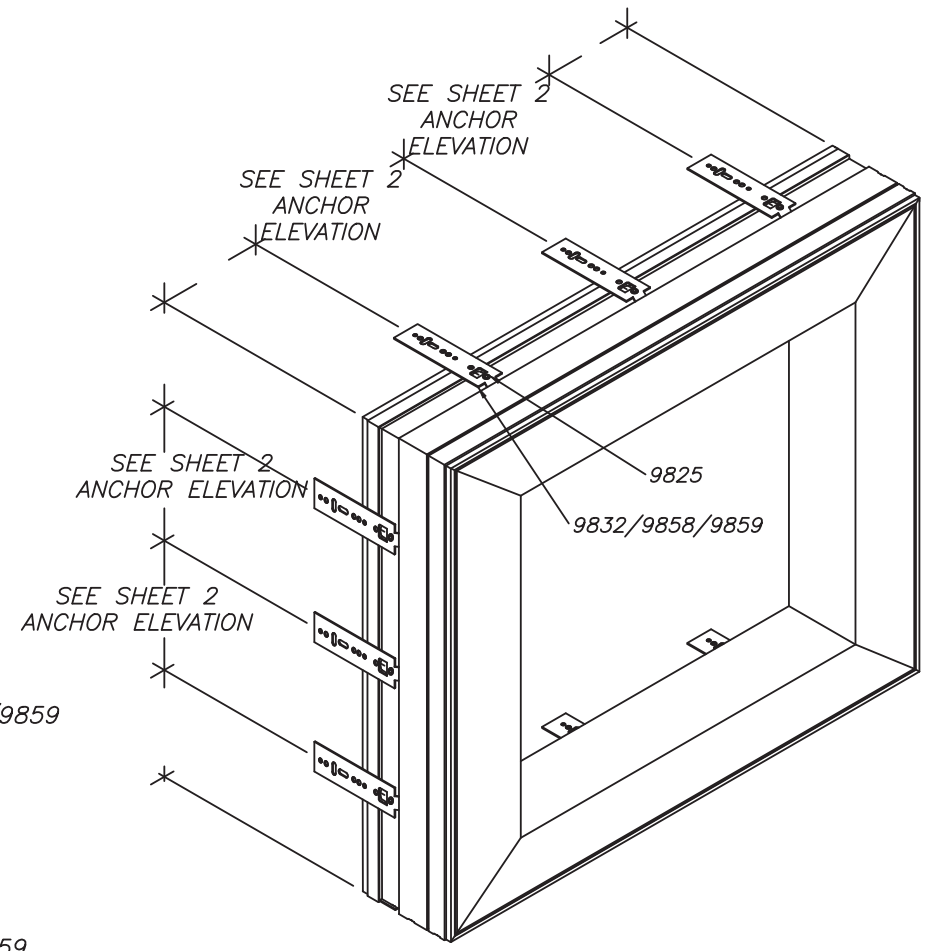
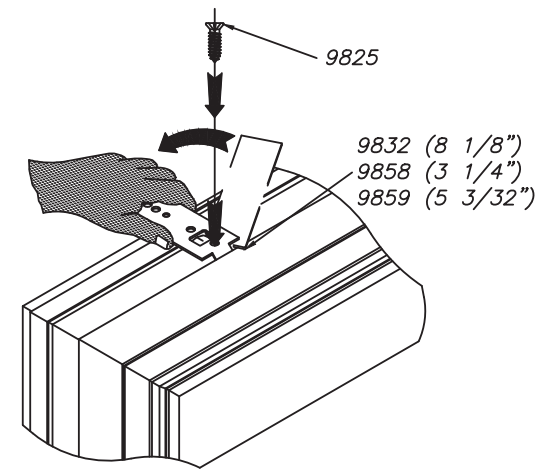
12472 LAKE UNDERHILL RD.
 SUITE NO. 148
 ORLANDO, FL 32828
 robert.amoruso@comcast.net



**THROUGH-FRAME
 INSTALLATION DETAIL A**



CLIP INSTALLATION DETAIL B



MIN. EDGE DISTANCE. SEE
INSTALLATION NOTE 3 ON
SHEET 1.

INSTALLATION
SUBSTRATE BY
OTHERS. SEE
GENERAL NOTES 2
AND 3 ON SHEET 1.

INSTALLATION ANCHOR. WOOD
SCREW SHOWN. SEE INSTALLATION
NOTE 3 ON SHEET 1 FOR ANCHOR
TYPE REQUIRED.

MIN. EMBEDMENT,
SEE INSTALLATION
NOTE 3 ON SHEET 1.

1/4" MAX.
SHIM SPACE

PERIMETER SEAL
BY OTHERS

SEE SHEET 3,
INSTALLATION DETAIL A
FOR THROUGH FRAME
ANCHOR DETAILS

EXTERIOR

INTERIOR

WINDOW
HEIGHT
7.707"

PERIMETER SEAL
BY OTHERS

1/4" MAX.
SHIM SPACE

INSTALLATION
SUBSTRATE BY
OTHERS. SEE
GENERAL NOTES 2
AND 3 ON SHEET 1.

MIN. EMBEDMENT,
SEE INSTALLATION
NOTE 3 ON SHEET 1.

INSTALLATION ANCHOR. WOOD
SCREW SHOWN. SEE
INSTALLATION NOTE 3 ON SHEET
1 FOR ANCHOR TYPE REQUIRED.

MIN. EDGE DISTANCE. SEE
INSTALLATION NOTE 3 ON
SHEET 1.

**VERTICAL CROSS SECTION A-A
THROUGH FRAME INSTALLATION**

WOOD FRAMING, 2X WOOD BUCK,
CONCRETE/MASONRY OR STEEL STUD APPROVED
(CROSS SECTION B-B INSTALLATION SAME)

PROJECT NO. ACE-2020-106

REV	DESCRIPTION	DATE	BY

ECO GLASS, LLC
144 HOPE STREET
LONGWOOD, FL 32750

TITLE: SERIES S-3940 FIXED CASEMENT WINDOW
VERTICAL SECTION A - THROUGH FRAME INSTALLATION

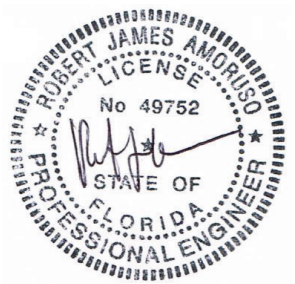
DATE: 9/4/20
DRAWING NO: ECOGLASS006
SHEET: 4 OF 8

DRAWN BY: RJA
SCALE: N.T.S.
REV: ---

ECO GLASS
ADVANCED FLORIDA WINDOW SOLUTION

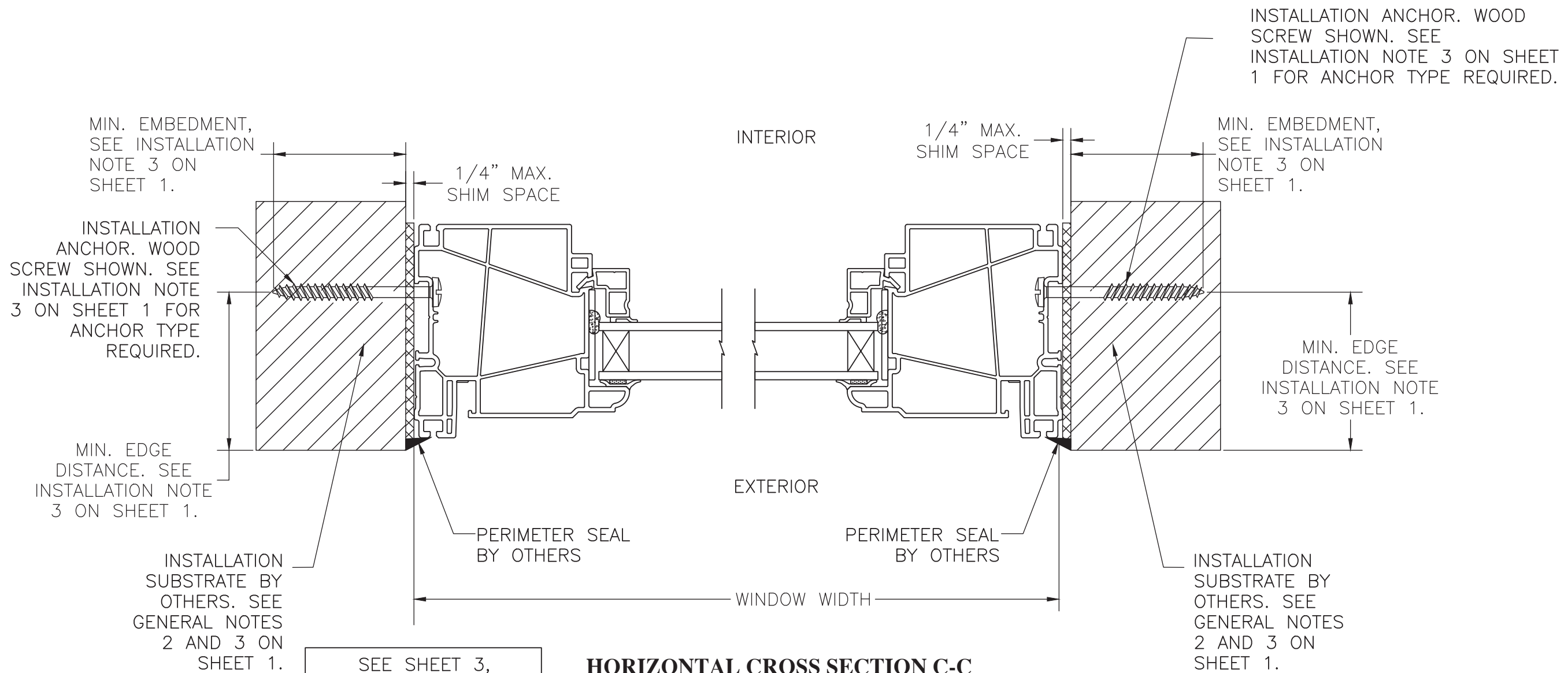
321-207-0507 | info@vk-ecoglass.com

Robert J. Amoruso, P.E.
Florida P.E. No. 49752



Digitally signed
by Robert J
Amoruso
Date: 2020.10.09
17:52:49 -04'00'

12472 LAKE UNDERHILL RD.
SUITE NO. 148
ORLANDO, FL 32828
robert.amoruso@comcast.net



SEE SHEET 3, INSTALLATION DETAIL A FOR THROUGH FRAME ANCHOR DETAILS

HORIZONTAL CROSS SECTION C-C
 WOOD FRAMING, 2X WOOD BUCK,
 CONCRETE/MASONRY OR STEEL STUD APPROVED

PROJECT NO. ACE-2020-106

REV	DESCRIPTION	DATE	BY

ECO GLASS, LLC
 144 HOPE STREET
 LONGWOOD, FL 32750

TITLE: SERIES S-3940 FIXED CASEMENT WINDOW
 HORIZONTAL SECTION C - THROUGH FRAME INSTALLATION

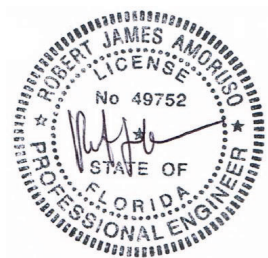
DATE: 9/4/20
 DRAWING NO: ECOGLASS006
 SHEET: 6 OF 8

DRAWN BY: RJA
 SCALE: N.T.S.
 REV: ---

ECO GLASS
 ADVANCED FLORIDA WINDOW SOLUTION

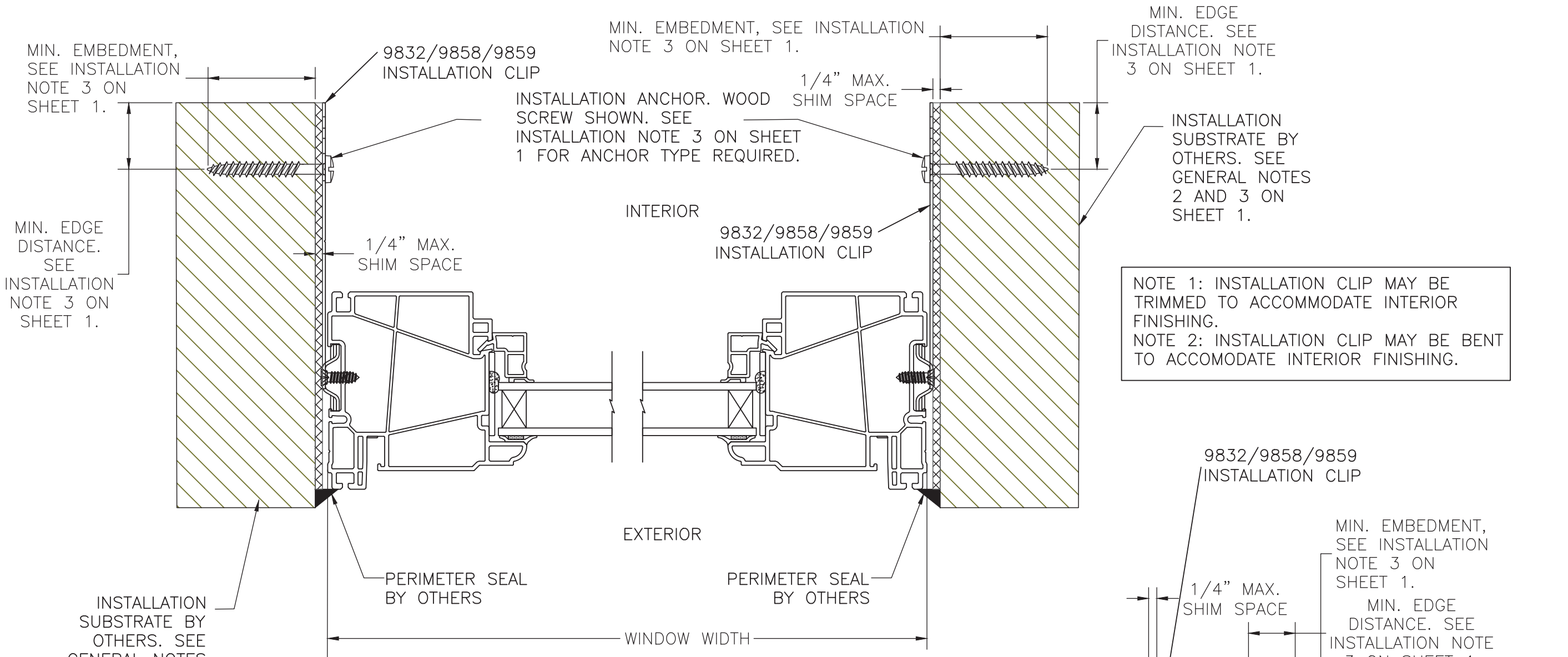
321-207-0507 | info@vkeccoglass.com

Robert J. Amoruso, P.E.
 Florida P.E. No. 49752

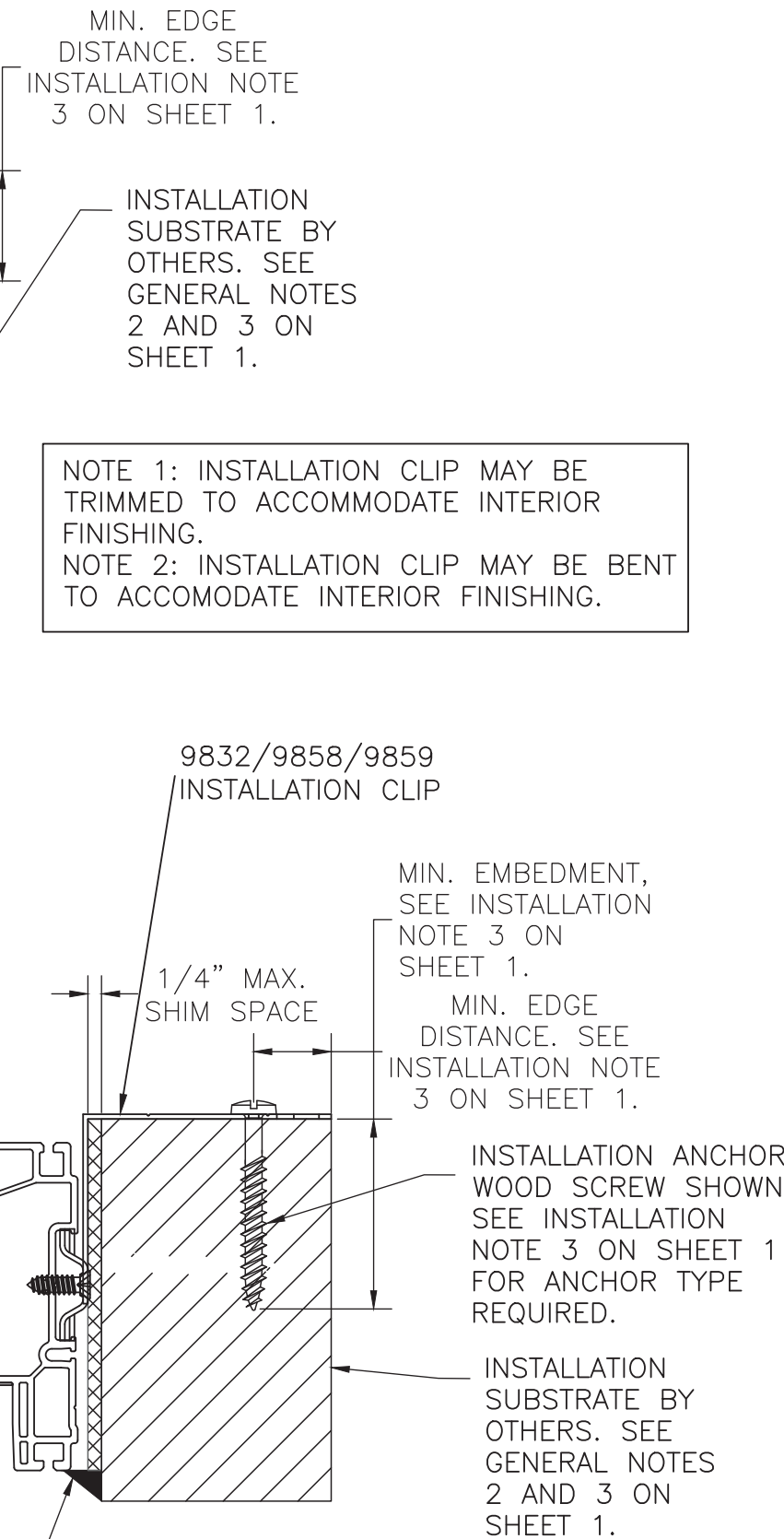


Digitally signed
 by Robert J
 Amoruso
 Date: 2020.10.09
 17:53:13 -04'00'

12472 LAKE UNDERHILL RD.
 SUITE NO. 148
 ORLANDO, FL 32828
 robert.amoruso@comcast.net



HORIZONTAL CROSS SECTION C-C
WOOD FRAMING, 2X WOOD BUCK,
CONCRETE/MASONRY OR STEEL STUD APPROVED



HORIZONTAL CROSS SECTION C-C
ALTERNATE CLIP INSTALLATION
(RIGHT JAMB SHOWN, LEFT JAMB SAME)
WOOD FRAMING, 2X WOOD BUCK OR STEEL STUD
APPROVED (CONCRETE/MASONRY NOT RECOMMENDED)
(SEE NOTE 1 & 2 THIS SHEET)

NOTE 1: INSTALLATION CLIP MAY BE TRIMMED TO ACCOMMODATE INTERIOR FINISHING.
NOTE 2: INSTALLATION CLIP MAY BE BENT TO ACCOMMODATE INTERIOR FINISHING.

SEE SHEET 3,
INSTALLATION DETAIL
B FOR CLIP ANCHOR
DETAILS

PROJECT NO. ACE-2020-106		REV	DESCRIPTION	DATE	BY

ECO GLASS, LLC
144 HOPE STREET
LONGWOOD, FL 32750

TITLE: SERIES S-3940 FIXED CASEMENT WINDOW
HORIZONTAL SECTION C - CLIP INSTALLATION

DRAWN BY: RJA
SCALE: N.T.S.
REV: ---

DATE: 9/4/20
DRAWING NO: ECOGLASS006
SHEET: 7 OF 8

321-207-0507 | info@vk-ecoglass.com

Robert J. Amoruso, P.E.
Florida P.E. No. 49752

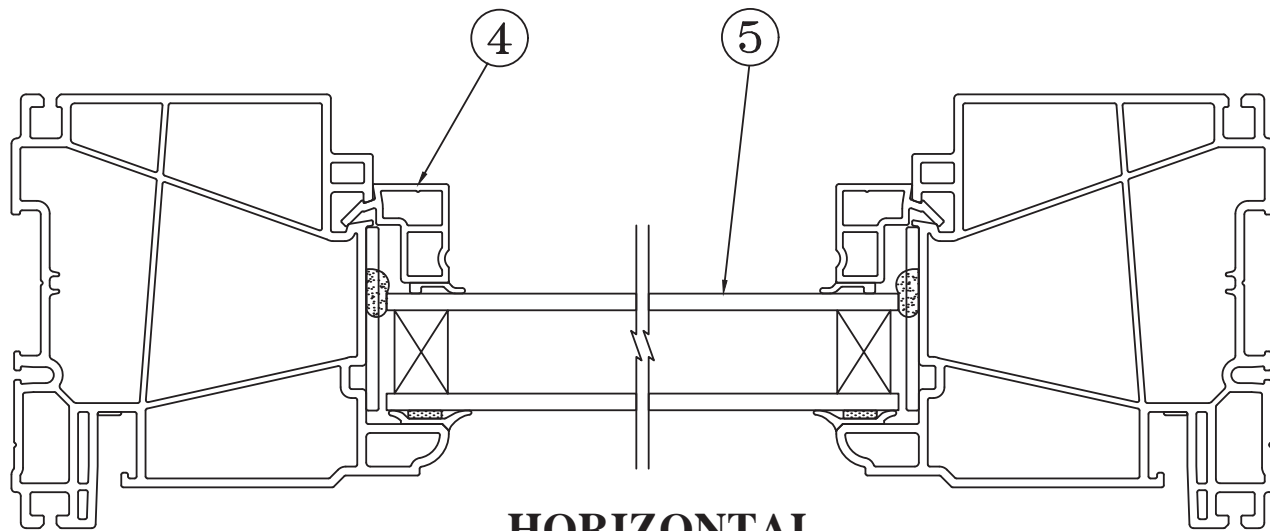


Digitally signed
by Robert J
Amoruso
Date: 2020.10.09
17:53:23 -04'00'

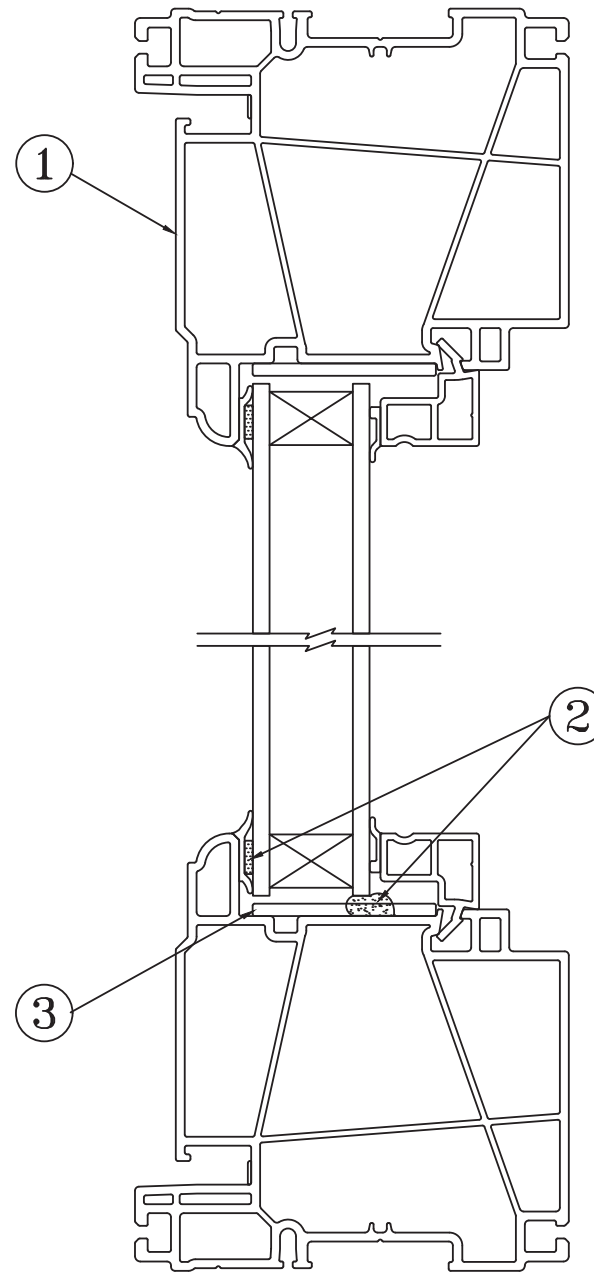
12472 LAKE UNDERHILL RD.
SUITE NO. 148
ORLANDO, FL 32828
robert.amoruso@comcast.net

Item	PART No.	Item Description	Source
1	3942	Main frame	P.H. Tech
2		Sealant	Various
3	9819	Setting block	P.H. Tech
* 4	5815, 5776, 5777, 5800, 5801, 5802, 5803, 5804, 5805	Glazing bead	P.H. Tech
5		Glass	Various

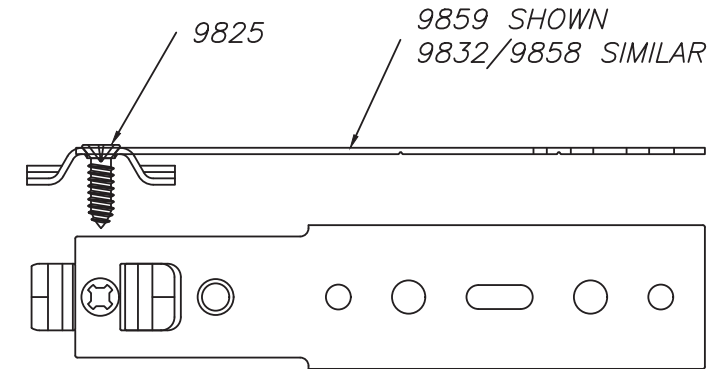
* = Options



**HORIZONTAL
CROSS SECTION B-B**



**VERTICAL CROSS
SECTION A-A**



INSTALLATION CLIP
9859 SHOWN
9832 & 9858 SIMILAR
(CLIP LENGTH AND FASTENER HOLE
PATTERN VARIES)

PROJECT NO. ACE-2020-106			
REV	DESCRIPTION	DATE	BY

ECO GLASS, LLC
144 HOPE STREET
LONGWOOD, FL 32750

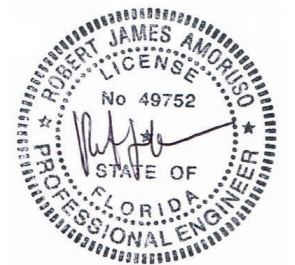
TITLE: SERIES S-3940 FIXED CASEMENT WINDOW
BILL OF MATERIALS & COMPONENT CROSS-SECTION

DRAWN BY: RJA
SCALE: N.T.S.
REV: ---

DATE: 9/4/20
DRAWING NO: ECOGLASS006
SHEET: 8 OF 8

321-207-0507 | info@vk-ecoglass.com

Robert J. Amoruso, P.E.
Florida P.E. No. 49752



Digitally signed
by Robert J
Amoruso
Date: 2020.10.09
17:53:34 -04'00'