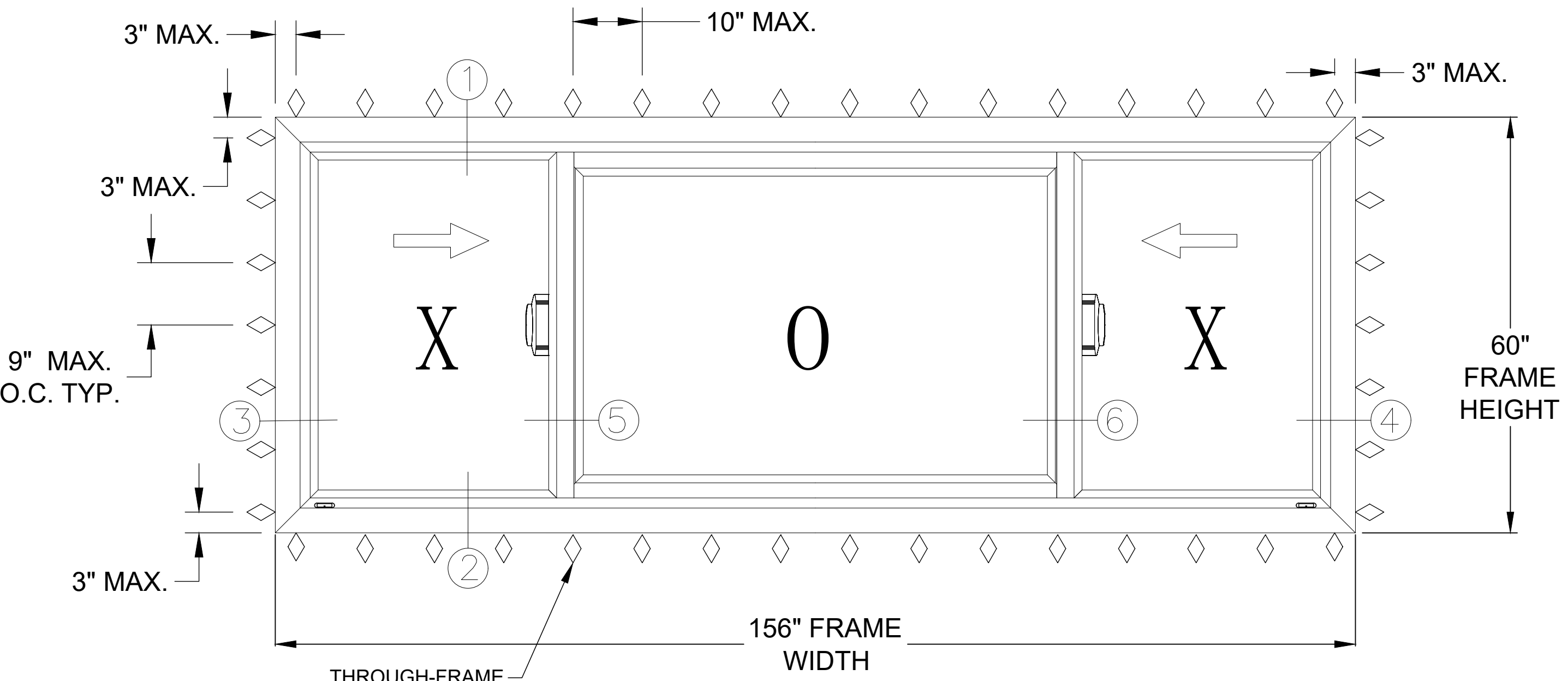


MAXIMUM SIZES	
FRAME	156" X 60"
SASH	38.06" X 57.63"
MAX. DLO	75.5" X 56.94"

**SERIES "NOVA"
HORIZONTAL SLIDING
WINDOW**
EXTERIOR VIEW

PROJECT NO. ACE-2021-118					
REV				DESCRIPTION	DATE
					BY




9" MAX.
O.C. TYP.

THROUGH-FRAME
ANCHOR AT RAIL CAN
BE MOVED +/-3" MAX IF
REQUIRED.

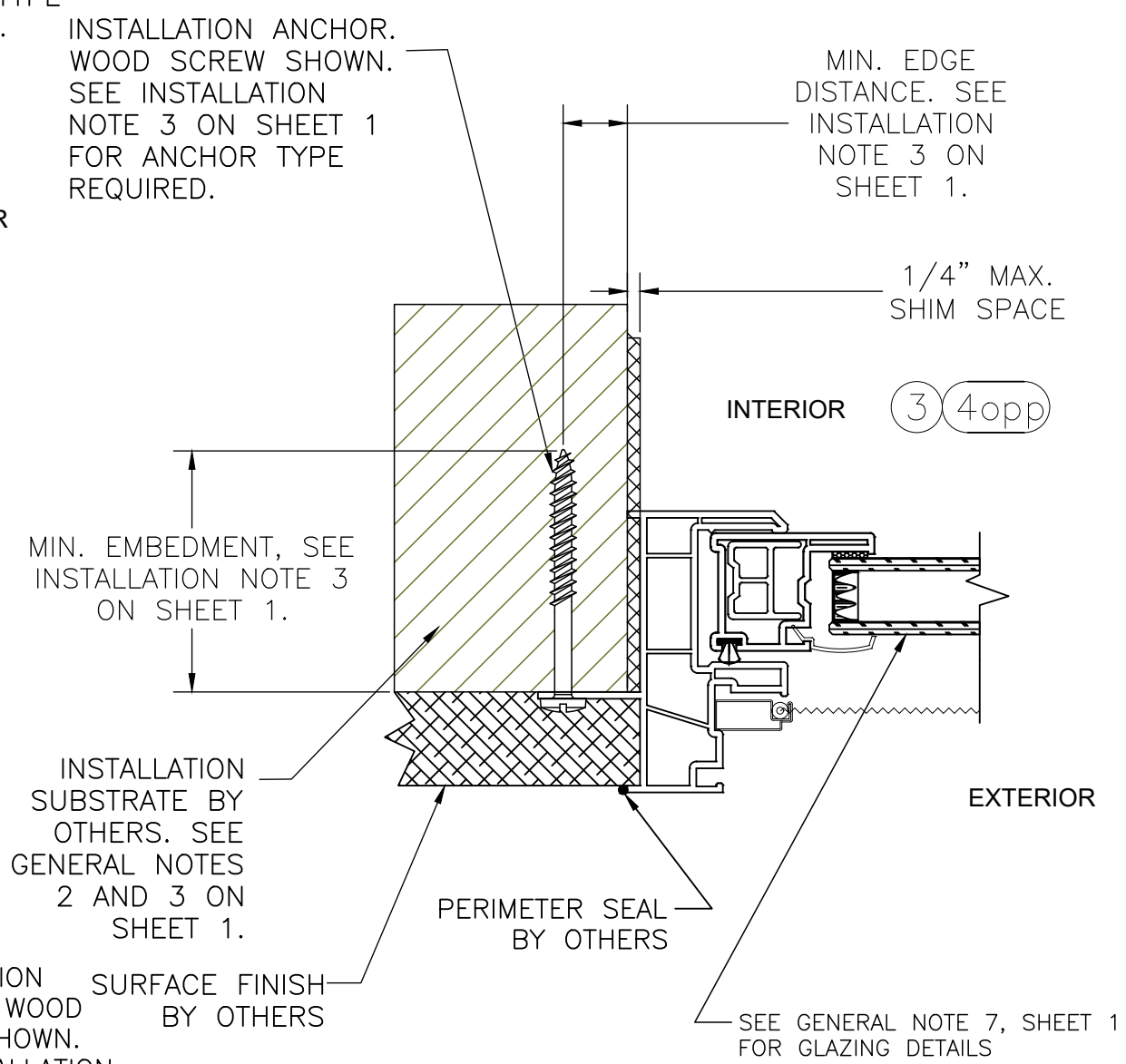
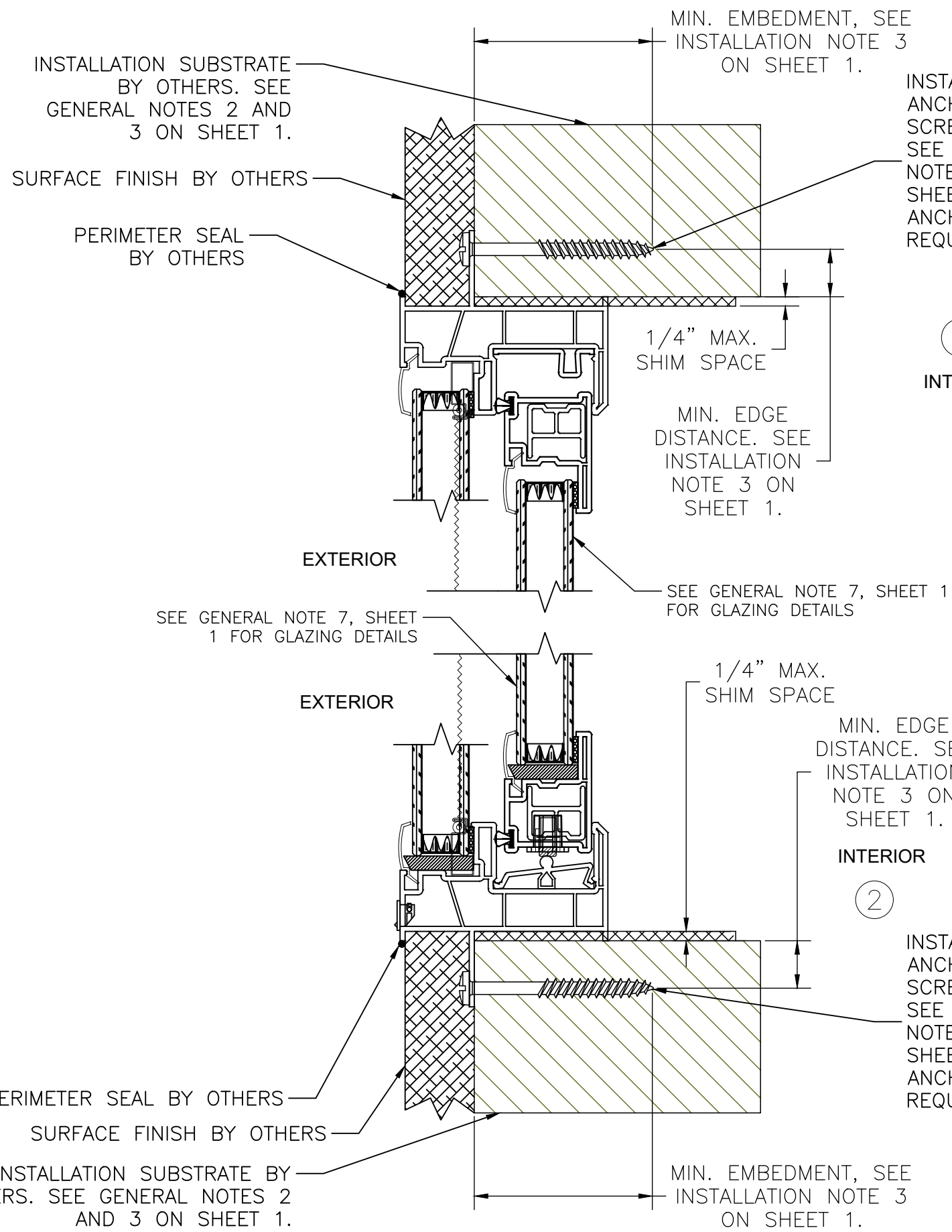
 **ANCHOR/FASTENER**

**NAILING FIN AND
BLOCK/EQUAL LEG THROUGH
FRAME INSTALLATION**
EXTERIOR VIEW

ECO GLASS, LLC 144 HOPE STREET LONGWOOD, FL 32750		DATE: 7/23/21	DRAWING NO: ECOGLASS015	SHEET: 2 OF 6
TITLE: SERIES "NOVA" HORIZONTAL SLIDING WINDOW EXTERIOR ELEVATION AND ANCHORAGE		DRAWN BY: RJA	SCALE: N.T.S.	REV: ---
 321-207-0507 info@vk-ecoglass.com				

Robert J. Amoruso, P.E.
Florida P.E. No. 49752

VERTICAL & HORIZONTAL CROSS SECTIONS
NAILING FIN FRAME INSTALLATION
 WOOD FRAMING AND 2X WOOD BUCK



①
INTERIOR

③ ④ opp

②
INTERIOR

PROJECT NO. ACE-2021-118

ECO GLASS, LLC
 144 HOPE STREET
 LONGWOOD, FL 32750

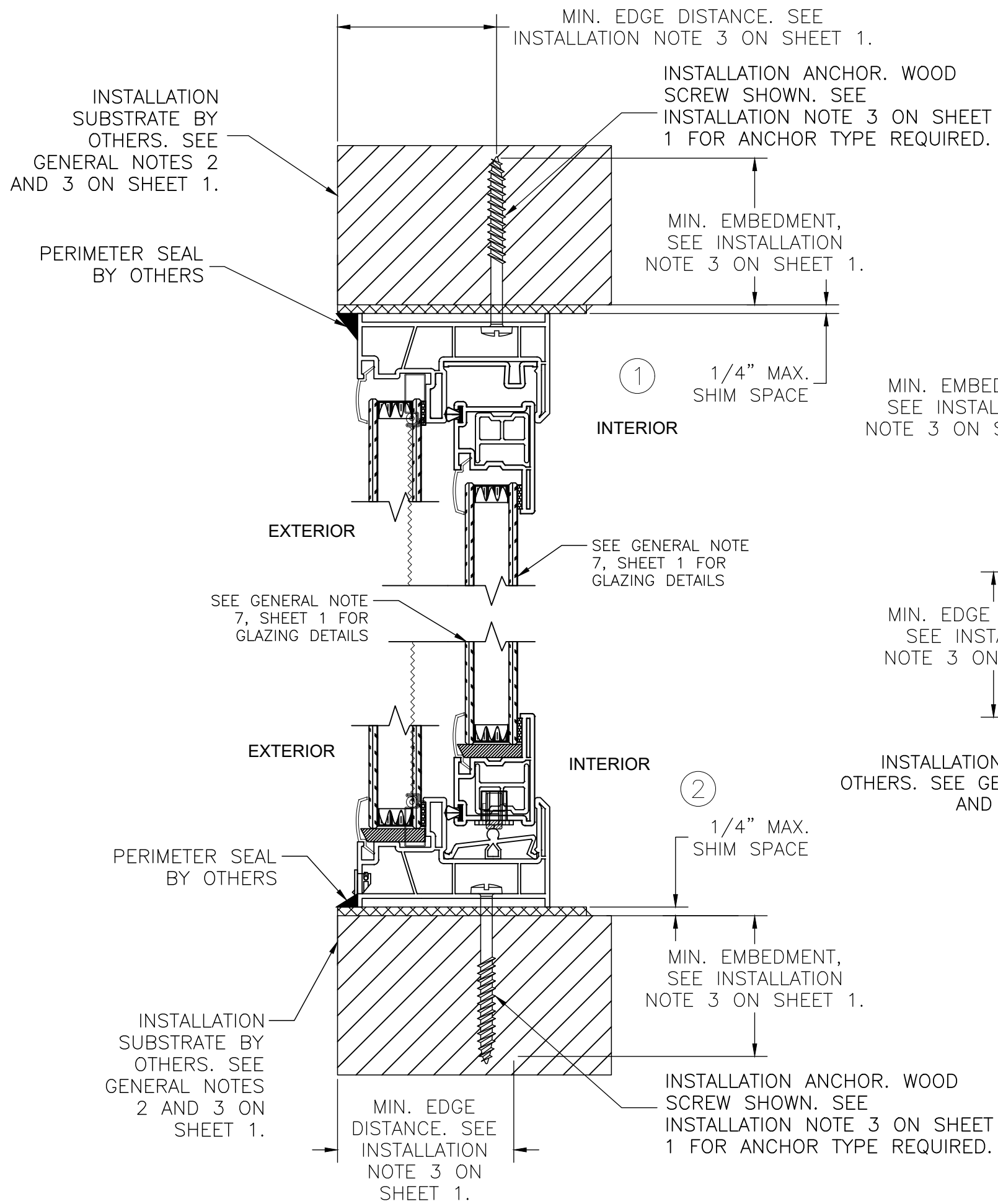
TITLE: SERIES "NOVA" HORIZONTAL SLIDING WINDOW
 VERTICAL & HORIZONTAL SECTIONS - NAILING FIN FRAME INSTALLATION

DATE:	7/23/21
DRAWN BY:	RJA
SCALE:	N.T.S.
DRAWING NO.:	ECOGLOSS015
SHEET:	3 OF 6
REV:	---

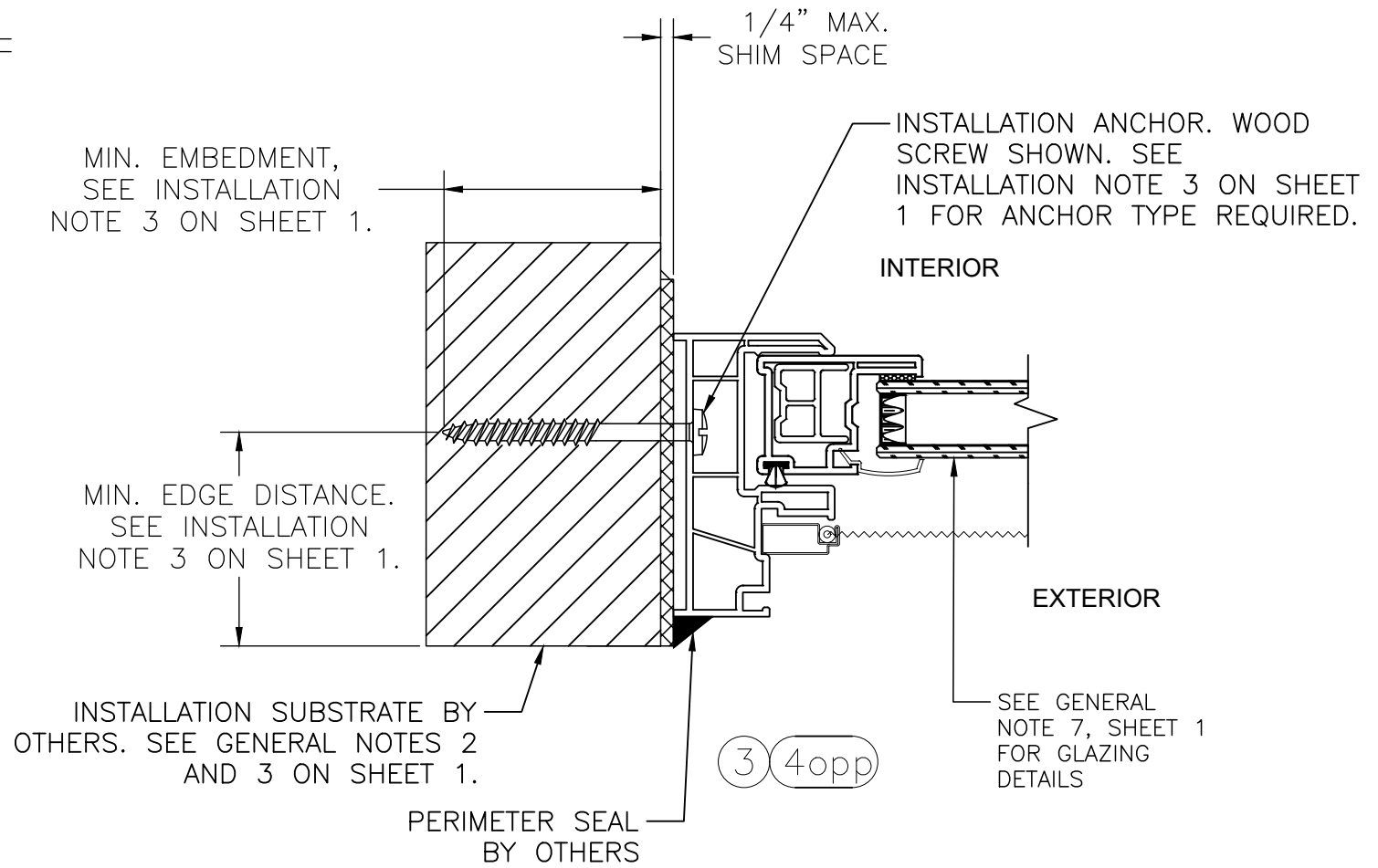


Robert J. Amoruso, P.E.
 Florida P.E. No. 49752

734 S Center St.
 Ormond Beach, FL 32174
 rjaengpe@gmail.com



VERTICAL & HORIZONTAL CROSS SECTIONS
THROUGH FRAME INSTALLATION
 WOOD FRAMING AND 2X WOOD BUCK



PROJECT NO. ACE-2021-118

ECO GLASS, LLC
 144 HOPE STREET
 LONGWOOD, FL 32750

TITLE: SERIES "NOVA" HORIZONTAL SLIDING WINDOW VERTICAL & HORIZONTAL SECTIONS - THROUGH FRAME INSTALLATION

DRAWN BY: RJA DATE: 7/23/21

SCALE: N.T.S. DRAWING NO: ECOGLASS015

REV: --- SHEET: 4 OF 6



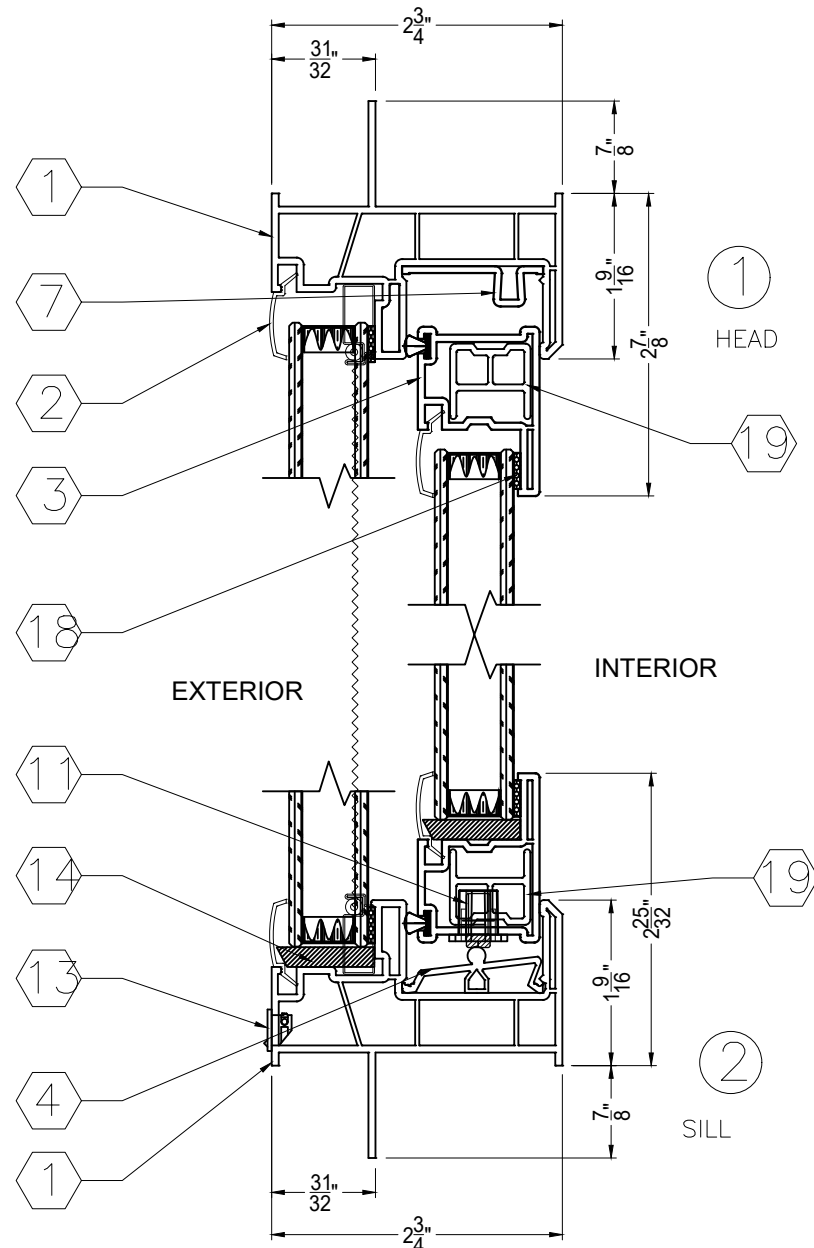
321-207-0507 | info@vk-ecoglass.com

Robert J. Amoruso, P.E.
 Florida P.E. No. 49752

734 S Center St.
 Ormond Beach, FL 32174
 rjaengpe@gmail.com

REV	DESCRIPTION	DATE	BY

SERIES "NOVA" HORIZONTAL SLIDING WINDOW



BOM					
INDEX	PART NUMBER	DESCRIPTION	QTY	VENDOR	MATERIAL
1	FE-8003	IM-XO FRAME W/ RETRO-FIT FIN	4	Value Wholesaler	PVC
2	FE-8012	GLAZING BEAD	12	Value Wholesaler	PVC
3	FE-8009	SASH FRAME	8	Value Wholesaler	PVC
4	FEI-2008-TI	ROLLER TRACK	1	Value Wholesaler	PVC
5	FE-8006	STILE	2	Value Wholesaler	PVC
6	FE-8007	INTERLOCK	2	Value Wholesaler	PVC
7	FE-8011	ANTI-LIFT	2	Value Wholesaler	PVC
8	ST-06	FIXED STILE REINFORCEMENT	2	QUANEX	Galvanized iron
9	STGS-07	LOCK STILE REINFORCEMENT	2	QUANEX	Galvanized iron
10	8-9220 SK01-3006-000	PRO-LATCH STRIKER	2	INTERLOCK	Die Casting
10.1	8-9220 SK04-0005	SLIM PRO-LATCH MECHANISM	2	INTERLOCK	Die Casting
10.2	8-9220 SK04-0016-0WH	LOCK COVER	2	INTERLOCK	Die Casting
11	1132-A	ROLLER	4	Value Wholesaler	PA6 + GF
12	AL-56-53	SCREEN FRAME	8	Value Wholesaler	Anodized Aluminum
12.1	0156-0000	SCREEN RUBBER SEAL	-	Value Wholesaler	EPDM
12.2	301A	SCREEN CONNECTOR-1	4	Value Wholesaler	PP
12.3	301B	SCREENTOR-2	4	Value Wholesaler	PP
13	1267-0000	WEEP HOLE COVER	2	Value Wholesaler	PC
14	SB-001 and SB-003	SETTING BLOCK	6	Value Wholesaler	PVC
15	PP-018-570-625 / 29023045WHGZ	WEATHER STRIPPING	-	Value Wholesaler	AMESBURY
16	(860-56H-357 / 860-37H-357 etc.)	DUALITE SPACER	3	QUANEX	-
16.1	VARIES	GLASS	3	CARDINAL	-
16.2	315W / BT413W	ADHESIVE TAPE	3	Value Wholesaler	-
17	PR-07	COVER FOR 8006	4	Value Wholesaler	ASA957
18	DT-18	Double-tape 1/6"x3/8"x150"(32 Roll/box)	-	Value Wholesaler	-
19	ALGS-02	ACTIVE SASH LEAD STILE AND TOP & BOTTOM RAILS REINFORCEMENT	4	QUANEX	Aluminum

PROJECT NO. ACE-2021-118

ECO GLASS, LLC
144 HOPE STREET
LONGWOOD, FL 32750

TITLE: SERIES "NOVA" HORIZONTAL SLIDING WINDOW
COMPONENTS - BILL OF MATERIALS & ELEVATION

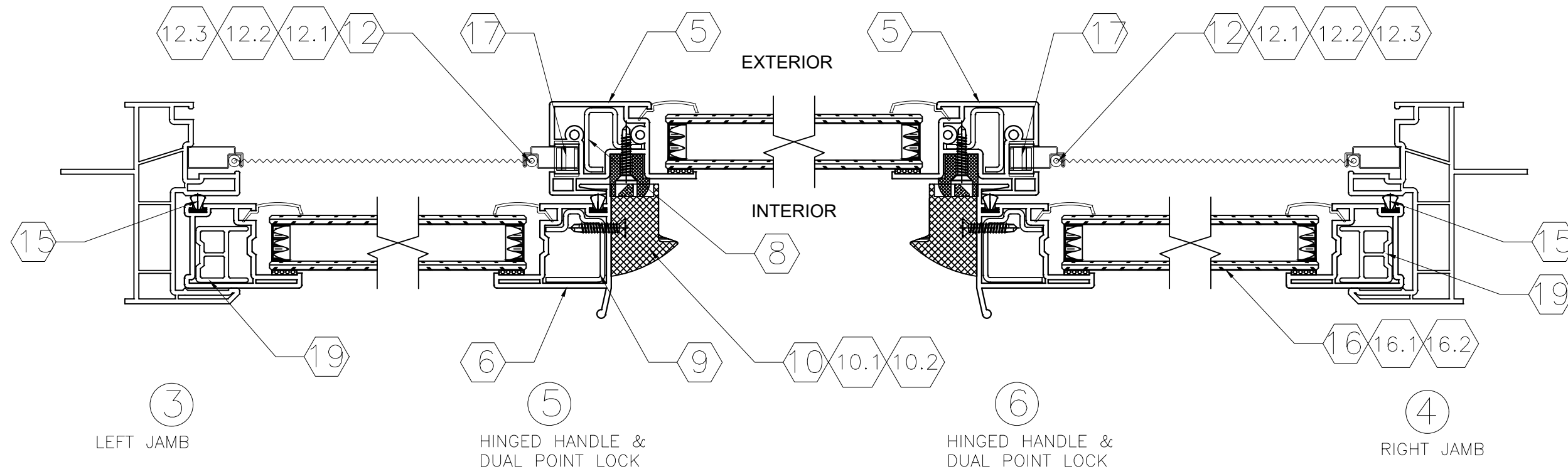
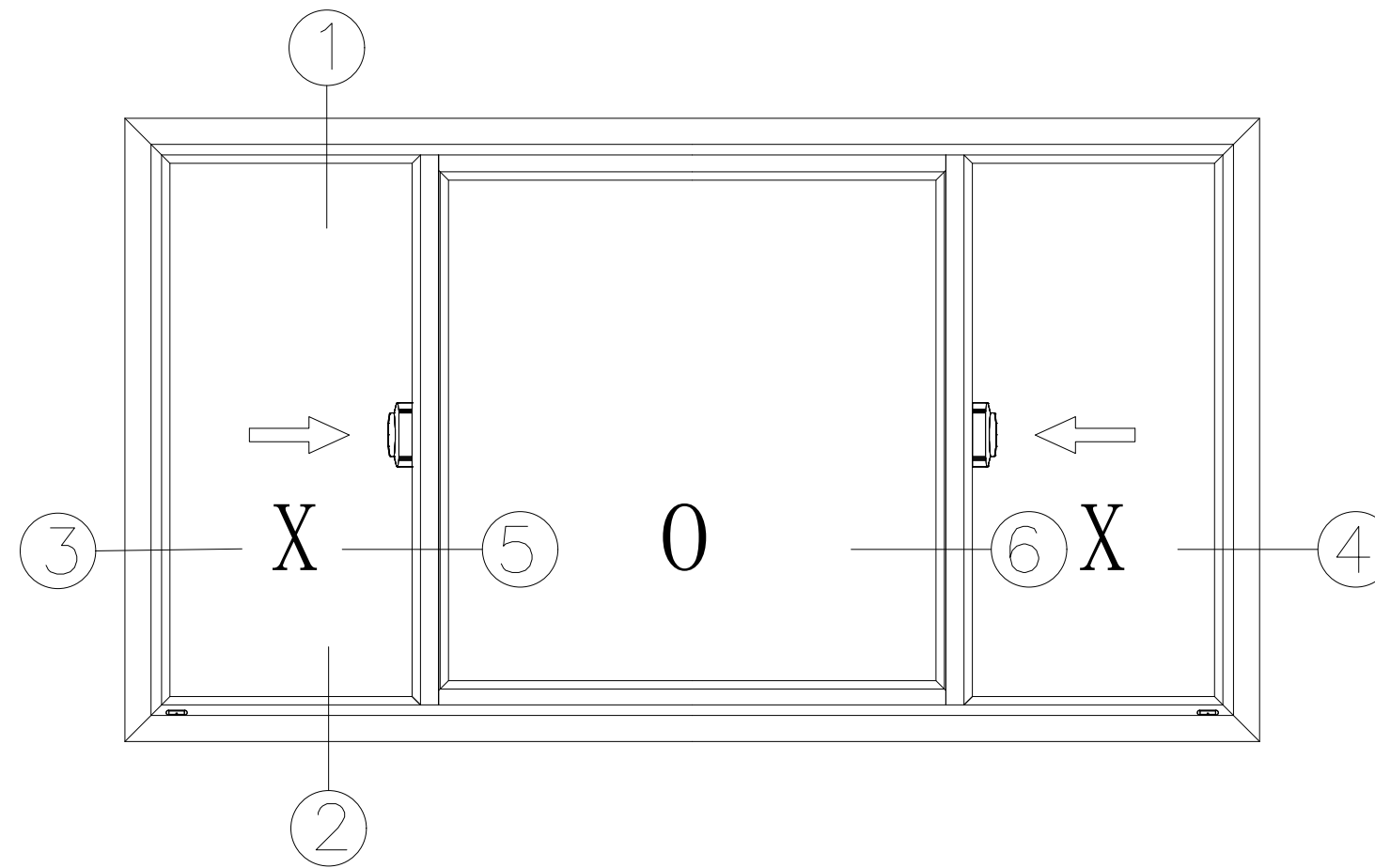
DRAWN BY: RJA
DATE: 7/23/21
SCALE: N.T.S.
SHEET: 5 OF 6

ECO GLASS
ADVANCED FLORIDA WINDOW SOLUTION
321-207-0507 | info@vk-ecoglass.com

Robert J. Amoruso, P.E.
Florida P.E. No. 49752

734 S Center St.
Ormond Beach, FL 32174
rjaengpe@gmail.com

SERIES "NOVA" HORIZONTAL SLIDING WINDOW



PROJECT NO. ACE-2021-118

ECO GLASS, LLC
144 HOPE STREET
LONGWOOD, FL 32750

TITLE: SERIES "NOVA" HORIZONTAL SLIDING WINDOW
COMPONENTS - HORIZONTAL AND VERTICAL SECTIONS

DRAWN BY:	RJA	DATE:	7/23/21
SCALE:	N.T.S.	DRAWING NO.:	ECOGLOSS015
REV:	---	SHEET:	6 OF 6



Robert J. Amoruso, P.E.
Florida P.E. No. 49752

734 S Center St.
Ormond Beach, FL 32174
rjaengpe@gmail.com

REV	DESCRIPTION	DATE	BY