

ECO GLASS LLC

SERIES "NOVA" FIXED WINDOW

INSTALLATION ANCHORAGE DETAILS

GENERAL NOTES:

1. THIS PRODUCT HAS BEEN EVALUATED TO COMPLY WITH THE CURRENT PROVISIONS OF THE FLORIDA BUILDING CODE (FBC) EXCLUDING THE HIGH VELOCITY HURRICANE ZONES (HVHZ) AND IS BASED ON TESTING CONDUCTED TO AAMA/WDMA/CSA 101/I.S.2/A440-17 DOCUMENTED IN TEST REPORT NO. T21-064 BY FENESTRATION TESTING LABORATORY, INC.
2. ADEQUACY OF THE EXISTING STRUCTURAL CONCRETE, MASONRY AND 2X FRAMING AS A MAIN WIND FORCE RESISTING SYSTEM CAPABLE OF WITHSTANDING AND TRANSFERRING APPLIED PRODUCT LOADS TO THE FOUNDATION IS THE RESPONSIBILITY OF THE ENGINEER OR ARCHITECT OF RECORD FOR THE PROJECT OF INSTALLATION.
3. 1X BUCK OVER MASONRY AND/OR CONCRETE IS OPTIONAL. WHERE 1X BUCK IS NOT USED DISSIMILAR MATERIALS MUST BE SEPARATED WITH APPROVED COATING OR MEMBRANE. SELECTION OF COATING OR MEMBRANE IS THE RESPONSIBILITY OF THE ARCHITECT OR ENGINEER OF RECORD.
4. THE INSTALLATION DETAILS DESCRIBED HEREIN ARE GENERIC AND MAY NOT REFLECT ACTUAL CONDITIONS FOR A SPECIFIC SITE. IF THE INSTALLATION METHODS DEVIATE FROM THESE APPROVED DETAILS THIS WOULD REQUIRE FURTHER INVESTIGATION BY A LICENSED OR REGISTERED DESIGN PROFESSIONAL.
5. IN AREAS WHERE WINDBORNE DEBRIS PROTECTION REQUIREMENTS EXIST, USE OF AN IMPACT PROTECTIVE SYSTEM COMPLYING WITH THE FBC REQUIREMENTS FOR WINDBORNE DEBRIS REGIONS SHALL BE REQUIRED:
6. MATERIALS:
 - 6.1. FRAME: RIGID VINYL
7. GLAZING:
 - 7.1. INSULATING GLASS UNIT 20 MM (0.75") O.A. THICKNESS
 - 7.1.1. FIXED GLAZING CONFIGURATION
 - 7.1.1.1. GLASS THICKNESS 4MM (5/32") ANNEALED
 - 7.1.1.2. AIR GAP 11MM (0.4375")
 - 7.1.2. GLAZING METHOD
 - 7.1.2.1. OUTSIDE GLAZED: DOUBLE-SIDED ADHESIVE FOAM TAPE. SETTING BLOCK 1/8" HIGH WERE SET AT QUARTER POINTS ON THE SILL. PVC SNAP-IN GLAZING STOP APPLIED FULL PERIMETER ON THE OUTSIDE OF THE IGU.
 - 7.1.3. OVERALL (O.A.) THICKNESS AND AIR GAP CAN VARY BASED ON SPACER USED AND WILL NOT AFFECT GLAZING STRENGTH.
 - 7.2. FOR PRODUCTS SMALLER THAN THE TESTED SPECIMEN, GLAZING IS PERMITTED TO BE THINNER AND/OR WEAKER THAN THAT SHOWN IN GENERAL NOTE 7.1 IN ACCORDANCE WITH AAMA/WDMA/CSA 101/I.S.2/A440-17, SECTION 10.2.3.3.1.
 - 7.2.1. IN ACCORDANCE WITH AAMA/WDMA/CSA 101/I.S.2/A440-17, SECTION 10.2.3.4.1, PRODUCTS TESTED WITH INSULATING GLAZING SHALL NOT QUALIFY THAT PRODUCT WHEN GLAZED WITH SINGLE GLAZING.
 - 7.3. GLASS MEETS THE REQUIREMENTS OF ASTM E1300-12AE1.
8. PANEL OPERABILITY DESIGNATIONS: X = OPERABLE AND O = FIXED
9. PERIMETER AND JOINT SEALANT BY OTHERS TO BE DETAILED IN ACCORDANCE WITH THE FBC, RESIDENTIAL AND BUILDING VOLUMES AND WITH FMA/AAMA/WDMA PROTOCOLS. PERIMETER AND JOINT SEALANT IS SHOWN FOR ILLUSTRATIVE PURPOSES ONLY AND IS NOT PART OF THIS PRODUCT APPROVAL DOCUMENT.
10. IN ACCORDANCE WITH AAMA/WDMA/CSA 101/I.S.2/A440-17, SECTION 4.4.2.5 MAXIMUM SIZE TESTED (MST), ANY GEOMETRIC SHAPE THAT FITS WITHIN THE GATEWAY SIZE AND SHAPE (OR LARGER TEST SIZE) FOR A PARTICULAR PRODUCT TYPE SHALL BE PERMITTED TO BE QUALIFIED BY THE SHAPE, PROVIDED THAT THE FRAME, SASH, LEAVES, PANELS, HARDWARE, HARDWARE LOCATION, COMPONENTS, AND CONSTRUCTION REMAIN THE SAME.

INSTALLATION NOTES:

1. INSTALL ONE (1) ANCHOR AS INDICATED IN THE SECTION DETAILS ON SHEETS 3 AND 4 AT EACH LOCATION SHOWN IN THE ELEVATION ON SHEET 2.
 - 1.1. LOCATION TOLERANCE IS +/- 1/2".
 - 1.2. FOR WINDOWS SMALLER THAN THAT SHOWN IN SHEET 2 ELEVATION, ANCHOR QUANTITIES CAN BE REDUCED WHILE MAINTAINING THE ANCHOR SPACING AND EDGE DISTANCE SHOWN.
2. SHIM AS REQUIRED AT EACH INSTALLATION ANCHOR WITH A LOAD BEARING SHIM. SHIM WHERE SPACE OF 1/16" OR GREATER OCCURS. MAXIMUM ALLOWABLE SHIM STACK TO BE 1/4".
3. SEE INSTALLATION ANCHOR SCHEDULE ON THIS SHEET FOR ANCHOR TYPE, EMBEDMENT AND EDGE DISTANCE REQUIREMENTS.
 - 3.1. INSTALLATION ANCHORS SHALL BE CORROSION RESISTANT OR HAVE CORROSION RESISTANT COATING.
 - 3.2. SEE INSTALLATION NOTE 4 FOR MINIMUM SUBSTRATE PROPERTIES.
4. INSTALLATION ANCHOR CAPACITIES FOR PRODUCTS HEREIN ARE BASED ON SUBSTRATE MATERIALS WITH THE FOLLOWING PROPERTIES:
 - 4.1. WOOD - MINIMUM SPECIFIC GRAVITY OF 0.42 (NON-HVHZ).
 - 4.2. CONCRETE - MINIMUM COMPRESSIVE STRENGTH OF 2500 PSI.
 - 4.3. MASONRY - STRENGTH CONFORMANCE TO ASTM C-90 MEDIUM WEIGHT WITH COMPRESSIVE STRENGTH OF 1900 psi (DENSITY > 117 PCF).
 - 4.4. STEEL STUD - STRENGTH CONFORMING TO MIN. Fu = 33 KSI AND Ft = 45 KSI. MINIMUM THICKNESS 20 GA.

TABLE OF CONTENTS	
SHEET	DESCRIPTION
1	INSTALLATION AND GENERAL NOTES
2	EXTERIOR ELEVATION AND ANCHORAGE
3	VERTICAL & HORIZONTAL SECTIONS - NAILING FIN FRAME INSTALLATION
4	VERTICAL & HORIZONTAL SECTIONS - THROUGH FRAME INSTALLATION
5	COMPONENTS - BILL OF MATERIALS, CROSS-SECTIONS & ELEVATION

PERFORMANCE RATING		
MAXIMUM WINDOW SIZE (IN)	DESIGN PRESSURE RATING (PSF)	IMPACT RATING
72 x 60	35	NONE

INSTALLATION ANCHORAGE SCHEDULE			
SUBSTRATE TYPE	ANCHOR TYPE	MIN. EMBED. (IN)	MIN. EDGE DIST. (IN)
WOOD (SG = 0.42 MIN.)	NO. 10 PAN HEAD WOOD SCREW, GR. 2 STRENGTH	1 3/8	3/4
CONCRETE (2.5 KSI MIN.)	3/16" HH ITW TAPCON	1 1/2	1 1/8
MASONRY (ASTM C-90 MEDIUM WEIGHT WITH COMPRESSIVE STRENGTH OF 1900 psi (DENSITY > 117 PCF))	3/16" HH ITW TAPCON	1	2
STEEL STUD, 20 GA OR GREATER THICKNESS, MIN. Fu = 33 ksi AND Ft = 45 ksi	NO. 10 SELF-DRILLING SHEET METAL SCREW	FULL THICKNESS OF MEMBER PLUS 3 FULL THREAD LENGTHS PAST INTERIOR	1/2

PROJECT NO. ACE-2021-118

ECO GLASS, LLC
144 HOPE STREET
LONGWOOD, FL 32750

SERIES "NOVA" FIXED WINDOW
INSTALLATION AND GENERAL NOTES

DRAWN BY: RJA
DATE: 7/23/21
SCALE: N.T.S.
REV: ---

DRAWING NO.: ECOGLASS016
SHEET: 1 OF 5

321-207-0507 | info@vk-ecoglass.com

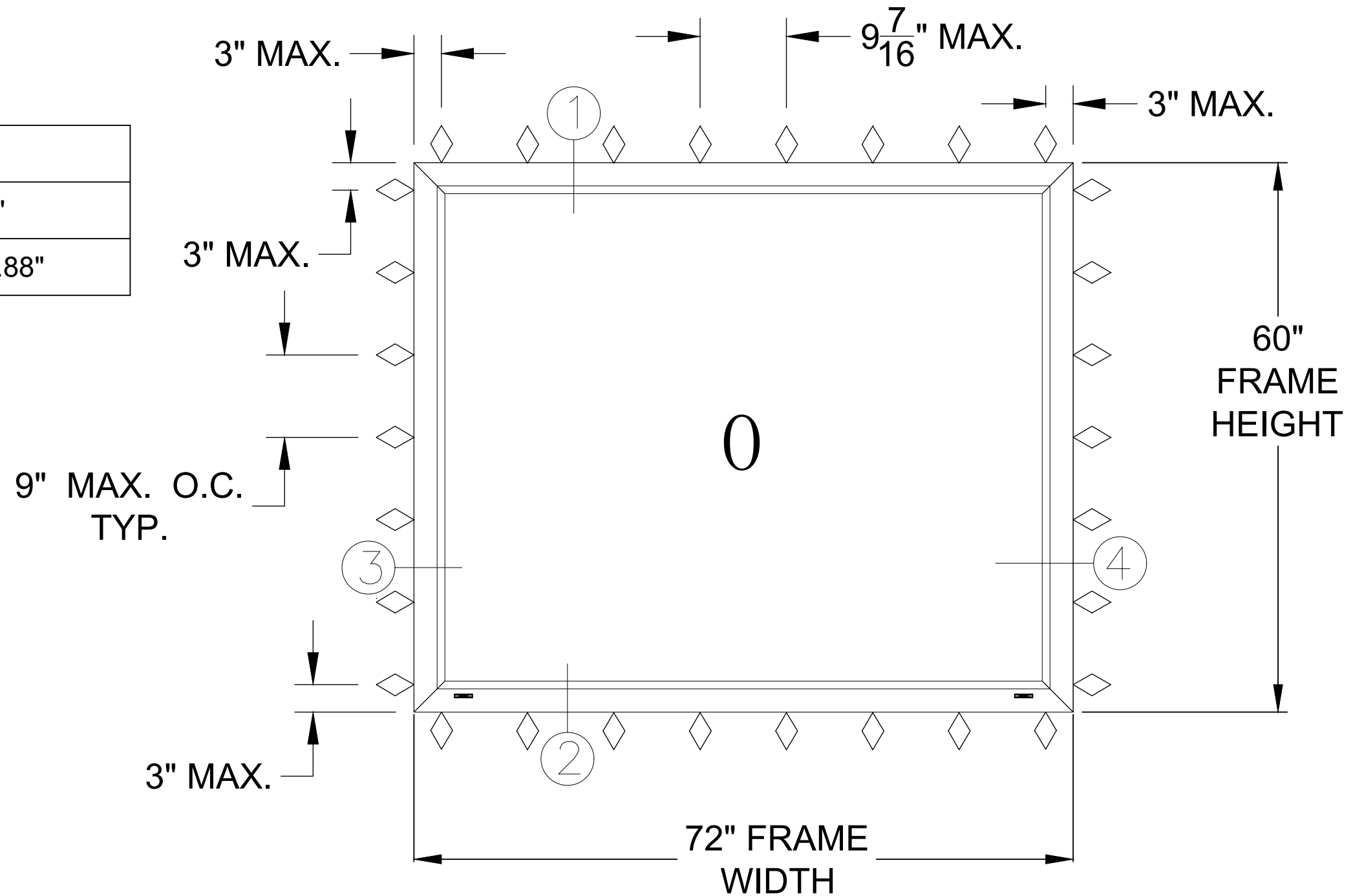
Robert J. Amoruso, P.E.
Florida P.E. No. 49752

734 S Center St.
Ormond Beach, FL 32174
rjaengpe@gmail.com

SERIES "NOVA" FIXED WINDOW

EXTERIOR VIEW

MAXIMUM SIZES	
FRAME	72" X 60"
MAX. DLO	68.75" X 56.88"



◇ ANCHOR/FASTENER

**NAILING FIN AND
BLOCK/EQUAL LEG THROUGH
FRAME INSTALLATION**

EXTERIOR VIEW

PROJECT NO. ACE-2021-118

ECO GLASS, LLC
144 HOPE STREET
LONGWOOD, FL 32750

TITLE: SERIES "NOVA" FIXED WINDOW
EXTERIOR ELEVATION AND ANCHORAGE



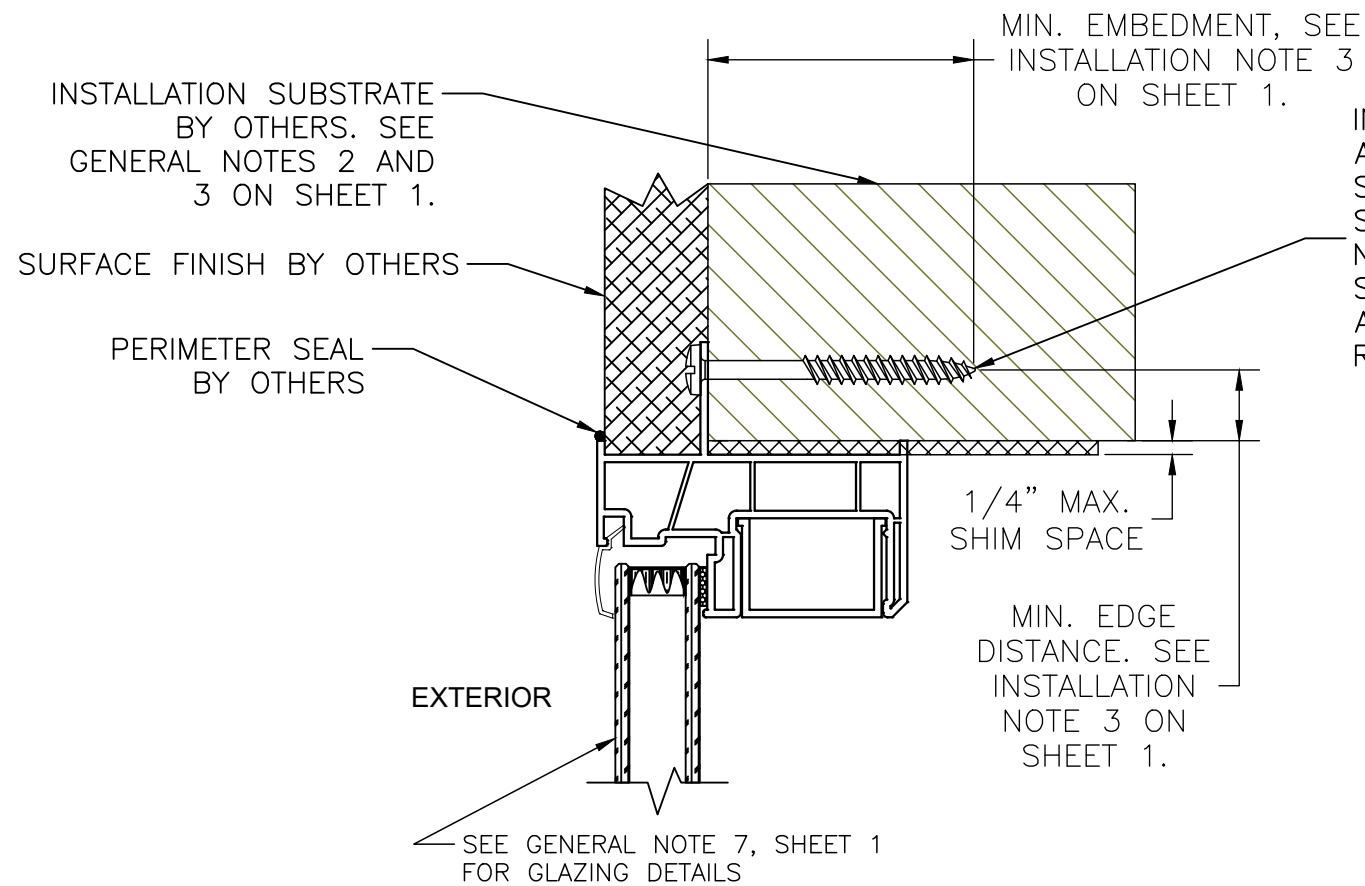
Robert J. Amoruso, P.E.
Florida P.E. No. 49752

734 S Center St.
Ormond Beach, FL 32174
rjaengpe@gmail.com

DATE:	7/23/21
DRAWN BY:	RJA
SCALE:	N.T.S.
DRAWING NO.:	ECOGLOSS016
REV:	---
SHEET:	2 OF 5

REV	DESCRIPTION	DATE	BY

VERTICAL & HORIZONTAL CROSS SECTIONS
NAILING FIN FRAME INSTALLATION
 WOOD FRAMING AND 2X WOOD BUCK



①
 INTERIOR

INSTALLATION ANCHOR. WOOD SCREW SHOWN. SEE INSTALLATION NOTE 3 ON SHEET 1 FOR ANCHOR TYPE REQUIRED.

MIN. EDGE DISTANCE. SEE INSTALLATION NOTE 3 ON SHEET 1.

SEE GENERAL NOTE 7, SHEET 1 FOR GLAZING DETAILS



MIN. EDGE DISTANCE. SEE INSTALLATION NOTE 3 ON SHEET 1.

②
 INTERIOR

INSTALLATION SUBSTRATE BY OTHERS. SEE GENERAL NOTES 2 AND 3 ON SHEET 1.

INSTALLATION ANCHOR. WOOD SCREW SHOWN. SEE INSTALLATION NOTE 3 ON SHEET 1 FOR ANCHOR TYPE REQUIRED.

SURFACE FINISH BY OTHERS

PERIMETER SEAL BY OTHERS
 SURFACE FINISH BY OTHERS

INSTALLATION SUBSTRATE BY OTHERS. SEE GENERAL NOTES 2 AND 3 ON SHEET 1.

MIN. EMBEDMENT, SEE INSTALLATION NOTE 3 ON SHEET 1.

MIN. EMBEDMENT, SEE INSTALLATION NOTE 3 ON SHEET 1.

INTERIOR

③ ④ opp

PERIMETER SEAL BY OTHERS

SEE GENERAL NOTE 7, SHEET 1 FOR GLAZING DETAILS

PROJECT NO. ACE-2021-118

ECO GLASS, LLC
 144 HOPE STREET
 LONGWOOD, FL 32750

TITLE: VERTICAL & HORIZONTAL SECTIONS - NAILING FIN FRAME INSTALLATION

DATE:	7/23/21
DRAWN BY:	RJA
SCALE:	N.T.S.
DRAWING NO.:	ECOGLOSS016
SHEET:	3 OF 5



Robert J. Amoruso, P.E.
 Florida P.E. No. 49752

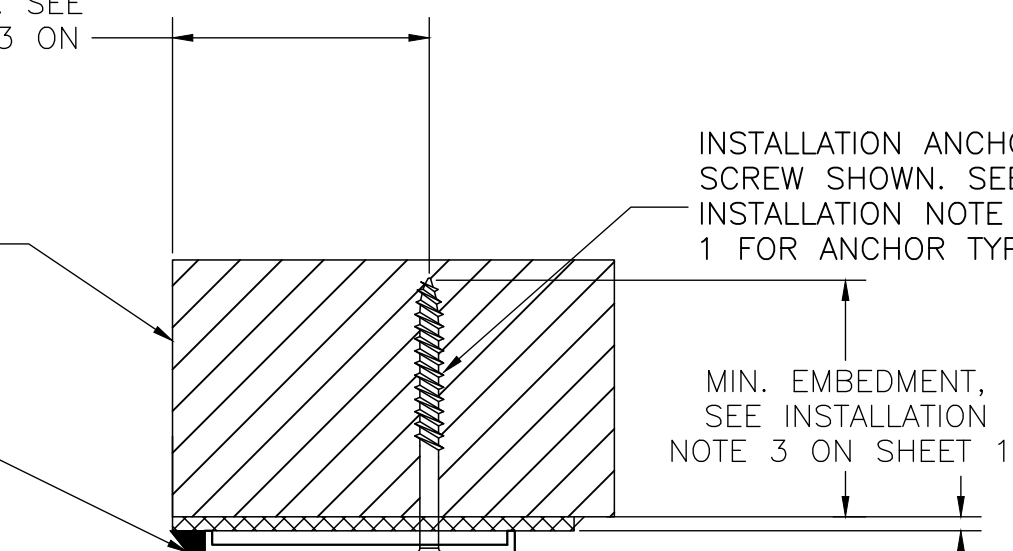
734 S Center St.
 Ormond Beach, FL 32174
 rjaengpe@gmail.com

REV	DESCRIPTION	DATE	BY

MIN. EDGE DISTANCE. SEE
INSTALLATION NOTE 3 ON
SHEET 1.

INSTALLATION
SUBSTRATE BY
OTHERS. SEE
GENERAL NOTES 2
AND 3 ON SHEET 1.

PERIMETER SEAL
BY OTHERS



EXTERIOR

INTERIOR

1/4" MAX.
SHIM SPACE

①

SEE GENERAL NOTE
7, SHEET 1 FOR
GLAZING DETAILS

SEE GENERAL NOTE
7, SHEET 1 FOR
GLAZING DETAILS

EXTERIOR

INTERIOR

1/4" MAX.
SHIM SPACE

②

PERIMETER SEAL
BY OTHERS

INSTALLATION
SUBSTRATE BY
OTHERS. SEE
GENERAL NOTES
2 AND 3 ON
SHEET 1.

MIN. EMBEDMENT,
SEE INSTALLATION
NOTE 3 ON SHEET 1.

INSTALLATION
ANCHOR. WOOD
SCREW SHOWN. SEE
INSTALLATION NOTE 3
ON SHEET 1 FOR
ANCHOR TYPE
REQUIRED.

MIN. EDGE DISTANCE. SEE
INSTALLATION NOTE 3 ON
SHEET 1.

VERTICAL & HORIZONTAL CROSS SECTIONS THROUGH FRAME INSTALLATION

WOOD FRAMING AND 2X WOOD BUCK

MIN. EMBEDMENT,
SEE INSTALLATION
NOTE 3 ON SHEET 1.

MIN. EDGE DISTANCE.
SEE INSTALLATION
NOTE 3 ON SHEET 1.

INSTALLATION SUBSTRATE BY
OTHERS. SEE GENERAL NOTES 2
AND 3 ON SHEET 1.

PERIMETER SEAL
BY OTHERS

1/4" MAX.
SHIM SPACE

INSTALLATION ANCHOR. WOOD
SCREW SHOWN. SEE
INSTALLATION NOTE 3 ON SHEET
1 FOR ANCHOR TYPE REQUIRED.

INTERIOR

③ ④ opp

EXTERIOR

SEE GENERAL
NOTE 7, SHEET 1
FOR GLAZING
DETAILS

PROJECT NO. ACE-2021-118

ECO GLASS, LLC
144 HOPE STREET
LONGWOOD, FL 32750

TITLE: VERTICAL & HORIZONTAL SECTIONS - THROUGH FRAME INSTALLATION

DRAWN BY: RJA DATE: 7/23/21

SCALE: N.T.S. DRAWING NO: ECOGLASS016

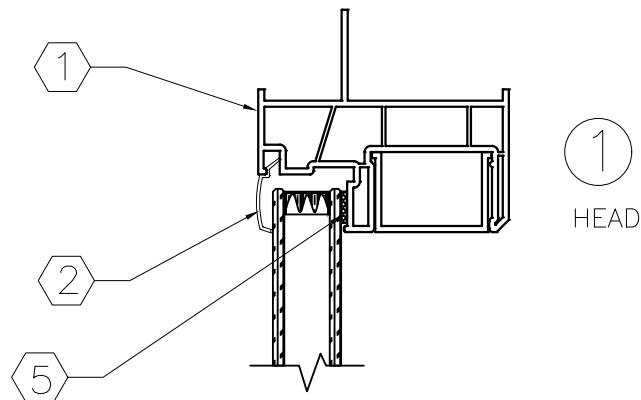
REV: --- SHEET: 4 OF 5



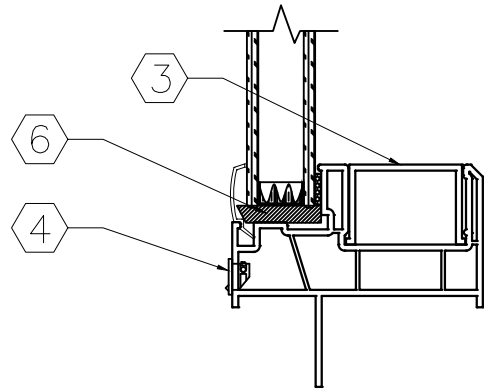
Robert J. Amoruso, P.E.
Florida P.E. No. 49752

734 S Center St.
Ormond Beach, FL 32174
rjaengpe@gmail.com

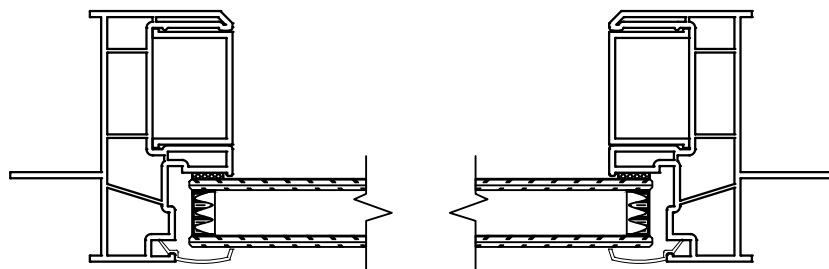
SERIES "NOVA" FIXED WINDOW



1
HEAD



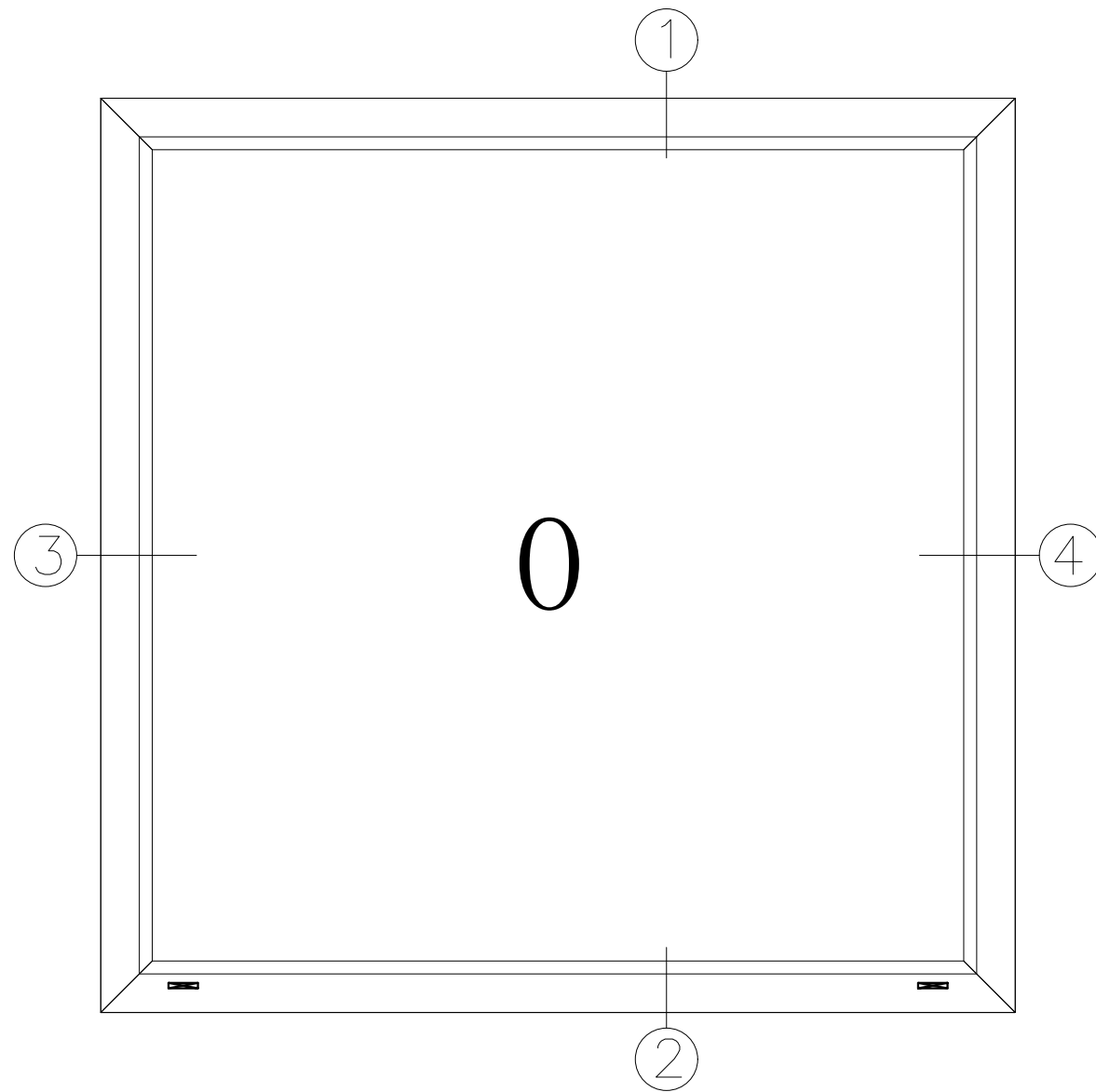
2
SILL



3
LEFT JAMB

4
RIGHT JAMB

BOM					
INDEX	PART NUMBER	DESCRIPTION	QTY	VENDOR	MATERIAL
1	FE-8003	IM-XO FRAME W/ RETRO-FIT FIN	4	Value Wholesaler	PVC
2	FE-8012	GLAZING BEAD	4	Value Wholesaler	PVC
3	FE-8008	COVER	4	Value Wholesaler	PVC
4	1267-0000	WEEP HOLE COVER	2	Value Wholesaler	PVC
5	DT-18	Double-tape 1/6"x3/8"x150"(32 Roll/box)	-	Value Wholesaler	-
6	SB-001 and SB-003	SETTING BLOCK	6	Value Wholesaler	PVC



PROJECT NO. ACE-2021-118

ECO GLASS, LLC
144 HOPE STREET
LONGWOOD, FL 32750

TITLE: SERIES "NOVA" FIXED WINDOW
COMPONENTS - BILL OF MATERIALS & ELEVATION



Robert J. Amoruso, P.E.
Florida P.E. No. 49752

734 S Center St.
Ormond Beach, FL 32174
rjaengpe@gmail.com

DRAWN BY: RJA
DATE: 7/23/21
SCALE: N.T.S.
REV: ---

DRAWING NO: ECOGLASS016
SHEET: 5 OF 5

DESCRIPTION
REV
DATE
BY